



## Sliding webbing winch

Prod. #: **784-0597**

For 2", 3" and 4" straps.  
Working load limit:  
2,500 kg/5,500 lbs.

Meets 905 and WSTDA-T3 requirements



## Sliding webbing winch

Prod. #: **784-5448**

For 2", 3" and 4" straps.  
Working load limit:  
2,450 kg/5,400 lbs.

Meets 905 and WSTDA-T3 requirements



## Low profile weld-on webbing winch

Prod. #: **784-7438**

For 2", 3" and 4" straps.  
Working load limit:  
2,500 kg/5,500 lbs.

Meets 905 and WSTDA-T3 requirements



### Lashing winch

Prod. #: **784-2782**

For 2" webbing  
Working load limit:  
1,513 kg / 3,335 lbs.



### Winch bars

Prod. #: **784-3458** Black Length: 35"  
Prod. #: **784-5416** Chrome Length: 32 1/2"  
(Larger handle)



### Combination winch bar

Prod. #: **784-1605**

Painted  
Modified handle to release load binders.  
Length: 39"



### Plastic corner protector

Prod. #: **784-8495**

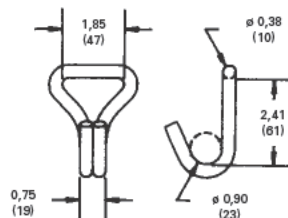
Designed to protect both cargo and strap.  
For 2" - 4" webbing



### 2" Narrow hook

Prod. #: **784-1387**

Working load limit:  
757 kg / 1,670 lbs.



REV. 04/2018

\* Personalize your straps with your logo .

## Winch tracks

Prod. #: **784-0866** Steel  
Prod. #: **784-1531** Aluminum

1/4" thick track X 6' long  
To slide winch in desired position



## Winch straps with hook

Prod. #: **784-1806** 20' L  
Prod. #: **784-0785** 30' L

2" wide straps  
Working load limit: 757 kg/ 1,670 lbs.



## Winch straps with flat hook

Prod. #: **784-6804** 2" W  
Prod. #: **784-6730** 3" W  
Prod. #: **784-6924** 4" W

30' long straps  
2": Working load limit: 1,513 kg/ 3,335 lbs.  
3": Working load limit: 2,450 kg/ 5,400 lbs.  
4": Working load limit: 2,450 kg/ 5,400 lbs.



## Winch strap with chain and hook

Prod. #: **784-0009**

3" wide straps  
30' long  
Working load limit: 2,450 kg/5,400 lbs.



\* Personalize your straps with your logo .

### Winch straps with flat hook

Prod. #: 784-1563

30' long  
3" webbing  
Working load limit: 2,450 kg/5,400 lbs.

Superior built, specially made to keep their structure throughout their use.



### Winch strap with chain and hook

Prod. #: 784-1595

30' long  
3" webbing  
Working load limit: 2,450 kg/5,400 lbs.

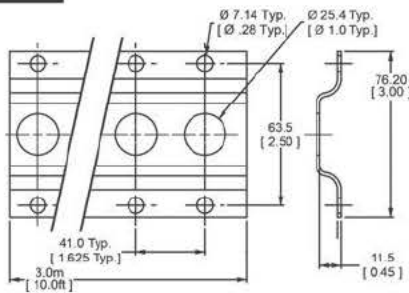
Superior built, specially made to keep their structure throughout their use.



### Track with round holes

Prod. #: 784-6000

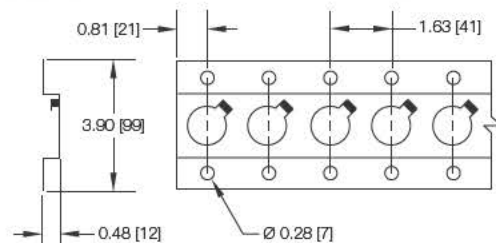
1" hole  
10' long X 3"  
0.74" thick.  
Galvanized steel track  
Minimum yield: 43,000 psi



### Track with notched holes

Prod. #: 784-0633

1" notched hole  
10' long  
High strength galvanized steel.  
12 gauge  
Minimum yield: 43,000 psi



REV. 11/2011

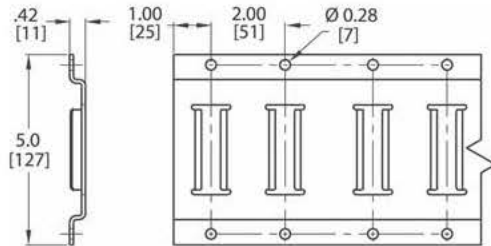
\* Personalize your straps with your logo .

## Series E horizontal track

Prod. #: **784-3909**



10' long  
High strength galvanized steel.  
12 gauge  
Minimum yield: 50,000 psi

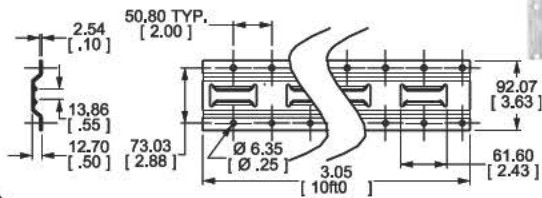


## Series E vertical track

Prod. #: **784-6025**



10' long  
<sup>31</sup>/<sub>64</sub>" thick  
Galvanized steel  
Minimum yield: 43,000 psi



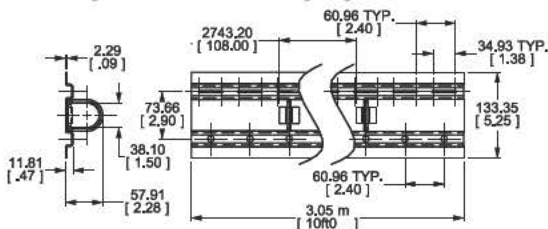
## Multi-purpose versatile rail system

Prod. #: **784-6258**



- Provides 10 convenient tie anchors
- Receives shoring bars

Track: 10' length x 5.25" wide  
Hot rolled galvanized steel 16 gauge.



## Rope tie-offs

Rope rings on a 6" strap. — Strap width: 2"

| Prod. #         | For track            | Working load limit |
|-----------------|----------------------|--------------------|
| <b>784-3916</b> | 1" dia. holes        | 305 kg/ 670 lbs.   |
| <b>784-6917</b> | Serie F              | 266 kg/ 586 lbs.   |
| <b>784-3049</b> | Series E or A (ill.) | 380 kg/ 835 lbs.   |



## Logistic strap with cam buckle

Prod. #: **784-1122** 12' L

Prod. #: **784-1147** 16' L

2" strap — 4' fixed end — Series E or A  
Working load limit: 380 kg / 835 lbs.



## Logistic strap with ratchet

Prod. #: **784-9040**

2" strap — 16' long — Series E or A  
Working load limit: 454 kg / 1,000 lbs.



CARGO CONTROL SUPPLIES

K

\* Personalize your straps with your logo .

**Ratchet strap and wire hook**

Prod. #: **784-0922**

1" strap  
13' long

Working load limit : 76 kg/ 167 lbs.  
Automotive / recreational strap



**Ratchet strap with wire hook**

Prod. #: **784-1669**

1" strap  
16' long

Working load limit : 380 kg/ 835 lbs.  
Automotive / recreational strap



**Ratchet straps with wire hook**

2" strap

| Prod. #  | Long | Length of fixed end | Handle        | Working load limit  |
|----------|------|---------------------|---------------|---------------------|
| 784-0760 | 12'  | 48"                 | Standard      | 757 kg/ 1,670 lbs.  |
| 784-0707 | 16'  | 48"                 | Standard      | 757 kg/ 1,670 lbs.  |
| 784-0739 | 20'  | 18"                 | Standard      | 757 kg/ 1,670 lbs.  |
| 784-0665 | 20'  | 48"                 | Standard      | 757 kg/ 1,670 lbs.  |
| 784-0908 | 20'  | 18"                 | Long and wide | 757 kg/ 1,670 lbs.  |
| 784-2510 | 30'  | 18"                 | Standard      | 757 kg/ 1,670 lbs.  |
| 784-7011 | 30'  | 18"                 | Wide          | 757 kg/ 1,670 lbs.  |
| 784-1651 | 30'  | 18"                 | Wide          | 1,513 kg/3,335 lbs. |



**Ratchet strap with flat hook**

Prod. #: **784-0640**

2" strap  
20' long  
18" fixed end  
Long and wide handle

Working load limit: 1,513 kg/3,335 lbs.



REV. 06/2012

## 1" wide ratchet

Prod. #: **784-1348**

Working load limit:  
666 kg/1,466 lbs.



## 2" wide ratchet, long handle

Prod. #: **784-5036**

Working load limit:  
1,666 kg/3,666 lbs.



## 2" wide ratchet, short handle

Prod. #: **784-8528**

Working load limit:  
1,660 kg/3,660 lbs.



## Beam socket

Prod. #: **784-0457**

For use with standard commercial  
grade 2 X 4 or 2 X 6 lumber  
Zinc plated  
For slotted track, series A or E



CARGO CONTROL SUPPLIES

K



### Round shoring bar

Prod. #: **784-0697** Adjustable: 92" to 106"



For 1" diameter holes  
Round shoring bars with adjustable spring. — 1 5/8" diameter bar, for track with round holes.  
Shoring/horizontal or vertical rating: 227 kg/500 lbs. uniformly distributed working load limit.



### Heavy-duty series F square shoring bar

Prod. #: **784-1059** Adjusts from: 81" to 117"



Heavy-duty 2" square shoring bar  
Zinc plated steel  
For 1" diameter holes

Shoring/horizontal or vertical rating: 454 kg/1,000 lbs. uniformly distributed working load limit.



### Series E or A aluminum beam

Prod. #: **784-0055** For inside trailer width of: 92" to 102,9"



Aluminum decking/shoring beam

Shoring/horizontal or vertical rating: 999 kg/ 2,200 lbs. uniformly distributed working load limit.



### Heavy-duty series E or A aluminum beam

Prod. #: **784-2895** For inside trailer width of: 91,9" to 102,9"



Heavy-duty decking/shoring beam

Decking/vertical rating: 1,363 kg/ 3,000 lbs. uniformly distributed working load limit.  
Shoring/horizontal rating: 1,136 kg/ 2,500 lbs. uniformly distributed working load limit.



### Shoring bar with rubber pads

Prod. #: **784-0023** Adjusts from: 89,75" to 104,5"



Aluminum shoring bar  
with ratchet and  
anti-slip rubber pads.



REV. 04/2013

## Rubber tie-downs

Rubber tie-downs with reinforced ends specially treated for the Canadian climate and to withstand ultraviolet rays. Supplied with 2 "S" hooks. 0.748" wide X 0.2656" thick

| Prod #   | Length   | Box qty |
|----------|----------|---------|
| 774-1009 | 9"       | 50      |
| 774-1015 | 15"      | 50      |
| 774-1021 | 21"      | 50      |
| 774-1031 | 31"      | 50      |
| 774-1041 | 41"      | 50      |
| 774-0050 | "S" hook | 50      |

Sold per box.



## Rubber elastic cord

Prod. #: **774-0043** Elastic cord - Roll: 150'

7/16" diameter rubber elastic cord. Used in a single continuous length through eyelets to tie down tarpaulins. Can be cut to desired length.  $\times$  Min.: 10'



## Rope Ratchets

250 lbs. maximum load rating ratchet

| Prod. #  |                                       |
|----------|---------------------------------------|
| 784-2380 | Ratchet with 3/8" x 8' rope and hook  |
| 784-7212 | Ratchet with 3/8" x 12' rope and hook |

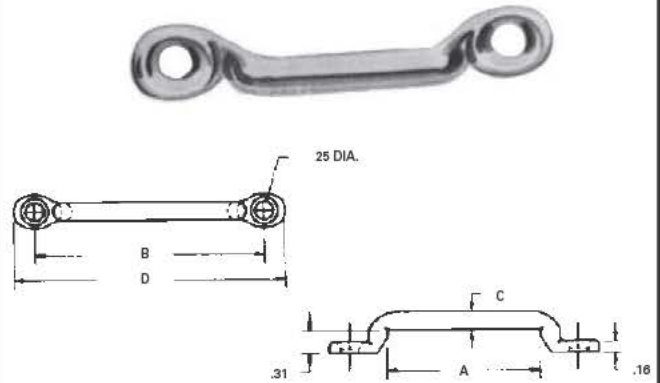
- 3/8" #6 polypropylene braided rope
- Tension is released simply by pressing the push-button
- Unlike elastic cords, you can pull as hard as you like

• Some parts may be lead time items. Consult our sales department for availability.



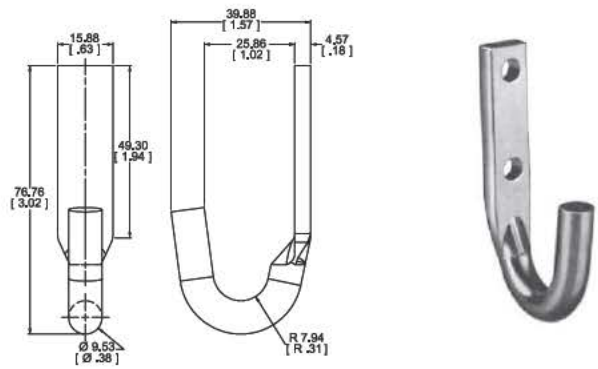
Footman loops in zinc plated steel

| Prod. #: | A     | B     | C     | D     |
|----------|-------|-------|-------|-------|
| 682-0987 | 1.12" | 2.13" | 1/4"  | 2.64" |
| 682-0994 | 1.38" | 2.25" | 1/4"  | 2.81" |
| 682-1109 | 1.62" | 2.62" | 1/4"  | 3.19" |
| 682-1204 | 2.09" | 3.13" | 5/16" | 3.64" |



Rope hooks

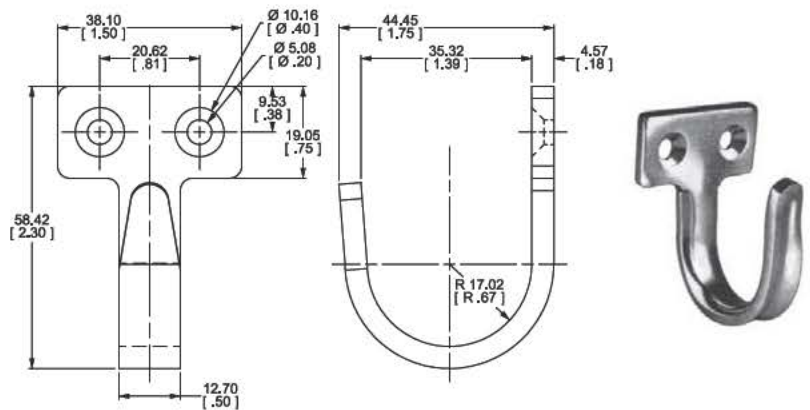
Prod. #: **783-5009** Zinc plated with holes  
Prod. #: **783-8881** Plain steel without holes



Rope hook

Prod. #: **771-5248**

Zinc plated



CARGO CONTROL SUPPLIES

K

REV. 01/2011

## Ratchet load binder

Prod. #: **780-1176**

For  $\frac{5}{16}$ " or  $\frac{3}{8}$ ", grade 70 chain  
Working load limit 2,450 kg/ 5,400 lbs.



## Ratchet load binder

Prod. #: **780-1190**

For  $\frac{3}{8}$ " or  $\frac{1}{2}$ ", grade 70 chain  
Working load limit 4,170 kg/ 9,200 lbs.

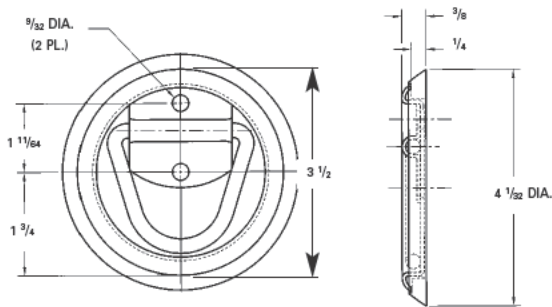


REV. 01/2012

Rope ring

Prod. #: **783-1043** Complete

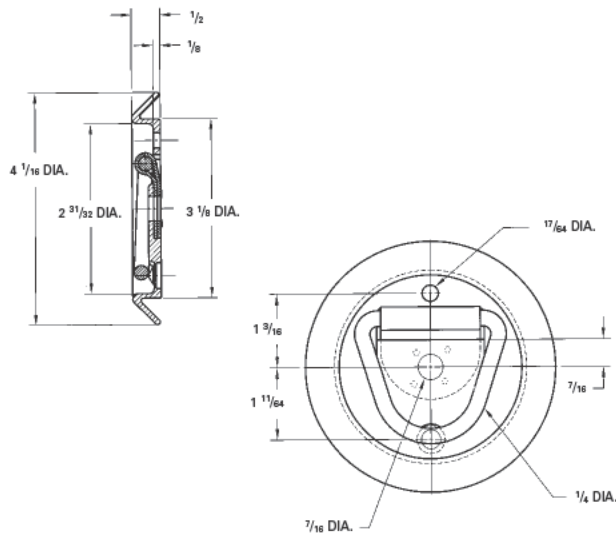
Zinc plated recessed steel cup with a beveled plastic spacer for surface mounting on FRP panels.  
Can be used without spacer for recessed mounting.  
Working load limit: 181 kg/400 lbs.



Rope ring

Prod. #: **783-1075**

Economy model consisting of a plastic cup and a  $\frac{1}{4}$ " dia. steel ring for surface mounting on FRP panels.  
Working load limit: 227 kg/500 lbs.

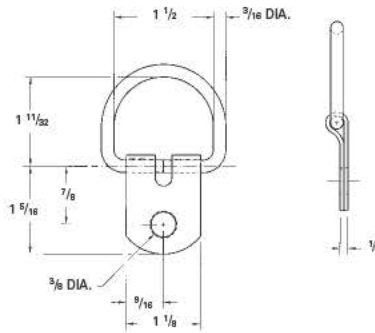


REV. 01/2011

## Stainless steel rope ring

Prod. #: **783-1082**

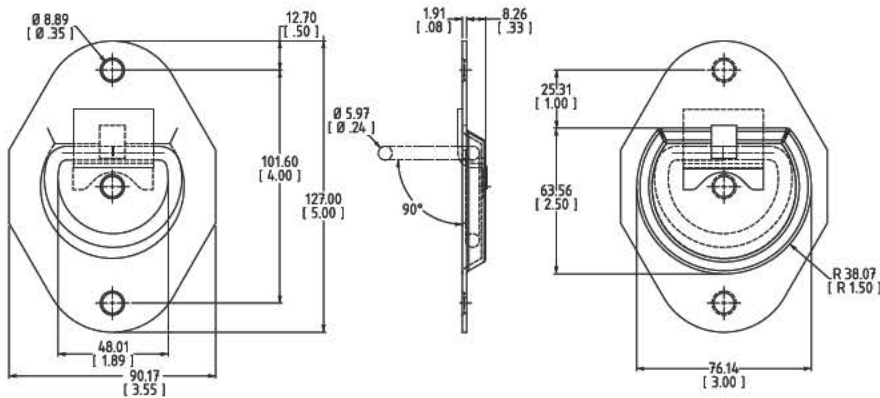
Stainless steel ring and bracket.  
Working load limit: 181 kg/ 400 lbs.



## Rope ring

Prod. #: **783-0057**

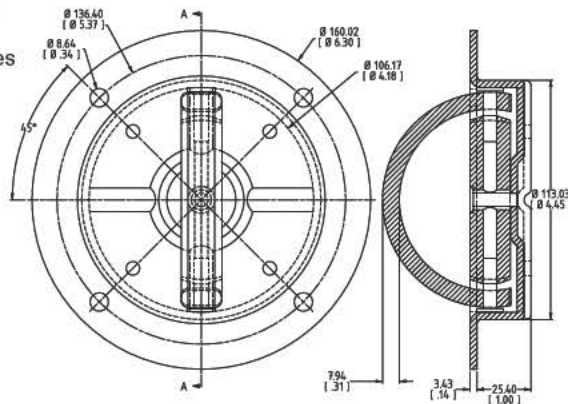
Zinc plated  
Working load limit: 181 kg/ 400 lbs.



## Heavy-duty rope ring

Prod. #: **783-2008**

Zinc plated with drain holes  
Working load limit:  
907 kg / 2,000 lbs.



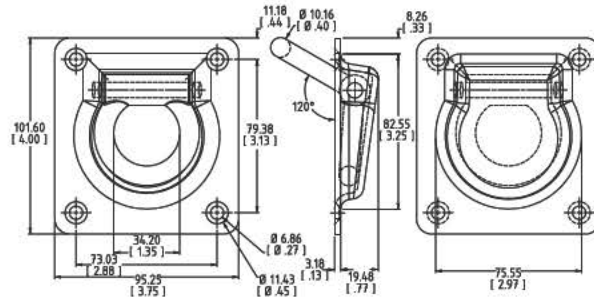
CARGO CONTROL SUPPLIES

K

Rope ring

Prod. #: 783-5087

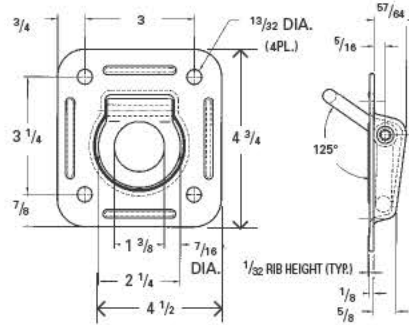
Zinc plated - Anti-rattle  
Maximum load:  
907 kg / 2,000 lbs.



Rope ring

Prod. #: 783-0184

Zinc plated with  
large flange  
Maximum load:  
745 kg / 1,666 lbs.



Forged lashing "D" rings



Forged lashing "D" rings with bracket.

| Prod. #:    | Dimensions             | Working load limit     |
|-------------|------------------------|------------------------|
| a) 783-4189 | 0,5" x 2,5" x 2,375"   | 1 830 kg / 4 080 lbs.  |
| b) 783-4171 | 0,5" x 2,5" x 2,375"   | 1 830 kg / 4 080 lbs.  |
| c) 783-4125 | 0,625" x 4,25" x 4,25" | 3 175 kg / 7 000 lbs.  |
| d) 783-4100 | 0,75" x 4,5" x 4,5"    | 4 990 kg / 11 000 lbs. |
| e) 783-4118 | 1" x 6" x 5"           | 8 770 kg / 19 333 lbs. |

REV. 08/2014

$\square = 1/4"$