



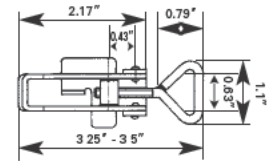
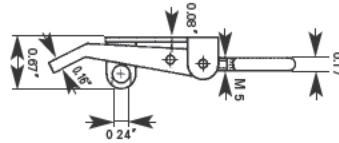
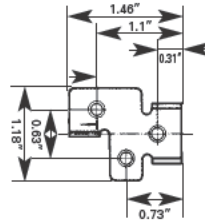
VARIOUS HARDWARE

H

Adjustable draw latches

Prod. #: **772-0720** Galvanized steel
Prod. #: **772-0738** Stainless steel

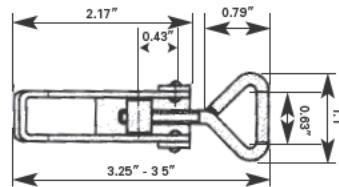
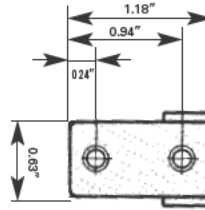
Padlockable
Countersunk holes
Cap.: 220 lbs.



Adjustable draw latches

Prod. #: **772-0135** Galvanized steel
Prod. #: **772-0174** Stainless steel

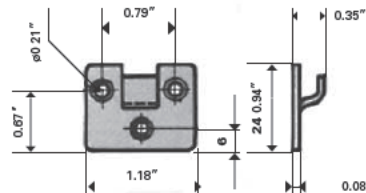
Countersunk holes
Cap.: 220 lbs.



Keeper plates

Prod. #: **772-0167** Galvanized steel
Prod. #: **772-0181** Stainless steel

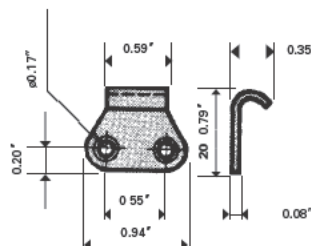
Countersunk holes



Keeper plates

Prod. #: **772-0488** Galvanized steel
Prod. #: **772-0819** Stainless steel

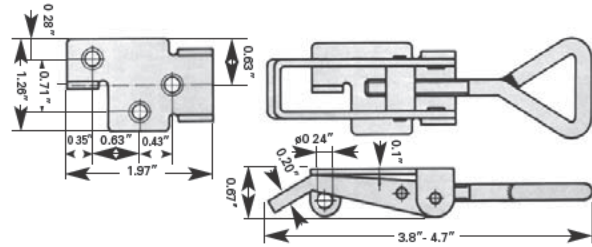
Countersunk holes



Adjustable draw latches

Prod. #: **772-0495** Galvanized steel
Prod. #: **772-0632** Stainless steel

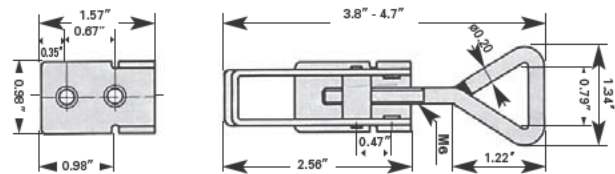
Padlockable
Countersunk holes
Cap.: 660 lbs.



Adjustable draw latches

Prod. #: **772-1058** Galvanized steel
Prod. #: **772-0978** Stainless steel

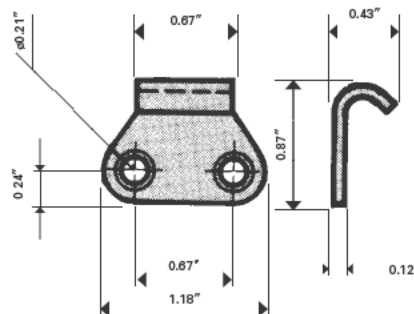
Countersunk holes
Cap.: 660 lbs.



Keeper plates

Prod. #: **772-0544** Galvanized steel
Prod. #: **772-0551** Stainless steel

Countersunk holes



REV. 01/2011

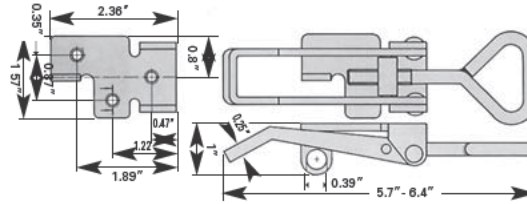
VARIOUS HARDWARE



Adjustable draw latches

Prod. #: **772-0128** Galvanized steel
Prod. #: **772-0199** Stainless steel

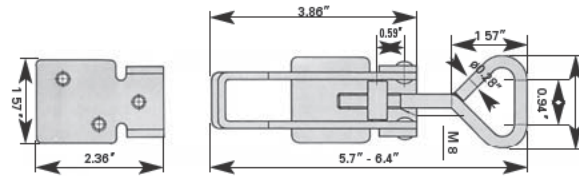
Padlockable
Countersunk holes
Cap.: 1,100 lbs.



Adjustable draw latches

Prod. #: **772-0671** Galvanized steel
Prod. #: **772-0689** Stainless steel

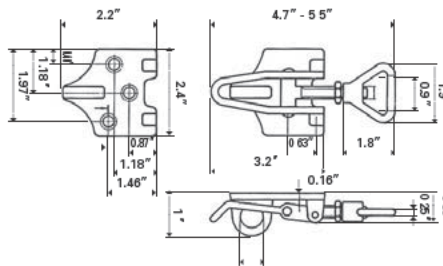
Countersunk holes
Cap.: 1,100 lbs.



Adjustable draw latch

Prod. #: **772-0368** Galvanized steel

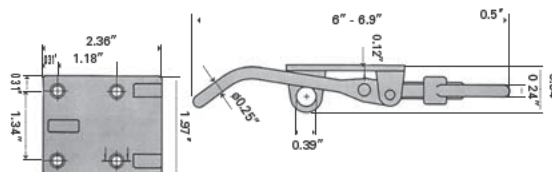
Padlockable
Countersunk holes
Cap.: 1,100 lbs.



Adjustable draw latch

Prod. #: **772-0590** Galvanized steel

Padlockable
Countersunk holes
Cap.: 1,320 lbs.

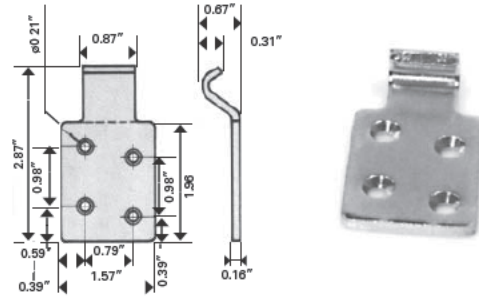


REV. 01/2011

Keeper plate

Prod. #: **772-8695** Galvanized steel

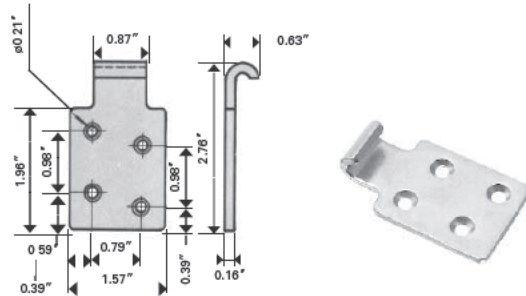
Countersunk holes



Keeper plates

Prod. #: **772-0752** Galvanized steel
Prod. #: **772-2319** Stainless steel

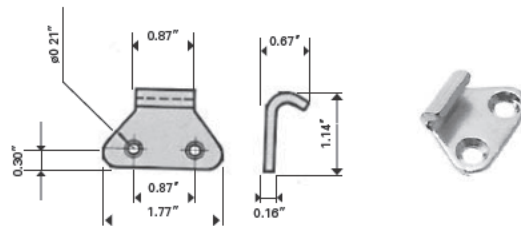
Countersunk holes



Keeper plates

Prod. #: **772-0142** Galvanized steel
Prod. #: **772-0209** Stainless steel

Countersunk holes



REV. 04/2013

VARIOUS HARDWARE

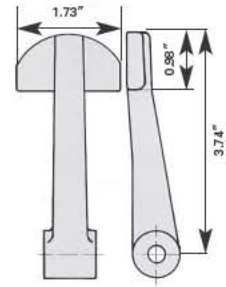
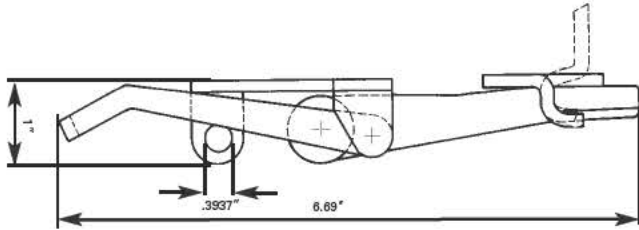
H



Rubber draw latch

Prod. #: 772-0569

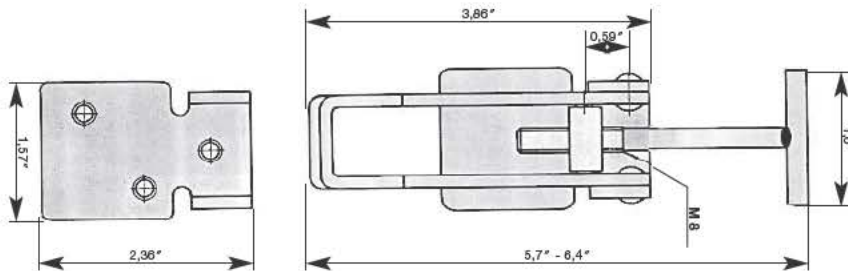
Padlockable
Galvanized steel
Cap.: 100 lbs.



Adjustable draw latch

Prod. #: 772-0505

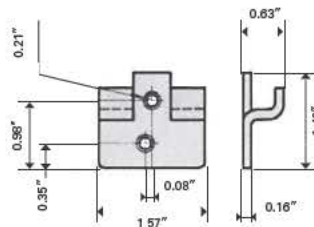
Galvanized steel
Countersunk holes
Cap.: 1 100 lbs.



Keeper plate

Prod. #: 772-0576

Galvanized steel
Countersunk holes



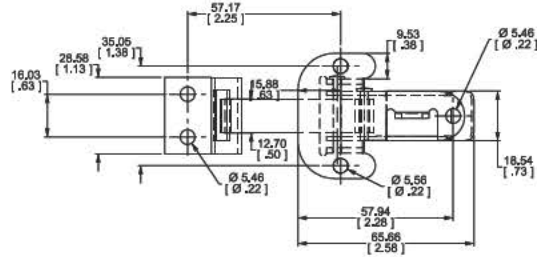
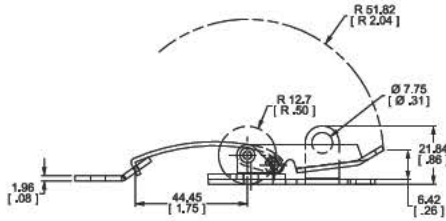
REV. 01/2011

Over-center latch

Prod. #: 776-5168 Catch, zinc plated
Prod. #: 772-0079 Keeper plate, zinc plated



Padlockable
Keeper plate sold separately

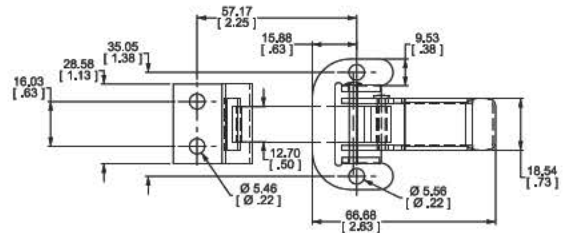
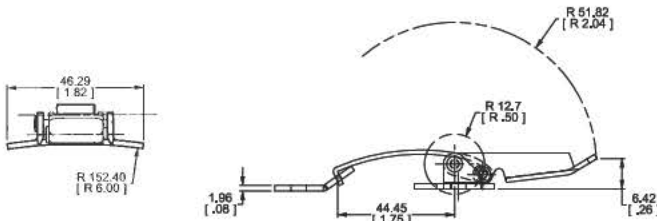


Over-center latch

Prod. #: 772-0946 Catch, zinc plated
Prod. #: 772-0079 Keeper plate, zinc plated



With curved base
Keeper plate sold separately

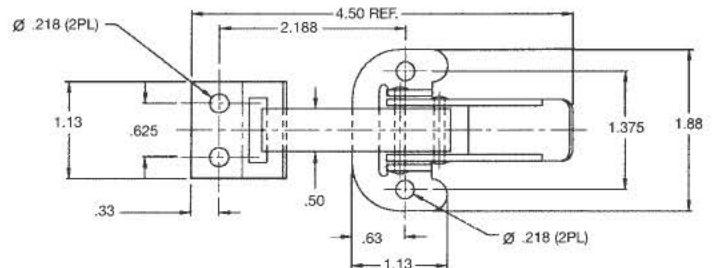
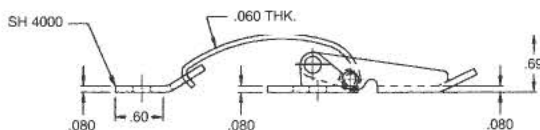


Over-center latches

Prod. #: 772-0086 Catch. Zinc plated
Prod. #: 772-0985 Catch. Stainless steel
Prod. #: 772-0079 Keeper plate. Zinc plated
Prod. #: 772-2157 Keeper plate. Stainless steel



Keeper plate sold separately

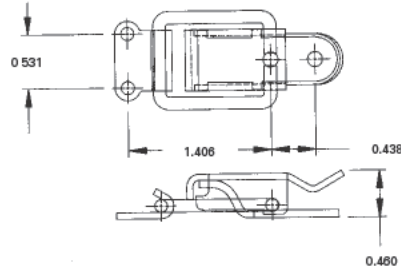


REV. 01/2011

Pull-down latch

Prod. #: **776-4407** Catch. Zinc plated
Prod. #: **776-2329** Keeper plate. Zinc plated

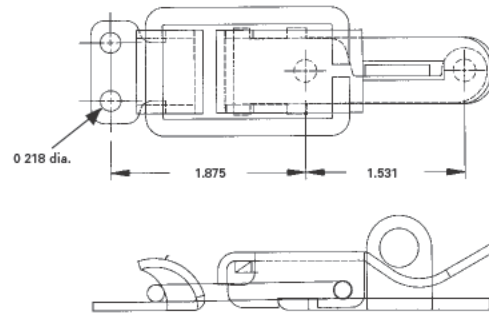
Keeper plate sold separately



Pull-down latches

Prod. #: **776-2657** Complete kit. Zinc plated
Prod. #: **776-3062** Complete kit. Stainless steel

Padlockable

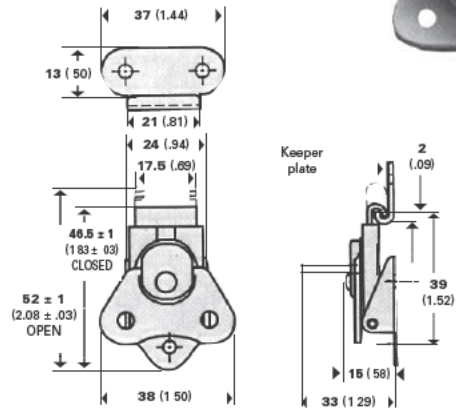


REV. 01/2011

Link lock stainless draw latch

Prod. #: 776-2375 Catch
Prod. #: 776-2382 Keeper plate

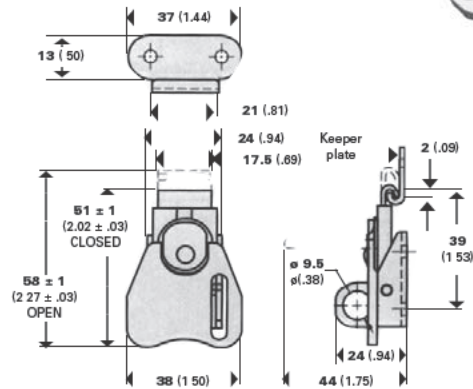
Link lock rotary action draw latch
Small size
Cap.: 450 lbs.



Link lock draw latch

Prod. #: 776-3033 Locking catch with loop
Prod. #: 776-4220 keeper plate

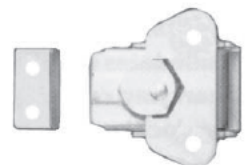
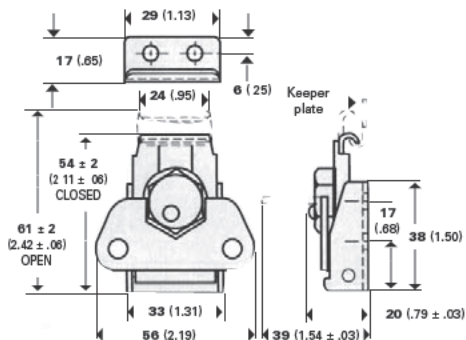
Padlockable
Link lock rotary action draw latch
Zinc plated
Cap.: 450 lbs.



Link lock draw latch

Prod. #: 776-3001 Catch
Prod. #: 776-2992 Striker plate

Link lock rotary action draw latch
Medium size
Zinc plated
Cap.: 600 lbs.



REV. 01/2011

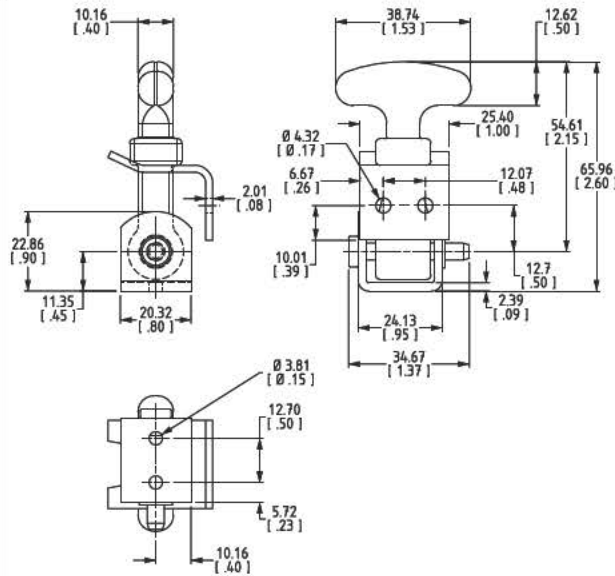


Rubber hood fasteners

Prod. #: **772-0054** Zinc plated
 Prod. #: **772-1611** Stainless steel

Dimension: 2.15"

Minimum of 20

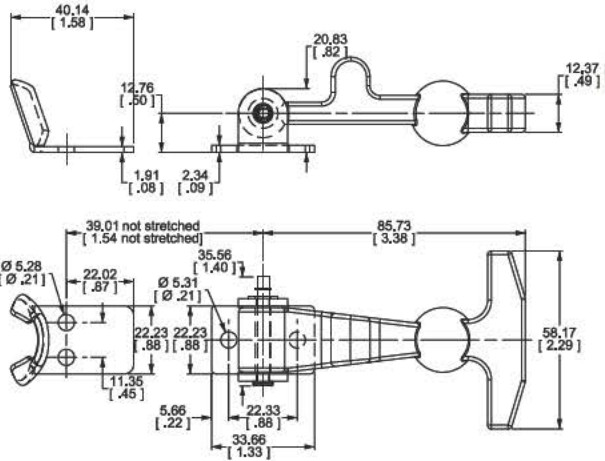


Rubber hood fastener

Prod. #: **772-1636** Stainless steel

Dimension: 3.38"

Minimum of 20

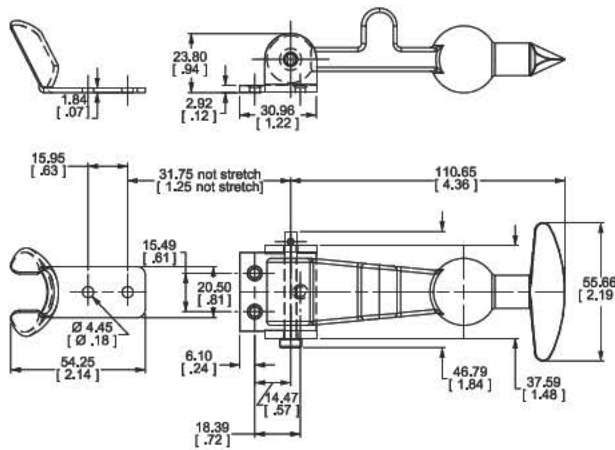


Rubber hood fasteners

Prod. #: **772-0008** Zinc plated
 Prod. #: **772-1604** Stainless steel

Dimension: 4.36"

Minimum of 20

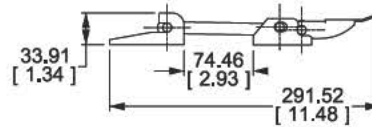
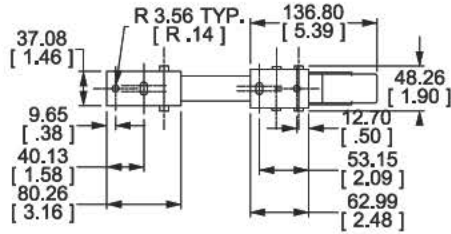


REV. 09/2012

Stainless steel rubber hood fastener

Prod. #: 772-1227

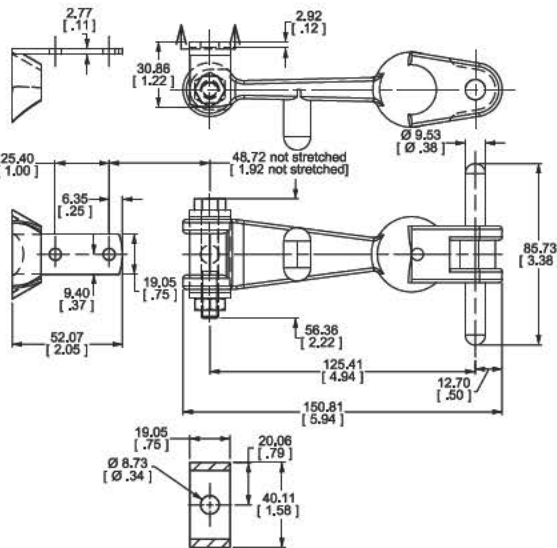
Stainless steel
Dimension: 6.50"



Rubber hood fastener

Prod. #: 772-1192

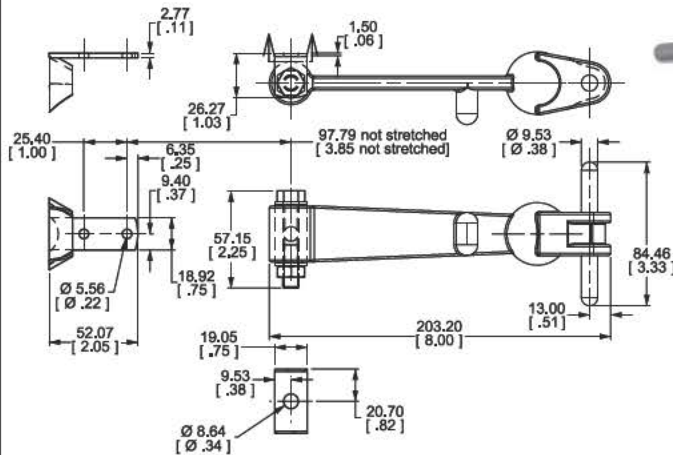
Zinc plated
Dimension: 5.94"



Rubber hood fastener

Prod. #: 772-1308

Zinc plated
Dimension: 8"

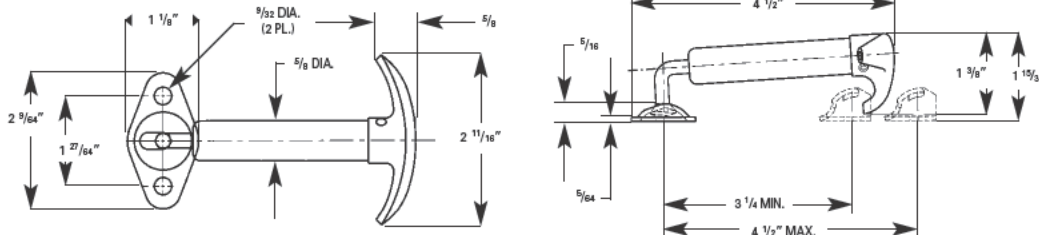


REV. 01/2011

Ram horn draw latch

Prod. #: 772-0992

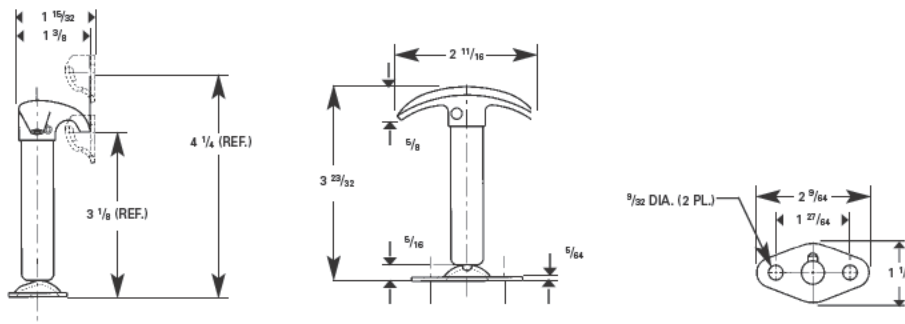
Finish: Black enamel
90° Model
Complete with keeper



Ram horn draw latch

Prod. #: 772-0093

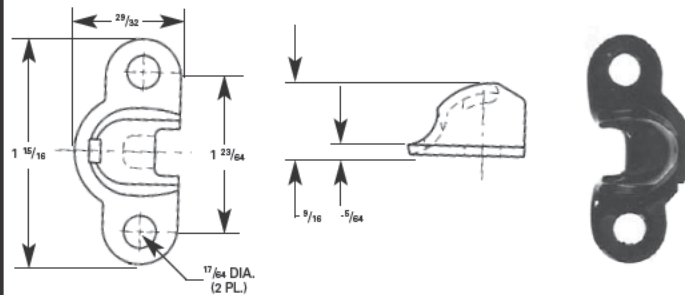
Finish: Black enamel
Complete with keeper plate



Keeper bracket

Prod. #: 772-0110

Replacement for 772-0992 and 772-0093

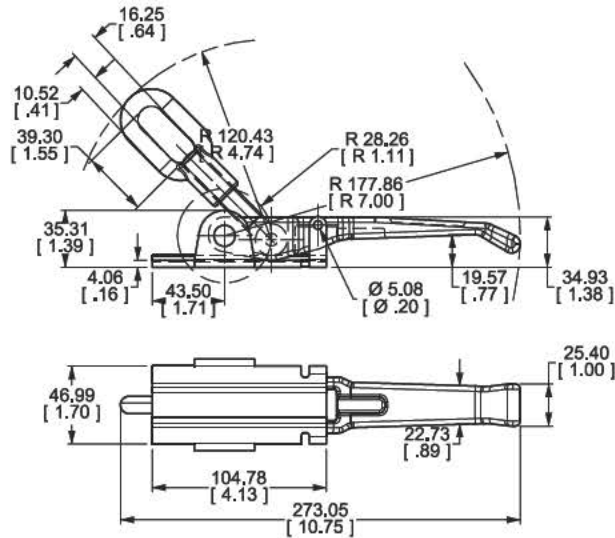


REV. 01/2011

Stake and dump body latch

Prod. #: **782-0002**

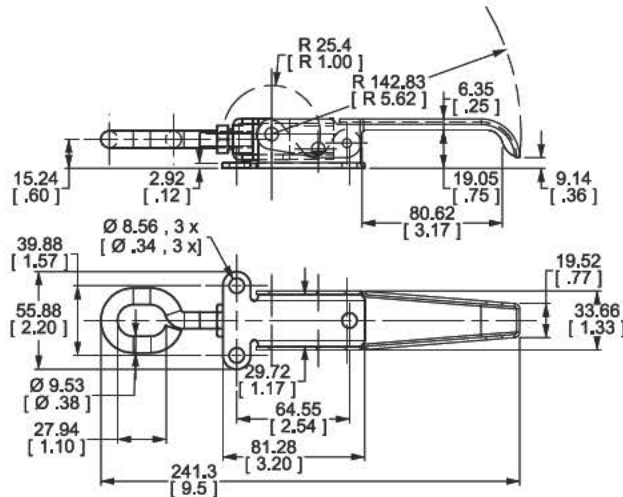
Heavy-duty model
Adjustable and weldable
Forged steel
Cap.: 2,272 kg / 5,000 lbs.



Commercial body latch

Prod. #: **782-0034**

Adjustable model for commercial vehicles and farm equipment as well as containers, mold forms, etc.
Zinc plated

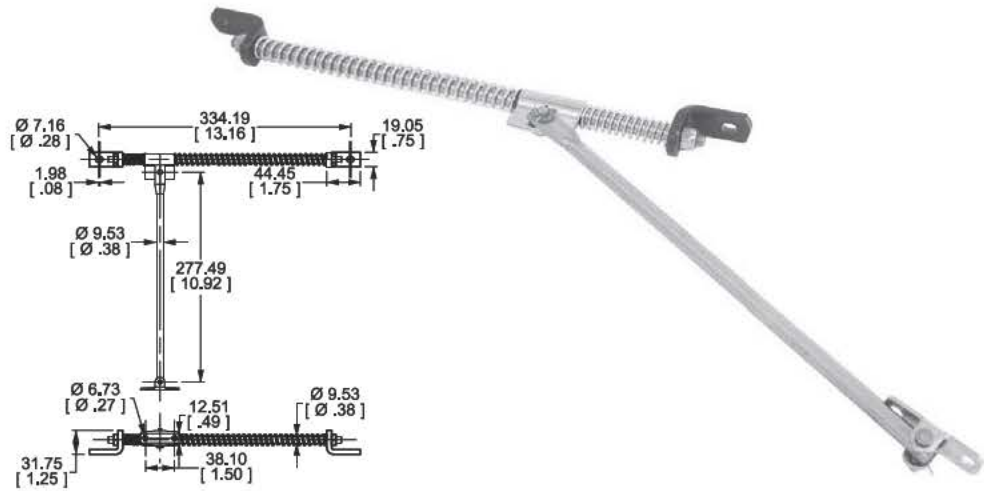


REV. 01/2011

Spring-loaded door stopper

Prod. #: 706-0129

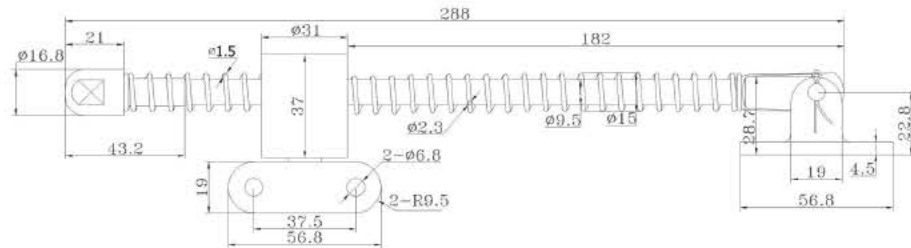
Polished stainless steel springs and rod assembly. 30 lbs. spring tension. Keeps the door open and assists in closing action.



Spring loaded adjustable door stopper

Prod. #: 706-0094

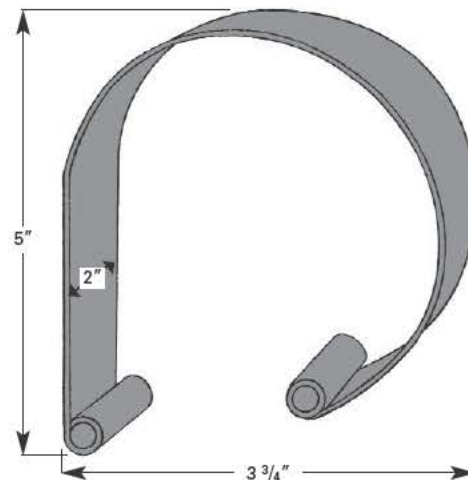
Polished stainless steel springs and rod 15 lbs. spring tension. Single rod allows easy door adjustment.



Flat grasshopper spring

Prod. #: 777-0009

Holds compartment door closed or open. Plain steel

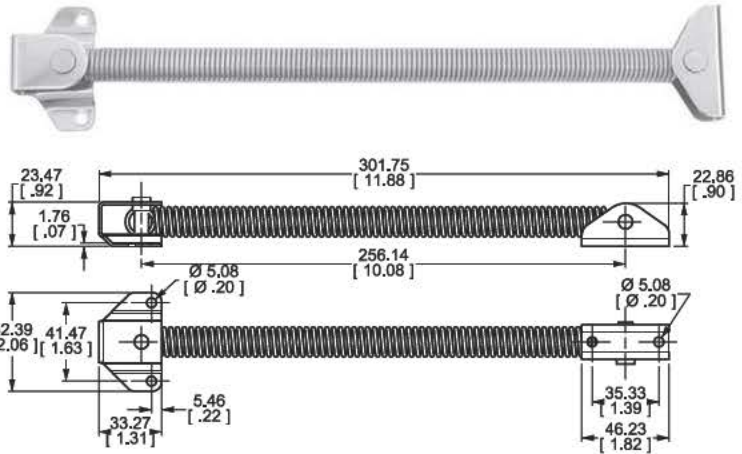


REV. 11/2015

Hatch holder

Stainless steel

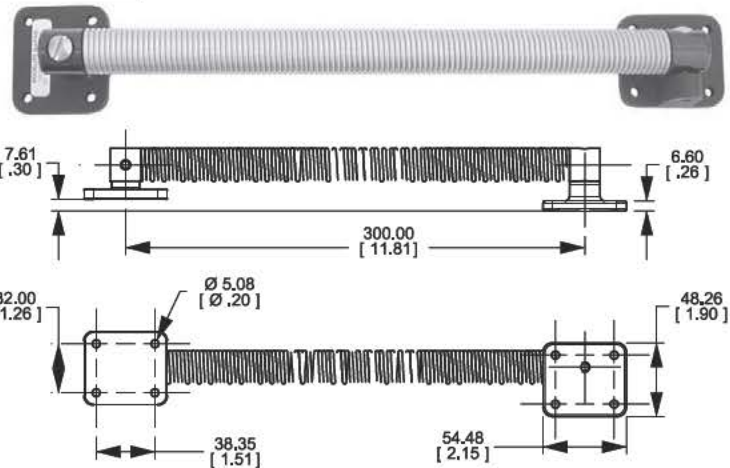
Prod. #	Length	Capacity	Options
706-2782	10"	45 lbs.	Int. cable



Hatch holder

Stainless steel

Prod. #	Length	Capacity
706-1683	12"	100 lbs.



Telescopic door supports

Zinc plated

Automatically locks in open position. To close, simply lift cover slightly. Nylon washer at each pivot point.

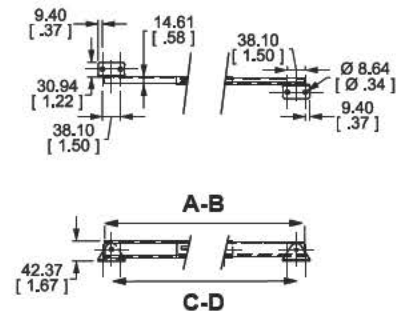
A type brackets.

600 lbs. capacity

Mounting bracket

Steel: 12 gauge — Holes: 11/32"

Prod. #	Overall length		Center closed C	Center open D
	closed A	open B		
777-9107	8"	12,50"	6 3/4"	11 1/4"
777-9114	10"	16,38"	8 3/4"	15 1/4"
777-9121	12"	20,38"	10 3/4"	19 1/4"

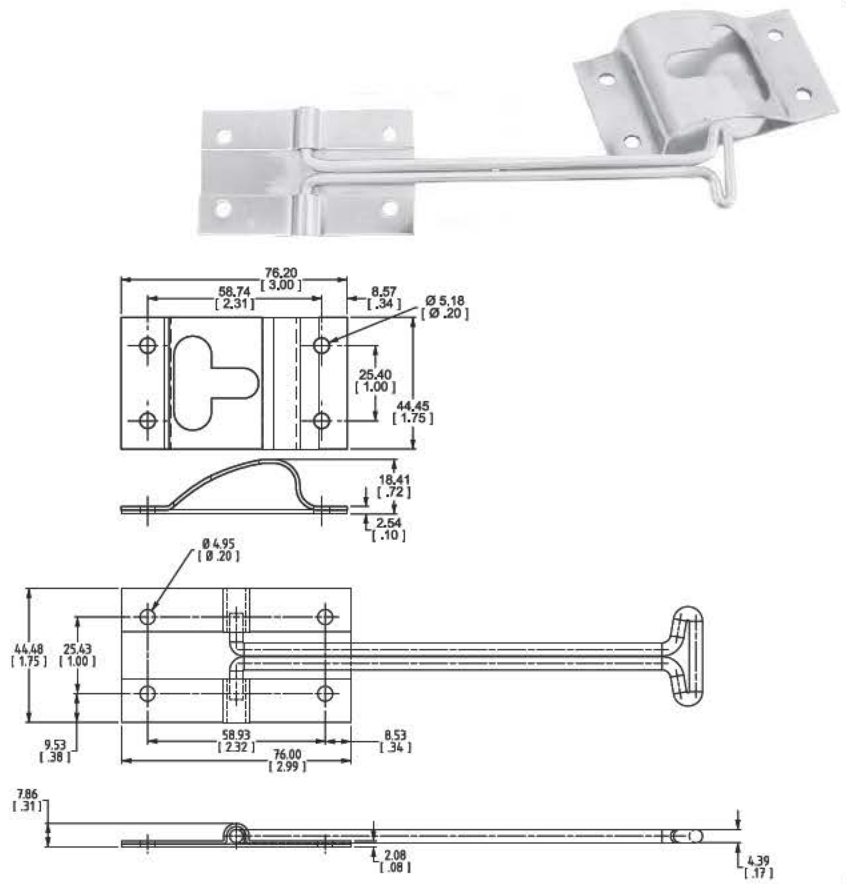


REV. 01/2011

Wire type door holders

Complete package
Keeper without retaining spring

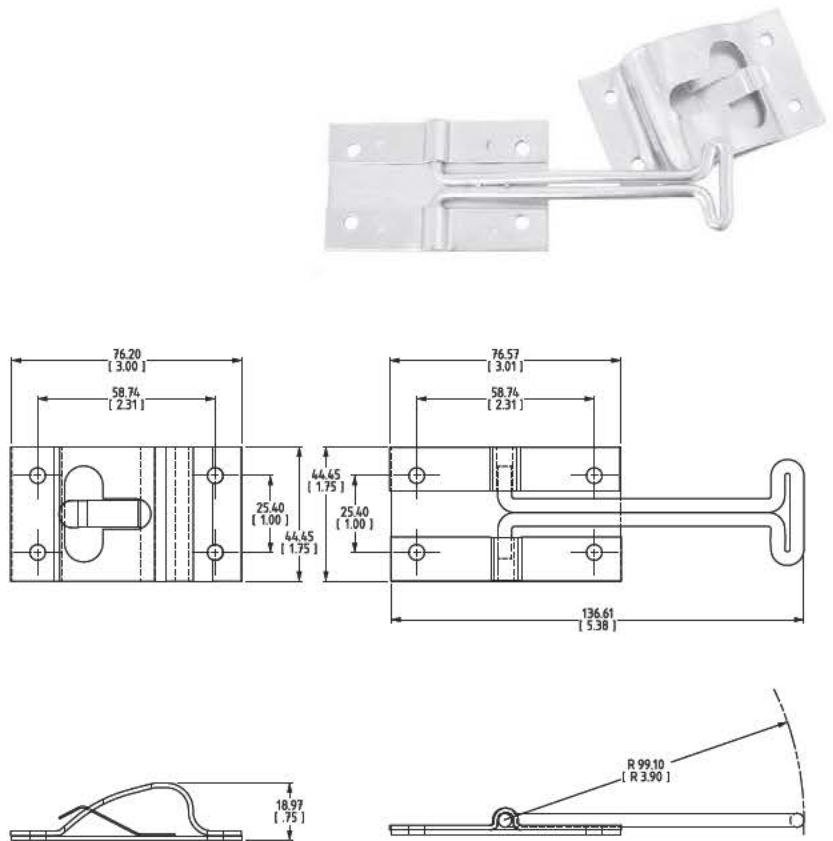
Prod. #		
771-0095	4"	Stainless steel
771-5086	6"	Stainless steel
771-5054	4"	Zinc plated
771-5061	6"	Zinc plated



Wire type door holders

Complete package
Keeper with retaining spring

Prod. #		
771-5093	4"	Zinc plated
771-5110	6"	Zinc plated



REV. 11/2015

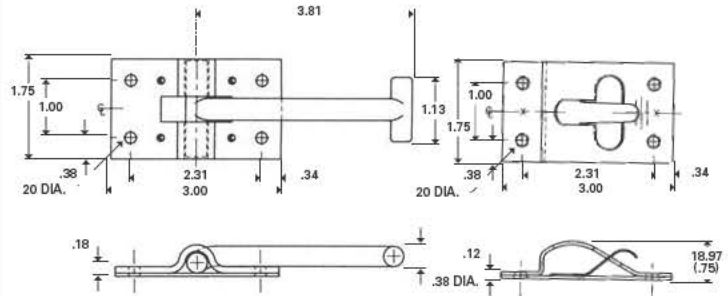
Wire type heavy duty door holder

Zinc plated
Heavy-duty $\frac{5}{16}$ " malleable steel model,
keeper with retaining spring.

Complete package

Prod. #

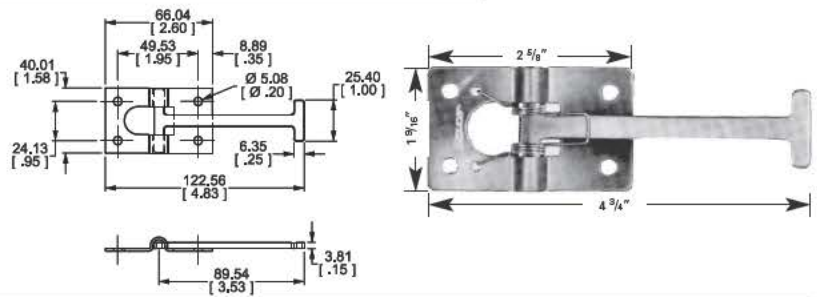
771-2173



Wire type stainless steel heavy-duty door holder

Prod. #: 771-4004

Stainless steel door hook
fitted with a spring to
prevent rattle.
Hook length: 88 mm
(3 1/2 in.)

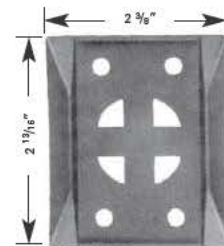
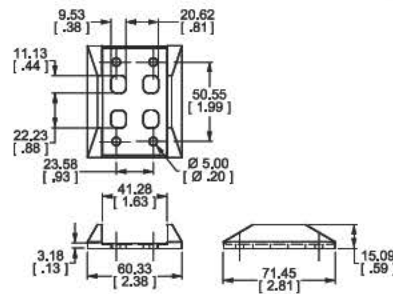


Plastic mounting plate

Prod. #: 771-4029

Improves appearance
and protects aluminum
panels from galvanic
corrosion.

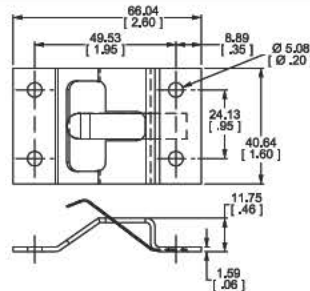
For use with 771-4004
and 771-4036.



Stainless steel keeper with retaining spring

Prod. #: 771-4036

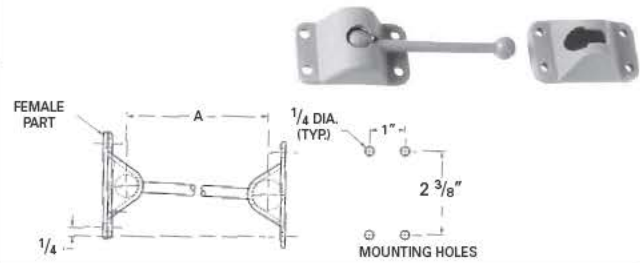
Stainless steel



Door holders

Prod. #: **771-0137** A: 4"
 Prod. #: **771-0144** A: 6"
 Prod. #: **771-0352** A: 10"

Gray thermoplastic

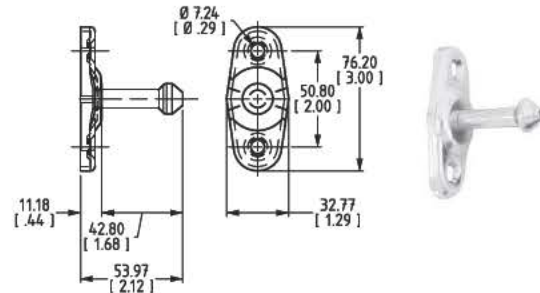


Plunger type door holder

Prod. #: **771-5022**

Zinc plated
 2 $\frac{1}{8}$ " long plunger (overall)

Minimum of 25

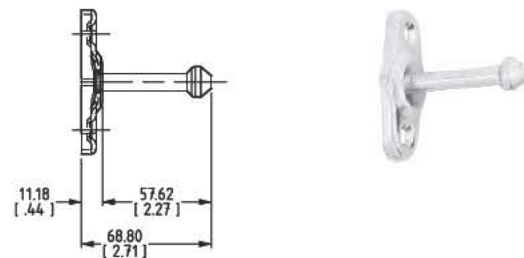


Plunger type door holder

Prod. #: **771-5047**

Zinc plated
 2 $\frac{11}{16}$ " long plunger (overall)

Minimum of 25

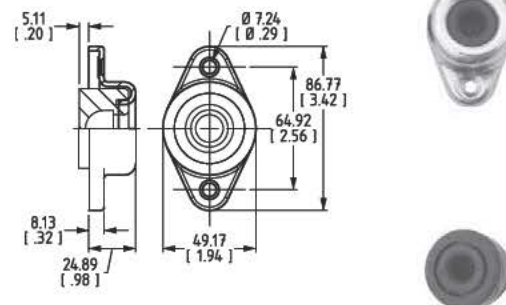


Keeper for plunger type door holder

Prod. #: **771-5008**

Use with 771-5022 or 771-5047.

Minimum of 25

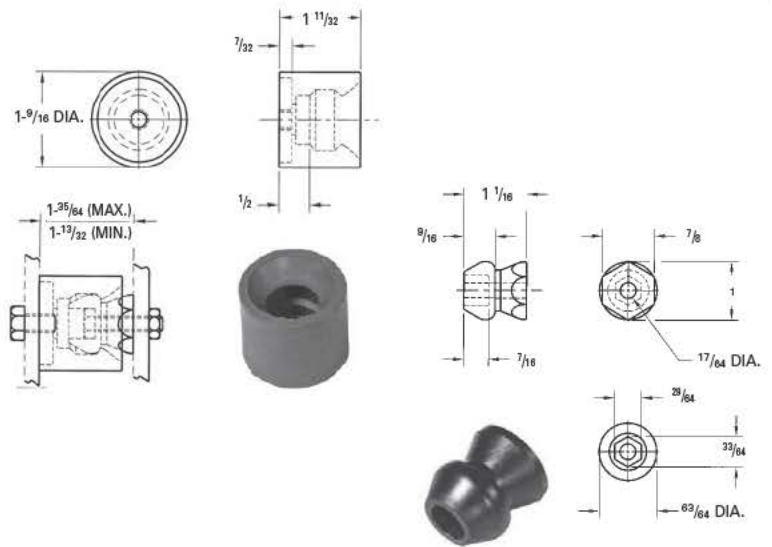


Rubber door holder

Prod. #: 771-0384 Complete kit

Replacement parts

Prod. #	Description
771-0151	Polypropylene male part
771-0112	Rubber female part



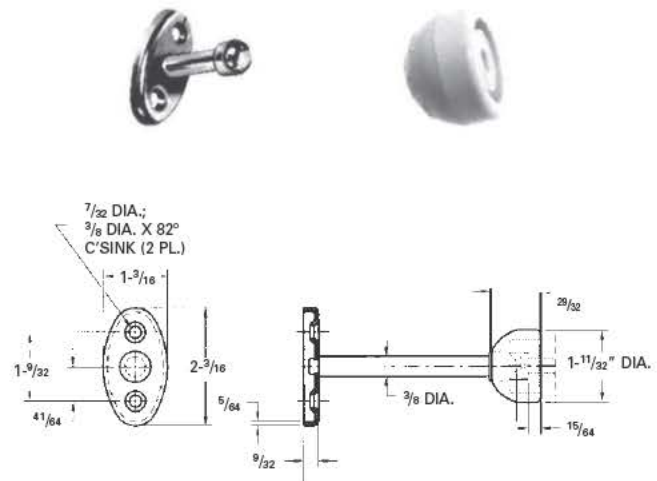
Plunger type door holders

Stainless steel plunger.
Pressure can be adjusted by screwing the plunger.

Prod. #	Overall length*	Plunger and socket
771-0659	1 1/2"	Plunger and socket
771-0666	2 1/2"	Plunger and socket
771-0673	3 1/2"	Plunger and socket
771-0680	4 1/2"	Plunger and socket
771-1109		Nylon socket only

* Complete assembly

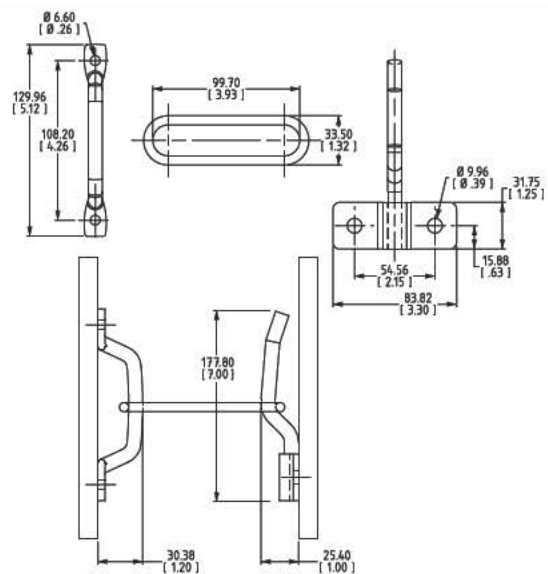
- Some parts may be lead time items. Consult our sales department for availability.



Link type door holder

Prod. #: 771-5551

Complete kit
Zinc

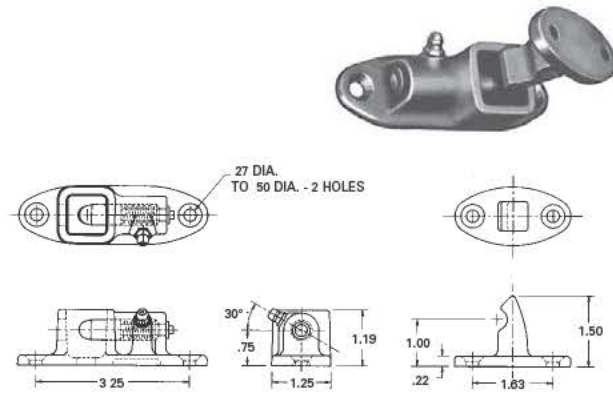


REV. 09/2015

Heavy-duty plunger type door holder

Prod. #: **771-5174** Length: 1 1/2" (ill.)

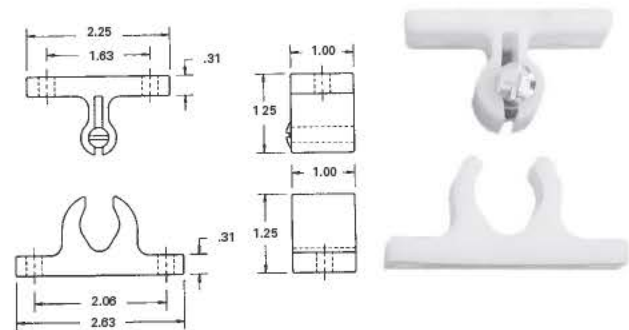
For heavy doors
Fitted with a grease fitting for lubrication.
Malleable iron with zinc finish.



Adjustable nylon retainer clip

Prod. #: **771-5463**

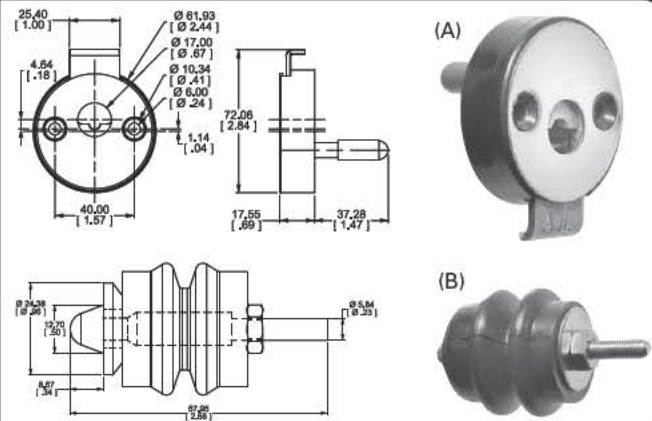
White (Complete package)
This durable and adjustable clip is specially designed for all types of hinged or sliding doors.
Brass screw allows precise adjustment of pressure needed to hold doors and panels.



Automatic door holder

Prod. #: **771-0049** Female, inside release (A)
Prod. #: **771-0070** Male (B)

Polished stainless steel face-plate.
Stainless steel release catch and spring encased by black nylon 66 moulded body.



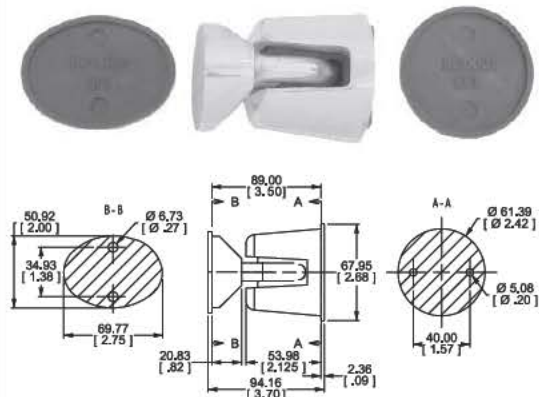
Door holder

Prod. #: **771-0218** 3 1/2" (ill.)

Aluminium die cast, chrome plated.

Prod. #: **771-6000** 3 1/2"
Prod. #: **771-6004** 4 1/2"

Stainless steel



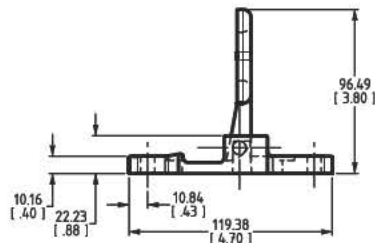
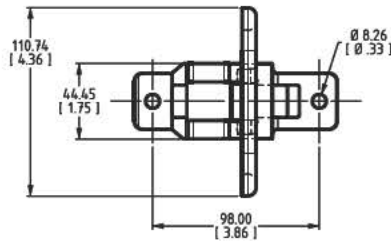
REV. 09/2012

Folding grab handles

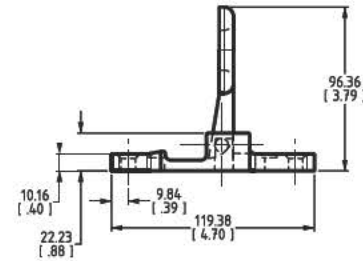
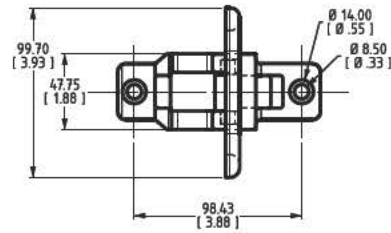
Prod. #: **776-1011** Zinc plated (Minimum of 10)

Prod. #: **776-1068** Stainless steel

Projection in open position: 4"



Prod. #: **776-1068**



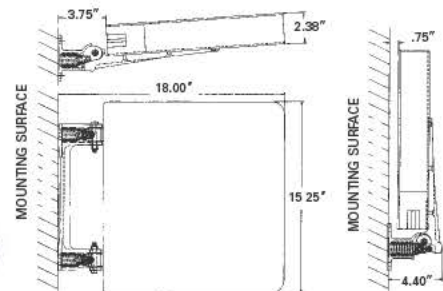
Prod. #: **776-1011**

Automatic closing seat

Prod. #: **779-2154** Seat

Prod. #: **779-1143** Back-rest

Black leatherette covering
For industrial machinery



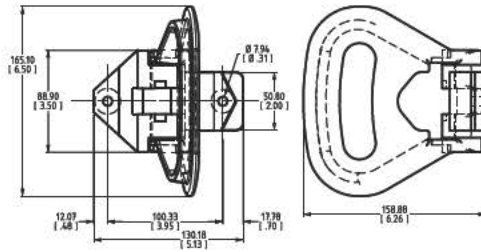
REV. 04/2013



Folding step

Prod. #: **776-9998**

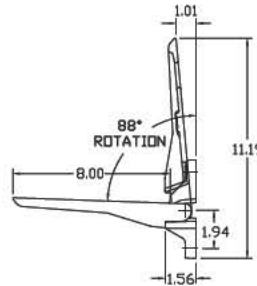
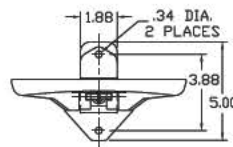
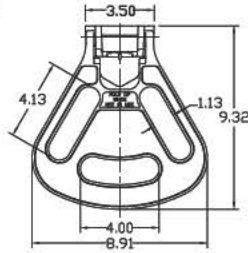
Zinc plated
Cap.: 500 lbs. (vertical static load)
Meets the requirement of
FHAR49CFR section 399.



Folding step

Prod. #: **776-0811**

Cadmium finish.
Slip resistant surface design
conforms to NFPA 1901 standard
for Automotive Fire Apparatus 1999
edition sections 13-7.1, 13-7.2
and 13-7.3

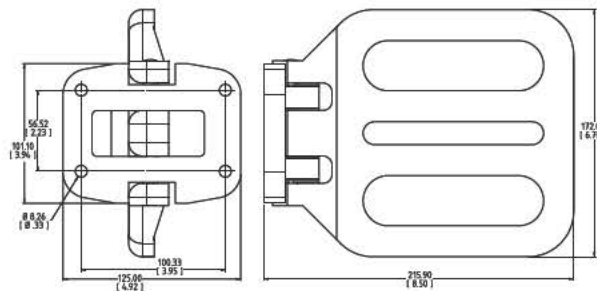


- Some parts may be lead time items. Consult our sales department for availability.

Folding step

Prod. #: **776-7339**

Chrome finish
Aluminum zinc die cast. Stainless
steel spring
Meets the requirement of
FHAR49CFR section 399 and
NFPA 1901 standards.
Mounting gasket included



REV. 09/2012

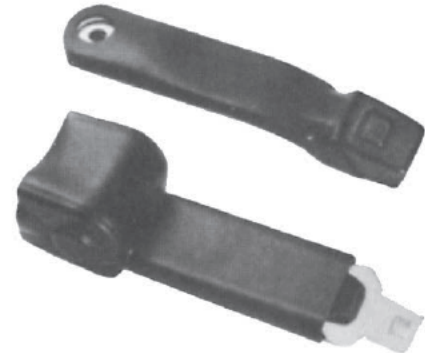
Safety belts

Black
With stitched anchoring plates.
Meet FMVSS standards when installed with proper hardware.

Prod. #		Dimensions
779-0076	Retractable (2 points)	67"
779-0245	Retractable (3 points)	144"
779-0005	Non-retractable (2 points)	108" (46" + 62")
779-0012	Non-retractable (2 points)	72" (31" + 41")

Other models, lengths and colours available on request, minimum order required.

Hardware: 779-0284



Adjustable sun visor

Prod. #: 776-0843

Padded rigid fiber blade covered with black leatherette.
6" x 17"



Sun visor

Prod. #: 776-0836

Made of transparent dark gray plexiglass with double action mounting brackets at each end.
6" x 30"



Folding glass-holder in ABS

Prod. #: 776-0723

Black

Height	Width	Dia.
3 3/4"	3 7/8"	2 3/4"

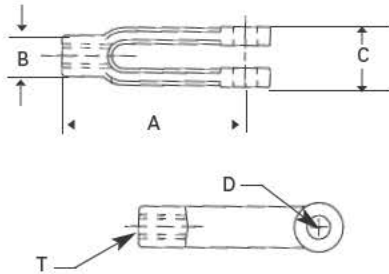


Forged steel yoke rod ends

Zinc plated

Complete with cross and cotter pins.

Prod. #	T	A	B	C	D
780-2010	5/16-24 NF	2.25"	0.500"	0.750"	0.312"
780-2028	3/8-24 NF	2.50"	0.625"	0.875"	0.375"
780-2035	7/16-20 NF	2.875"	0.718"	1.000"	0.437"
780-2042	1/2-20 NF	3"	0.812"	1.125"	0.500"
780-1169	5/8-18 NF	4.937"	1.062"	1.375"	0.625"
780-1232	5/8-11 NC	4.937"	1.062"	1.375"	0.625"

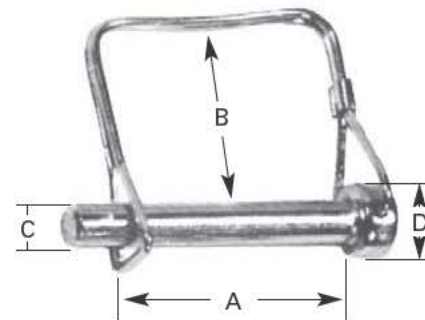


• Some parts may be lead time items.
Consult our sales department for availability.

Locking pins

Zinc plated

Prod. #	Rod Diameter	Usable Length (A)	Vertical Clearance (B)	(C)	(D)
781-0371	1/4"	1 3/4"	1 1/2"	1/4"	1/2"
781-0389	5/16"	2 1/4"	1 5/8"	1/4"	1/2"
781-0406	3/8"	2 1/2"	1 1/2"	1/4"	1/2"
781-0325	1/4"	2 3/4"	1 3/4"	1/4"	1/2"
781-0364	1/4"	3 1/2"	1 1/2"	1/4"	1/2"



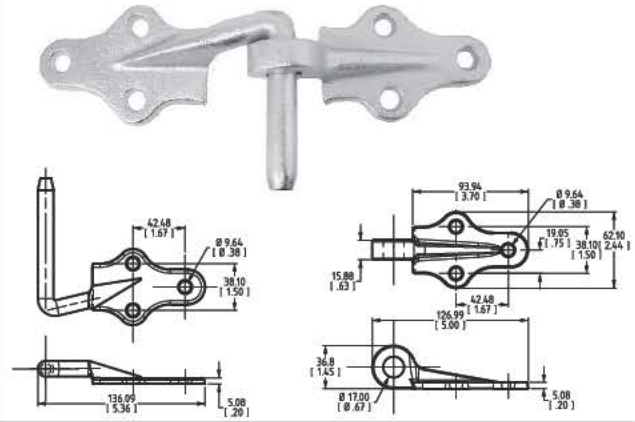
REV. 04/2013

Stake body hardware

Prod. #: **782-0304** RH (ill.)
Prod. #: **782-0300** LH

Malleable iron
Series A, hooks 9/16" in diameter
Kit contains a round eye and a 3" hook

Minimum of 10



Gravity hold down hook

Prod. #: **782-0309**

For stake bodies
Hole for 1/4" bolt



Western gate latch

Prod. #: **782-8795**

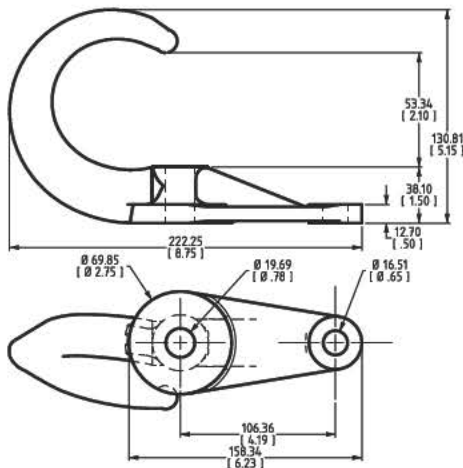
Zinc plated



Towing hooks

Prod. #: **781-0043** RH (ill.)
Prod. #: **781-0036** LH

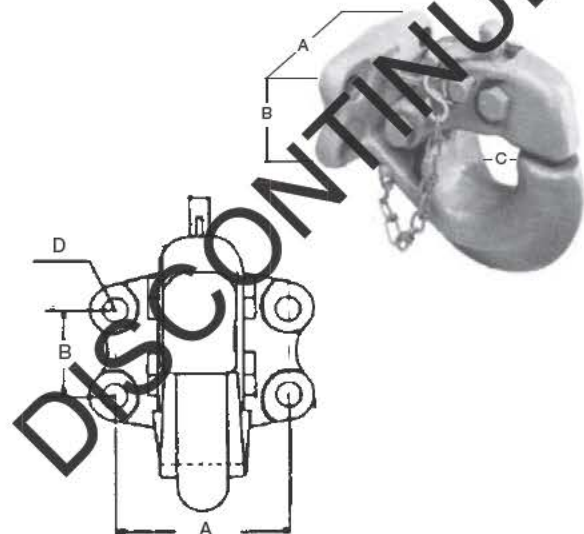
Cap.: 15,000 lbs. (SWL)
If used with
grade 8 fasteners



Heavy duty pintle hooks

For ring with 2 3/8" to 3" inside dia.

Prod. #	NTW Cap.	A	B	C	D
781-0011	40 000 lbs.	3 3/8"	1 3/4"	1 7/8"	1 3/2"



VARIOUS HARDWARE

H

REV. 08/2014

Steel tracks

For partitions and sliding doors in commercial vehicles, tractor cabins, industrial cabinets, or for suspending canvas partitions in factories, warehouses, etc...

Suggested spacing for points of attachment 18"

16 GA GALVANIZED STEEL TRACK

Exterior dimensions: 1 7/16" wide x 1 1/4" high.

Prod. #	Length
706-1041	60"
706-1080	120"
706-1161	240"

12 GA GALVANIZED STEEL TRACK

Exterior dimensions: 1 19/32" wide x 1 29/64" high

Prod. #	Length
706-1669	240"



Track connector

Prod. #: **706-1443**

4" long — 16 Ga. galvanized steel



Track connector (Face mount)

Prod. #: **706-1429**

4" long — 16 Ga. galvanized steel



Track connector (Side mount)

Prod. #: **706-1732**

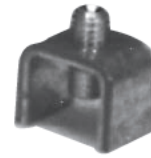
4" long — 12 Ga. galvanized steel



REV. 08/2014

End rail stop

Prod. #: **706-1764** Galvanized steel



Trolleys with nylon wheels

Prod. #: **706-1394** Hook: Steel 1/2", wheel 1"
Prod. #: **706-9971** Hook: Steel 1", wheel 1"

3/16" dia. hook and nylon wheels

Use with 12 Ga. or 16 Ga. tracks.



4-Wheeled steel trolley

Prod. #: **706-1605** 16 Ga. track — Wheels: 1"
Prod. #: **706-1612** 12 Ga. track — Wheels: 1 3/16"

1" zinc plated hook.



Trolley with steel wheels

Prod. #: **706-1436**

Zinc plated
Hook: 1/4" dia. X 6"



Curved track

Prod. #: **706-1235**

24" radius and 90° angle.
16 Ga. galvanized steel



REV. 08/2014

4-wheeled trolley

Prod. #: **706-1676**

In 1 ³/₁₆" steel with 2 ³/₄" x 1 ¹/₂" plate measured from the centre of the ³/₈" hole.
For 12 Ga. track



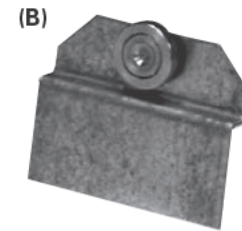
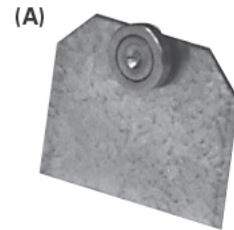
Galvanized steel trolley plates

Prod. #: **706-1210** Plate: Right (A)

Prod. #: **706-1267** Plate: ⁵/₁₆" folded (B)

Prod. #: **706-1274** Plate: ⁷/₁₆" folded (B)

Mounted on a steel wheel. For 16 Ga. track



2-wheeled trolley

Prod. #: **706-1228**

1" steel with 2" wide plate. For 16 Ga. track.
U-shape fits onto ³/₄" door. N series.
Plate: galvanized steel



Trolleys

Prod. #: **706-1281** Length: 22"

Prod. #: **706-1323** Length: 36"

With a pair of wheels at each end and a U-shaped plate for fitting onto ³/₄" doors. N series.

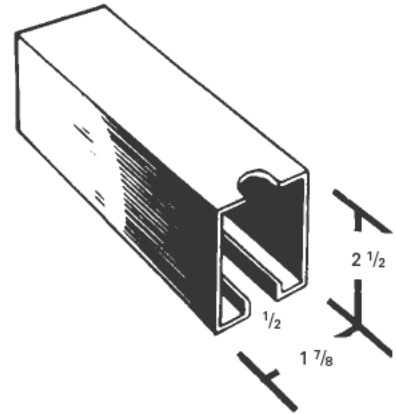


REV. 08/2014

Tracks and accessories for heavy doors

Load capacity of 450 lbs. if the track is supported every 24".
14 GA Galvanized steel track

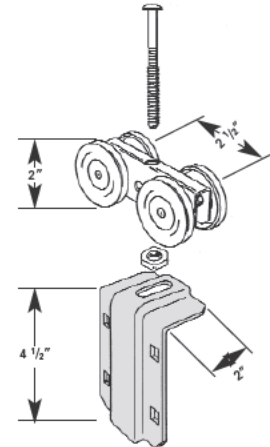
Prod. #	Length
451-9799	120"
451-9809	144"



Roller

Prod. #: **451-9742** Complete kit
Prod. #: **706-0016** Wheel only with rod and bolt — 2" dia.

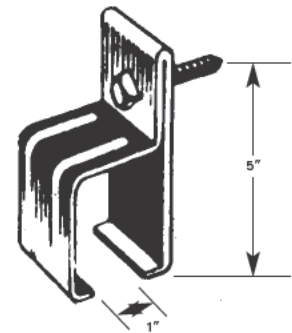
For above tracks
Zinc plated
Cap.: 450 lbs. per pair.



Track bracket

Prod. #: **451-9816**

Zinc plated
Suggested spacing: 24"



REV. 08/2014

VARIOUS HARDWARE





Flowered stainless steel finish

Prod. #	Weight	Dimensions		
923-0087	42 lbs	18 "	18 "	24 "
923-0062*	57 lbs	18 "	18 "	36 "
923-0055*	71 lbs	18 "	18 "	48 "
923-0048*	80 lbs	24 "	24 "	36 "
923-0030*	100 lbs	24 "	24 "	48 "

* With reinforced door



Flowered stainless steel finish (barn doors)

Prod. #	Weight	Dimensions		
923-0432	42 lbs	18 "	18 "	24 "
923-0457	57 lbs	18 "	18 "	36 "
923-0464	71 lbs	18 "	18 "	48 "
923-0471	80 lbs	24 "	24 "	36 "
923-0489	100 lbs	24 "	24 "	48 "



Polished stainless steel

Prod. #	Weight	Dimensions		
923-0136	42 lbs	18 "	18 "	24 "
923-0129*	57 lbs	18 "	18 "	36 "
923-0111*	71 lbs	18 "	18 "	48 "
923-0270*	86 lbs	18 "	18 "	60 "
923-0104*	80 lbs	24 "	24 "	36 "
923-0094*	100 lbs	24 "	24 "	48 "
923-0263*	115 lbs	24 "	24 "	60 "

* With reinforced door



Black powder coated with stainless steel door

Prod. #	Weight	Dimensions		
923-0016	42 lbs	18 "	18 "	24 "
923-0009*	57 lbs	18 "	18 "	36 "
923-0023*	71 lbs	18 "	18 "	48 "

* With reinforced door



• Some parts may be lead time items. Consult our sales department for availability.

REV. 06/2012

Black powder coated

Prod. #	Weight	Dimensions		
923-0217	42 lbs	18 "	18 "	24 "
923-0182	50 lbs	18 "	18 "	30 "
923-0175*	57 lbs	18 "	18 "	36 "
923-0168*	71 lbs	18 "	18 "	48 "
923-0288*	86 lbs	18 "	18 "	60 "
923-0150*	80 lbs	24 "	24 "	36 "
923-0143*	100 lbs	24 "	24 "	48 "

* With reinforced door



Brackets for tool boxes

Stainless steel

Prod. #	Dimensions	
923-0496	6.30 " (H)	16.50 " (L)
923-0376	8.10 " (H)	20.50 " (L)

Steel

Prod. #	Dimensions	
923-0506	6.30 " (H)	16.50 " (L)
923-0351	8.10 " (H)	20.50 " (L)



Replacement parts for tool boxes

- Prod. #: **673-0349** Polyamide recessed T handle (ill.)
- Prod. #: **699-7695** Stainless steel recessed T handle
- Prod. #: **697-0358** Replacement cylinder



- Prod. #: **777-5511** Gaz cylinder



- Prod. #: **923-0626** Polyamide hinge



• Some parts may be lead time items. Consult our sales department for availability.

□ = 1/4"