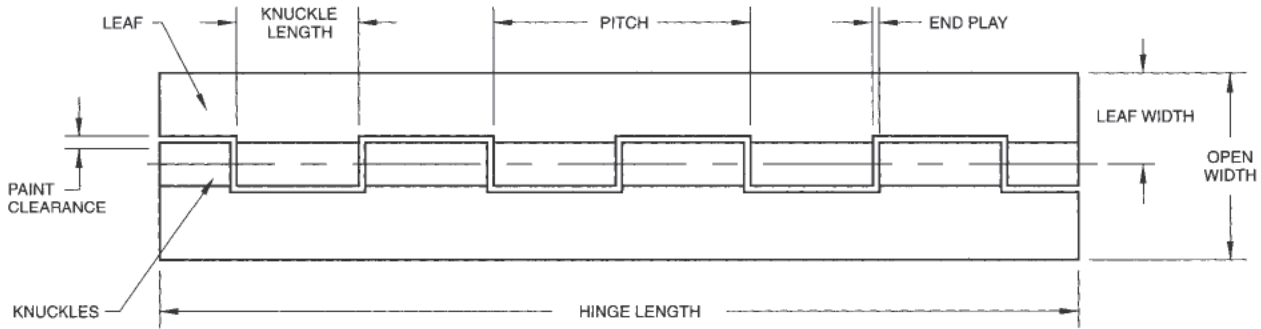


D

HINGES



Material Thickness

The thickness of the hinge leaf.

Leaf

The portion of a hinge extending laterally from the knuckle and which usually revolves around a pin. Measured from center of pin to edge of leaf.

Open Width

The overall dimension of the leaves measured perpendicular to, or across, the pin.

Hinge Length

The length of the hinge measured parallel to the pin.

Knuckle

The hollow circular part at the joint of a hinge through which a pin is passed. The knuckle is often called a loop, joint, node or curl.

Knuckle Length

The nominal or typical dimension of the knuckle measured parallel to the pin.

Pitch

The dimension from a point on the knuckle to the same point on an adjacent knuckle on the same leaf.

Paint Clearance

The minimum dimension between the outer face of the knuckle and the opposing edge of the cutout over the hinge's entire range of pivotal movement.

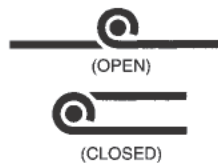
Plain or Standard Assembly

This is a surface-type hinge. The leaves lie flat in the same plane when in the open position. Unless otherwise indicated, this type of hinge will be furnished.

Reverse Assembly

Neither leaf swaged. Opposing leaves extend laterally from opposite sides of pin. Leaves will not close to parallel position.

Plain or standard assembly



The forming of one or both leaves toward or beyond the center of the pin. Swaging slightly increases leaf width.

OTHER OPTIONS:

Both leaves half-swaged



One leaf half-swaged



One leaf full swaged



Quik-a-line

Rounded projections on alternate knuckles used for rapidly aligning the hinge to the stock for welding purposes.

These projections also provide ample paint clearance between the hinge knuckle and adjoining abutted parts.

Pin Retention for Continuous Hinges

- a) staking
- b) press tightening
- c) welding the pin to end knuckles
- d) crimping end knuckles, and
- e) forming or folding pin ends to facilitate removal

If you are using/looking for a custom hinge for your application, please call us and we will work with you to produce the hinge you need. Some minimums are applicable, and a sketch or drawing is generally required.

REV. 01/2011

Steel continuous hinges

All hinges are standard unless specified otherwise. Dimensions are in inches.

Prod. #	Gauge	Open width	Length	Pin diameter	Length of knuckles	Holes	Weight (lbs.)
751-0593*	0.030	1.063	72	0.090	0.25	no	0.92
751-0018	0.040	1.25	72	0.090	0.50	no	1.36
751-0057	0.040	1.50	72	0.090	0.50	no	1.50
751-0314	0.060	1.50	72	0.125	0.50	no	2.60
751-0089	0.060	2.00	72	0.187	1	no	3.70
751-0106	0.075	2.00	72	0.250	1	no	5.00
751-0152	0.075	2.50	72	0.250	1	no	5.60
751-0233	0.075	3.00	72	0.250	1	no	6.75
751-0219**	0.075	3.00	72	0.250	1	no	6.75
751-0642	0.125	3.00	90	0.375	2	no	15.00
751-0184	0.075	3.50	72	0.250	1	no	7.50
751-0272	0.090	3.50	73,50	0.250	1.75	no	9.60
751-0579	0.125	5.00	72	0.375	2	no	20.00

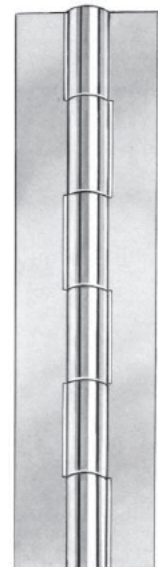
* Quik-a-line

** Both leaves half swaged

Steel continuous hinges with brass pin

All hinges are standard unless specified otherwise. Dimensions are in inches.

Prod. #	Gauge	Open width	Length	Pin diameter	Length of knuckles	Holes	Weight (lbs.)
751-0096	0.060	2.00	72	0.187	1	no	3.90
751-0113	0.090	2.00	73.5	0.250	1.75	no	5.90
751-0177	0.075	2.50	72	0.250	1	no	5.68
751-0240	0.075	3.00	72	0.250	1	no	6.80



D

HINGES

REV. 06/2012

Stainless steel continuous hinges

Type 304 stainless steel.

All hinges are standard unless specified otherwise. Dimensions are in inches.

Prod. #	Gauge	Open width	Length	Pin diameter	Length of knuckles	Holes	Weight (lbs.)
751-0000	0.037	1.062	72	0.100	0.50	no	1.15
751-0025	0.037	1.500	72	0.100	0.50	no	1.47
751-0850	0.037	1.500	72	0.100	0.50	P&C 3", C#6	1.47
751-0064	0.060	1.500	72	0.125	0.50	no	2.57
751-1325	0.037	2.000	72	0.100	0.50	no	2.20
751-0120	0.060	2.000	72	0.125	0.50	no	3.38
751-0804	0.060	2.000	84	0.187	1	no	4.21
751-0716	0.060	2.000	72	0.187	1	no	3.40
751-4326	0.060	2.500	72	0.125	0.50	no	3.80
751-1822	0.060	3.000	72	0.187	1	no	4.30
751-0258	0.060	3.000	84	0.187	1	no	6.50
751-0836	0.060	3.000	84	0.250	2	no	5.99
751-1847	0.075	3.000	72	0.250	1	no	6.30

Post plated nickel continuous hinges

All hinges are standard unless specified otherwise. Dimensions are in inches.

Prod. #	Gauge	Open width	Length	Pin diameter	Length of knuckles	Holes	Weight (lbs.)
751-1004	0.030	1.063	72	0.080	0.50	P&C2", C#5	0.92
751-4502	0.040	1.25	72	0.090	0.50	P&C2", C#5	1.47
751-0970	0.040	1.50	72	0.090	0.50	P&C2", C#5	1.69
751-0988	0.040	2.00	72	0.090	0.50	P&C2", C#5	2.19

Aluminum continuous hinges

All hinges are standard unless specified otherwise. Dimensions are in inches.

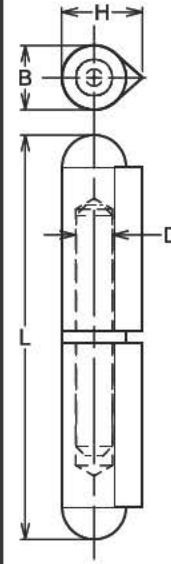
Prod. #	Gauge	Open width	Length	Pin diameter	Length of knuckles	Holes	Weight (lbs.)
751-0032	0.040	1.50	72	0.090	0.50	no	0.60
751-0071*	0.064	2.00	72	0.125	0.50	no	1.16
751-1981	0.064	3.00	72	0.125	0.50	no	1.60
751-1082	0.081	3.00	72	0.250	2	no	2.50

* With larger paint clearance and degreased.



Steel weld-on hinge, brass & steel pins

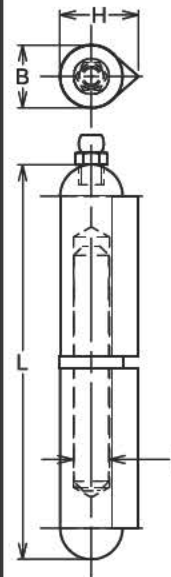
Brass pin Prod. #	Steel pin Prod. #	Length L		Diameter B	Thickness H	Diameter (pin) D	
		(mm)	(inches)	(mm)	(mm)	(mm)	(inches)
752-4388		40	1 9/16"	8	9.5	5	0.20"
752-4395		50	2"	8	10	5	0.20"
752-4405		60	2 3/8"	10	12	6	0.24"
752-0150		60	2 3/8"	10	12.5	5.5	0.22"
752-4412		70	2 3/4"	11.5	13.5	6	0.24"
752-4437		80	3 3/16"	13	15	8	0.32"
752-0231		80	3 3/16"	13	16	7	0.28"
752-4363	752-4444	100	4"	16	20	10	0.39"
752-0111	752-3916	100	4"	16	20	9	0.35"
752-4677		120	4 3/4"	16	20	10	0.39"
752-0249		120	4 3/4"	16	20	9	0.35"
752-4370	752-4451	150	6"	20	25	13	0.51"
752-0182	752-1242	150	6"	20	25	11	0.43"
752-4469		180	7"	20	25	14	0.55"
752-0288		180	7"	20	25	12	0.47"
	752-4476	200	8"	23	28.5	16	0.63"



D
HINGES

Steel weld-on hinges with grease fitting

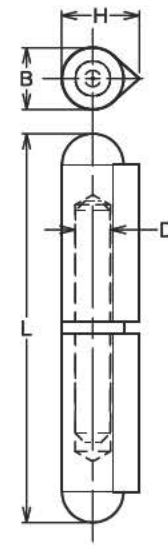
Steel pin Prod. #	Length L		Diameter B	Thickness H	Diameter (pin) D	
	(mm)	(inches)	(mm)	(mm)	(mm)	(inches)
752-4532	80	3 3/16"	13	16	8	0.32"
752-0665	80	3 3/16"	13	16	7	0.28"
752-4483	100	4"	16	20	10	0.39"
752-0672	100	4"	16	20	9	0.35"
752-4490	120	4 3/4"	16	20	10	0.43"
752-1299	120	4 3/4"	16	20	9	0.35"
752-4500	135	5 1/4"	18	22	13	0.47"
752-0802	135	5 1/4"	18	22	10	0.39"
752-4518	150	6"	20	25	13	0.51"
752-0697	150	6"	20	25	11	0.43"
752-4520	180	7"	20	25	13	0.55"
752-1281	180	7"	20	25	12	0.47"
752-4525	200	8"	23	28.5	16	0.63"



Stainless steel weld-on hinges

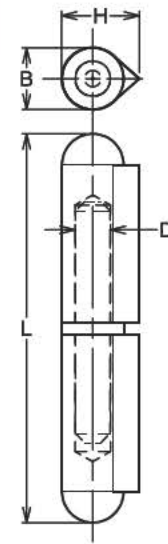
Stainless steel

Stainless steel pin Prod. #	Length L		Diameter B (mm)	Thickness H (mm)	Diameter (pin) D	
	(mm)	(inches)			(mm)	(inches)
752-4589	60	2 3/8"	10	12	6	0.24"
752-4596	80	3 3/16"	13	16	8	0.32"
752-4564	100	4"	16	20	10	0.39"
752-4571	150	6"	20	25	13	0.51"



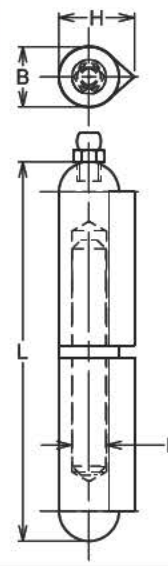
Aluminum weld-on hinges

Stainless steel pin Prod. #	Length L		Diameter B (mm)	Thickness H (mm)	Diameter (pin) D	
	(mm)	(inches)			(mm)	(inches)
752-4282	60	2 3/8"	10	12	6	0.24"
752-4317	80	3 3/16"	13	15.5	8	0.32"
752-4042	100	4"	16	20	10	0.39"
752-4275	150	6"	20	25	13	0.51"



Aluminum weld-on hinges with grease fitting

Stainless steel pin Prod. #	Length L		Diameter B (mm)	Thickness H (mm)	Diameter (pin) D	
	(mm)	(inches)			(mm)	(inches)
752-4356	80	3 3/16"	13	15.5	8	0.32"
752-4324	100	4"	16	20	10	0.39"
752-4331	150	6"	20	25	13	0.51"

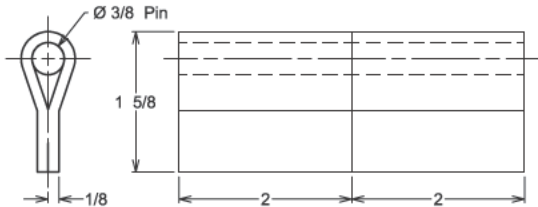


REV. 01/2011

Lift-off hinge

Prod. #: 752-6000

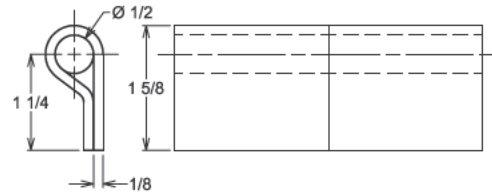
Plain steel
Removable pin: 3/8" X 4"



Lift-off hinges

Prod. #: 752-6018 Stainless steel: (1/2" X 4" pin)
Prod. #: 752-6032 Plain steel: (1/2" X 4" pin)
Prod. #: 752-6057 Plain steel: (1/2" X 4 1/2" pin)

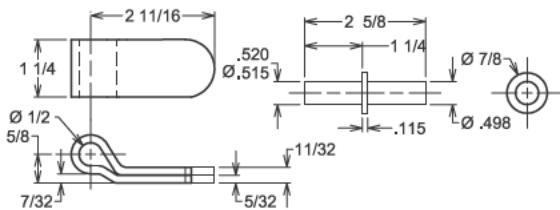
Removable pin



Lift-off hinge

Prod. #: 752-6106

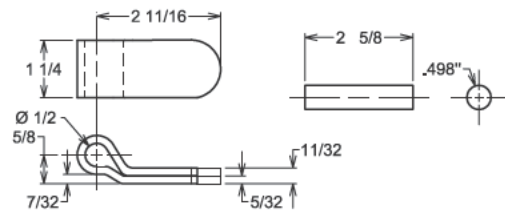
Plain steel
Grooved at one end and with integrated washer: 1/2" X 2 1/2"



Lift-off hinge

Prod. #: 752-6096

Plain steel
Removable pin: 1/2" X 2 1/2"



REV. 04/2013

PVC flexible continuous hinge

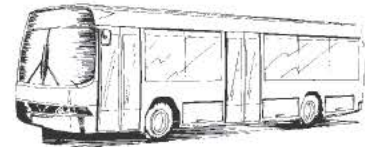
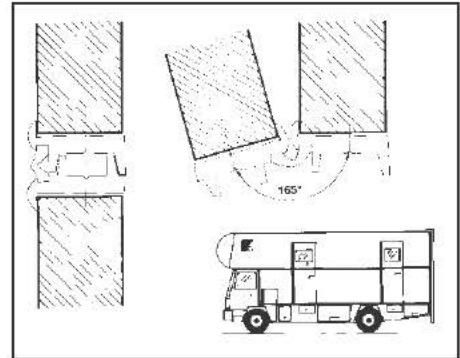
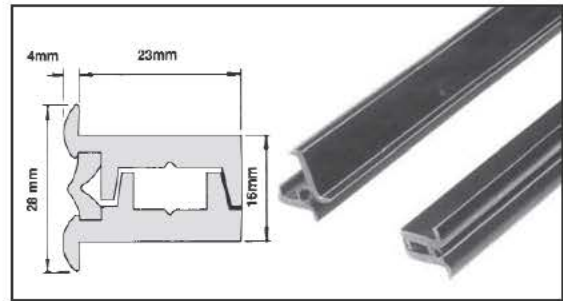
Prod. #: **751-4728** 118" (3 m) long

Black PVC profiles fused together with a flexible membrane consisting of a patented blend of polyester elastomers which combines strength, light weight and flexibility.

Excellent flex-life in temperatures ranging from -40°C to 50°C (-40°F to 122°F).

- Black.
- Durable: tested horizontally to over 50,000 cycles.
- Secure and watertight.
- Esthetically pleasing and light weight.
- Easy to fit.
- Corrosion resistant.
- Ultraviolet light stabilized.
- Load capacity: 12" can carry 67 lbs. when installed horizontally.
Not recommended for vertical use.

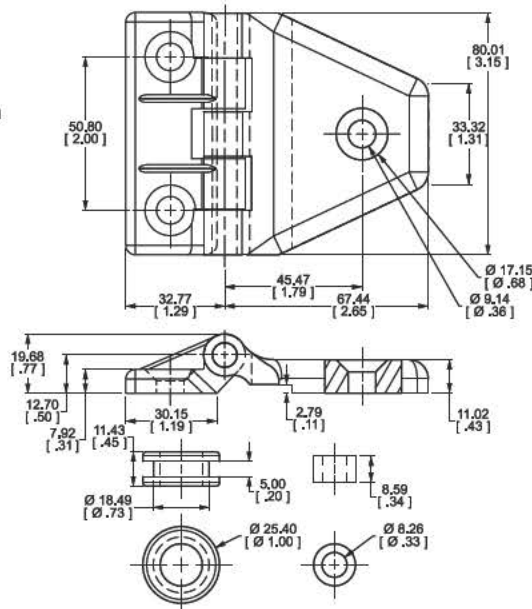
*Other lengths available upon request.
Minimum quantity required.*



Nylon-reinforced fiberglass hinge

Prod. #: **752-9322**

8 mm zinc plated pin, grooved at one end.
Supplied with round spacers for use in 5 mm (0.2") glass such as windshields in tractor cabins.

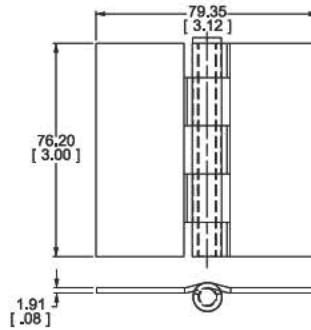


REV. 01/2011

Hinge 3" x 3"

Prod. #: **752-0390** Greased, loose pin one head

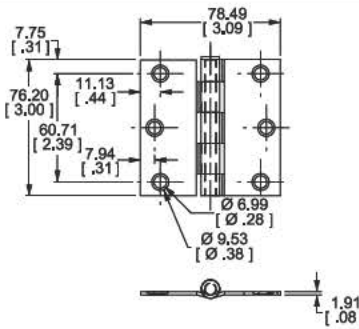
Plain steel
Dimensions: 3" x 3"
No holes
Pin: 3/16"



Hinge 3" x 3"

Prod. #: **752-0383**

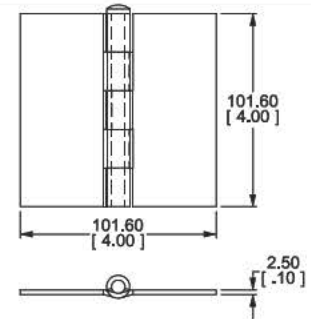
Plain steel
Dimensions: 3" x 3"
Holes
Pin: 3/16" loose pin one head
Screws included. Sold in pair.



Hinge 4" x 4"

Prod. #: **752-0129**

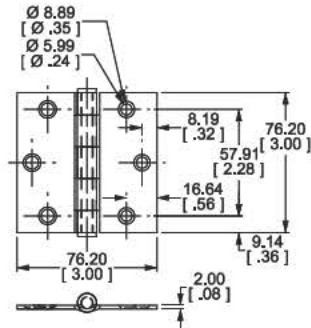
Plain steel
Dimensions: 4" x 4"
Without holes
Pin: 1/4" loose pin one head



Stainless steel hinge 3" x 3"

Prod. #: **752-3828**

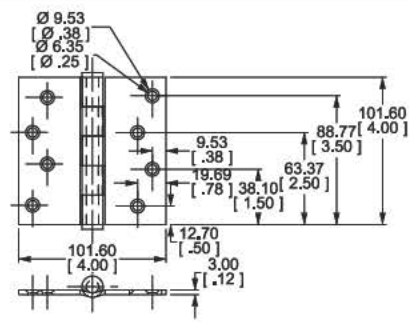
Stainless steel satin finish
Dimensions: 3" x 3"
Holes
Pin: 3/16" spun ends
Screws included. Sold in pair.



Stainless steel hinge 4" x 4"

Prod. #: **752-3810**

Stainless steel satin finish
Dimensions: 4" x 4"
Holes
Pin: 1/4" spun ends
Screws included. Sold in pair.



D
HINGES

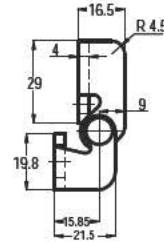
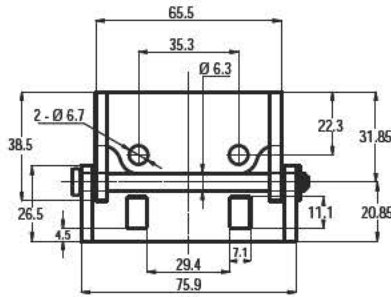
REV. 01/2011

Cabinet hinge

Prod. #: **754-2394**

Zinc plated, removable pin

Measurements are metric.



Hinge

Prod. #: **754-1224**

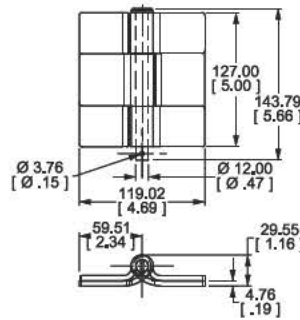
Aluminum

Dimensions: 4 3/4" x 5"

3/16" thick

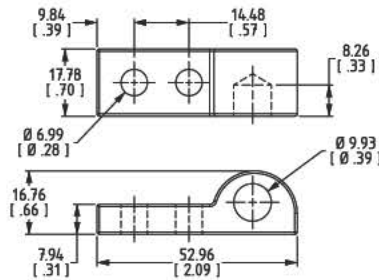
Double-layered parts are 3/8" thick

1/2" loose pin one head in zinc plated steel



Bronze casting hinges

Prod. #	Side	Round pin	Mounting holes
752-5014	RH (ill.)	3/8"	1/4"
752-5007	LH	3/8"	1/4"



Hinge brackets

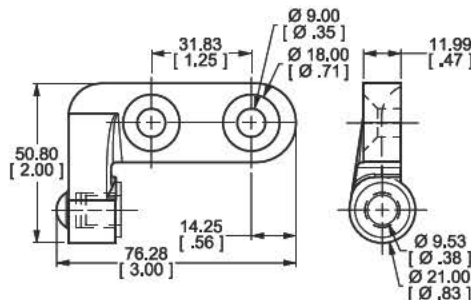
Prod. #: **752-5180** RH

Prod. #: **752-5198** LH (ill.)

Zinc plated, malleable steel with a nylon bushing for round pin.

Hinge brackets for compartment doors.

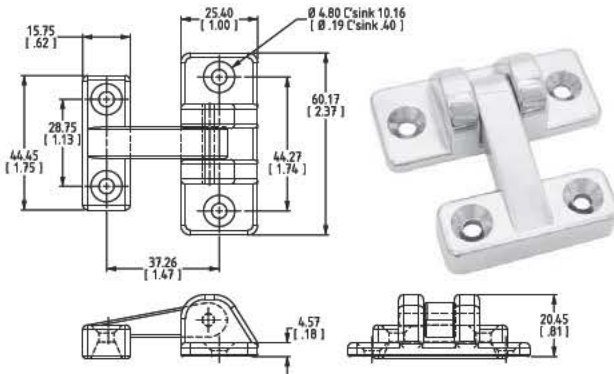
* Some parts may be lead time items. Consult our sales department for availability.



REV. 01/2014

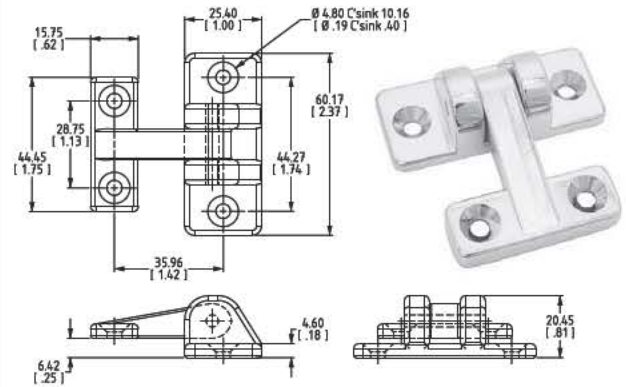
Mini-hinge in zinc alloy

Prod. #: **752-1154** Chrome finish — Flush



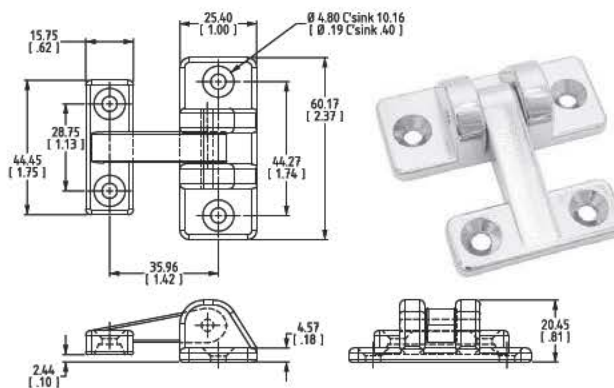
Mini-hinge in zinc alloy

Prod. #: **752-1122** Chrome finish — Offset 1/4"



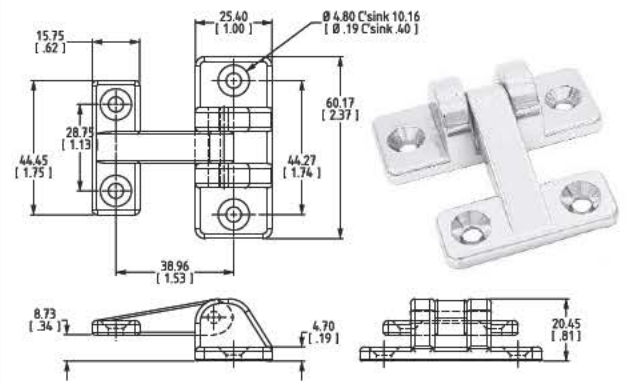
Mini-hinge in zinc alloy

Prod. #: **752-1147** Chrome finish — Offset 7/64"



Mini-hinge in zinc alloy

Prod. #: **752-1161** Chrome finish — Offset 11/32"

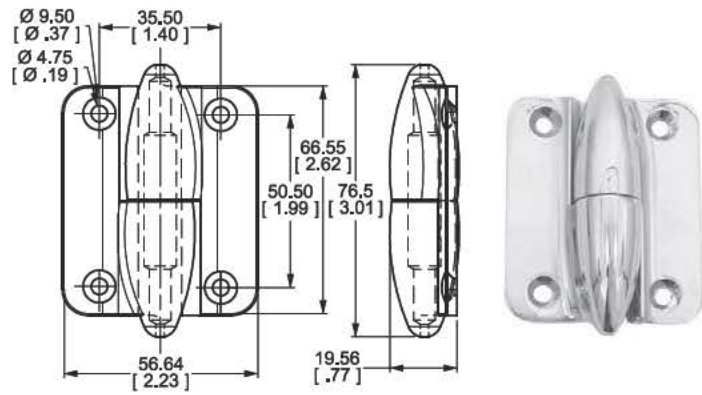


REV. 01/2011

Lift-off cabinet hinge

Prod. #: **750-6886** RH

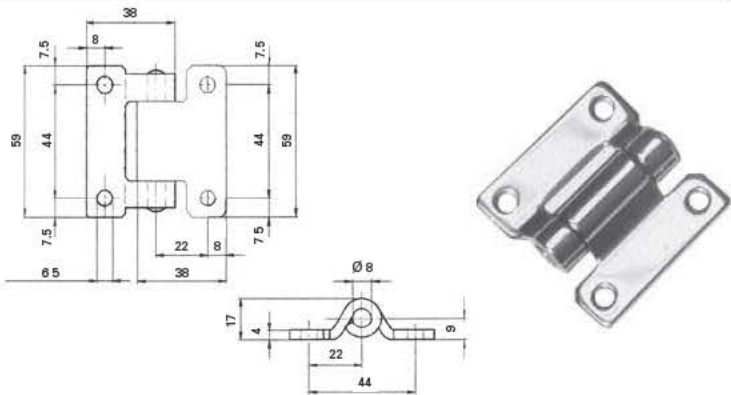
Zinc alloy, chrome finish.
Dimensions: 2 3/16" x 2 9/16"



Hinge

Prod. #: **754-4151** Polished stainless steel

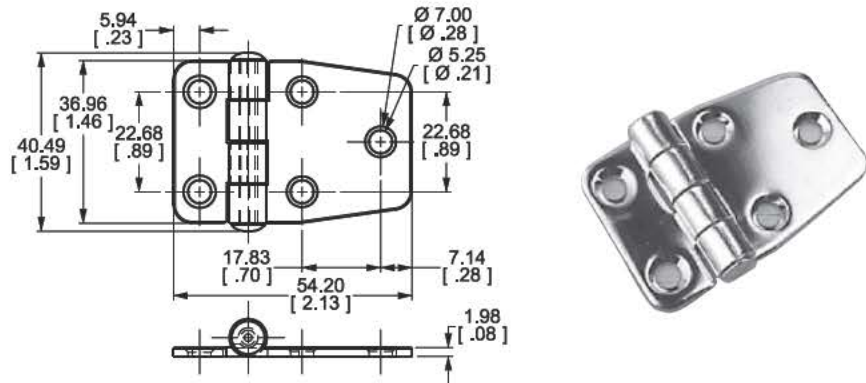
Measurements are metric.



Stamped stainless

Prod. #: **752-1411**

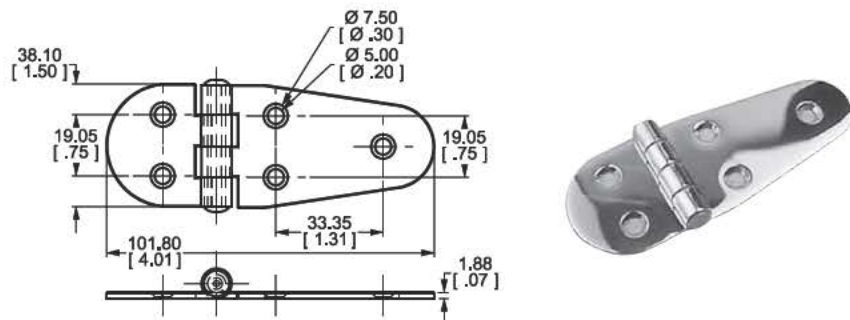
Stamped stainless steel
#8 countersunk holes



Stamped stainless

Prod. #: **752-1517**

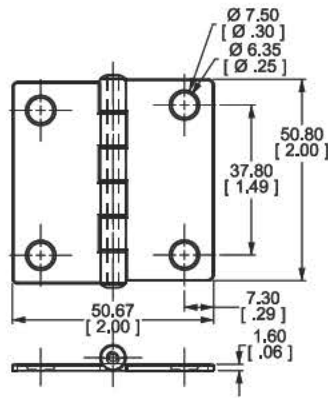
Stamped stainless steel
#8 countersunk holes



Stamped stainless

Prod. #: 752-1468

Stamped stainless steel
#8 countersunk holes



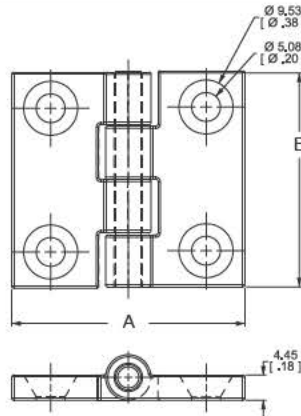
Stainless casting

Prod. #: 752-1588

A: 1.62" — B: 1.49"
Stainless steel 316 casting
#10 countersunk holes

Prod. #: 752-1595

A: 2" — B: 2"
Stainless steel 316 casting
#10 countersunk holes



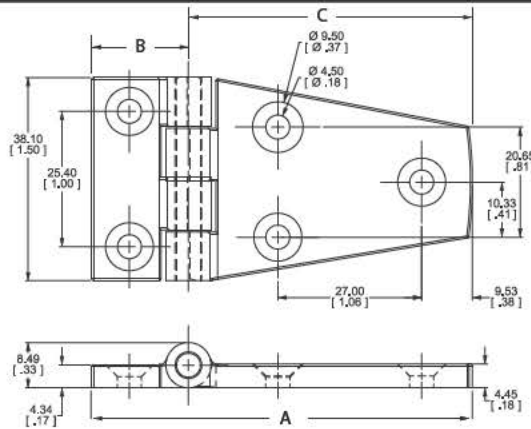
Stainless casting

Prod. #: 752-1644 (ill.)

A: 2.375" — B: 0.875" — C: 1.5"
Stainless steel 316 casting
#10 countersunk holes

Prod. #: 752-1651

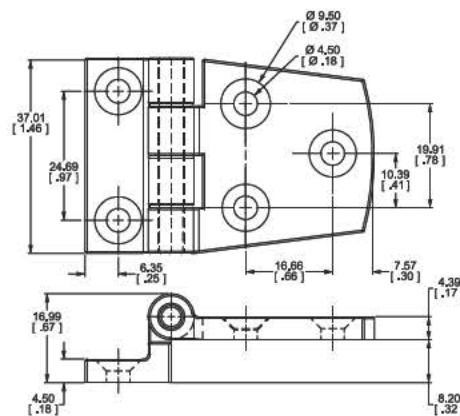
A: 2.875" — B: 0.75" — C: 2.12"
Stainless steel 316 casting
#10 countersunk holes



Stainless casting

Prod. #: 752-1669

Stainless steel 316 casting
#10 countersunk holes
Offset 5/16"



REV. 01/2011

3.50" stainless hinges

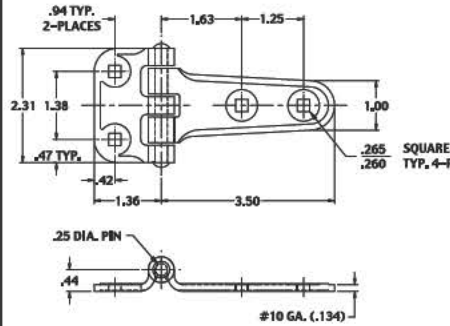
Prod. #: 752-4765

Hinge with mounting gasket

Prod. #: 752-4733

Hinge only

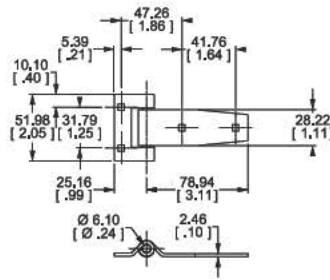
Flush mount
Polished stainless steel with square holes



3.11" stainless hinge

Prod. #: 754-2411

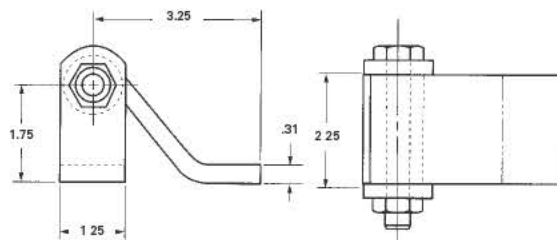
Flush mount
Polished stainless steel with nylon washers and square holes.



3.25" hinge

Prod. #: 754-0862

Flush mount applications only
Plain steel

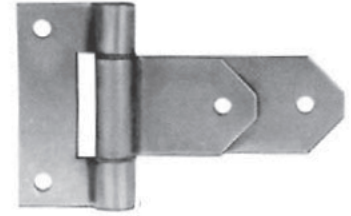
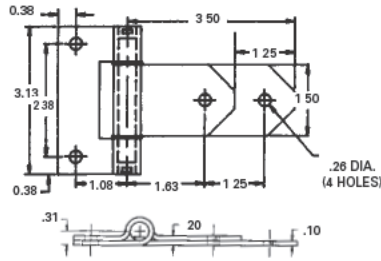


REV. 01/2011

3.50" stainless hinge

Prod. #: **754-0189**

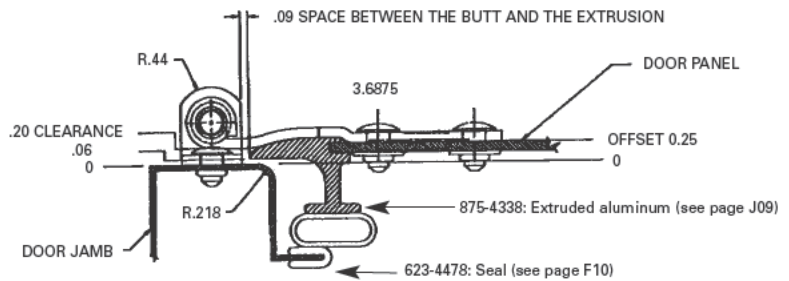
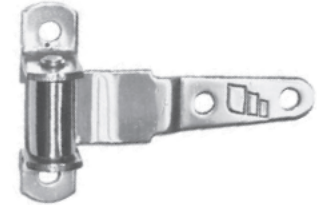
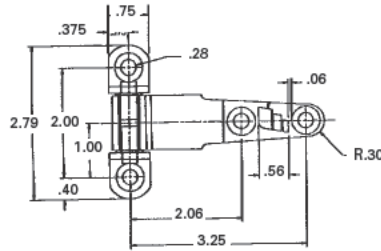
Flush mount
Stainless steel



3.69" over-the-seal stainless hinge

Prod. #: **754-0661**

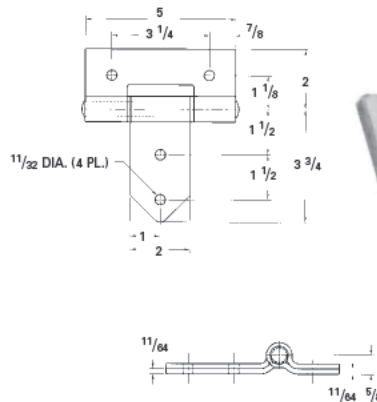
Offset 1/4"
Polished stainless steel
Heavy duty mini-hinge
Over the seal space to accommodate doors with extruded aluminum frames on certain types of service bodies.
Special aluminum extrusions **875-4338** for this hinge on page J09.



3.75" hinges

Prod. #: **754-1009** Zinc plated steel
Prod. #: **754-0975** Aluminum

Flush mount
2 ply steel or aluminum construction

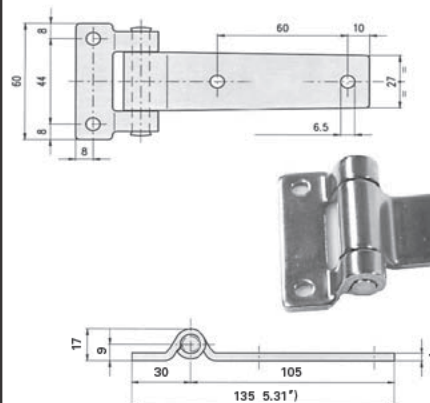


4.13" stainless hinge

Prod. #: **754-1094**

Flush mount
Polished stainless steel
4 stainless steel socket head screws 1/4-20 x 3/4" included

Measurements are metric



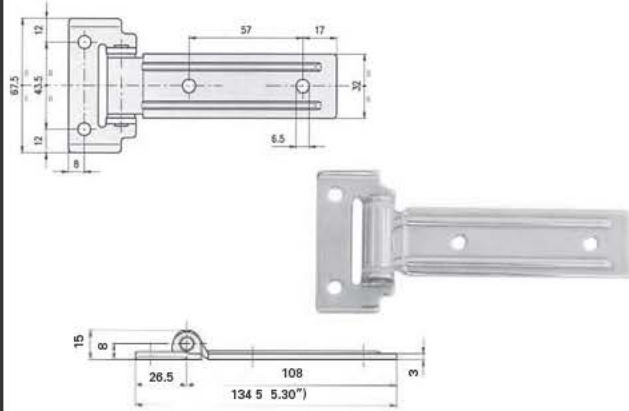
REV. 01/2011

4.25" stainless steel hinge

Prod. #: **754-4063**

Flush mount
Polished stainless steel
4 stainless steel socket head screws 1/4-20 x 3/4" included

Measurements are metric

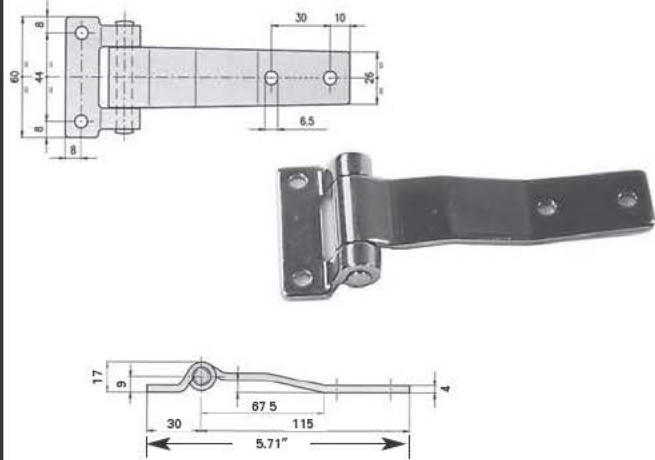


4.50" over-the-seal stainless steel hinge

Prod. #: **754-1062**

Flush mount
Polished stainless steel
Space for a door seal.
4 stainless steel socket head screws 1/4-20 x 3/4" included

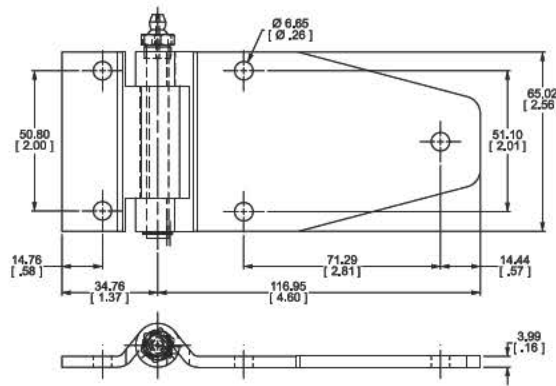
Measurements are metric



4.60" stainless hinge

Prod. #: **754-8004**

Flush mount
Polished stainless steel with grease fitting.

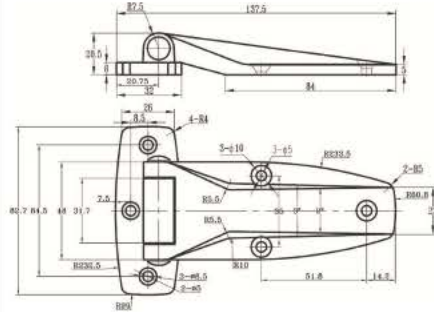


REV. 04/2012

4.60" hinge

Prod. #: **750-5052**

Flush mount
Chromed zinc
Riveted universal pin

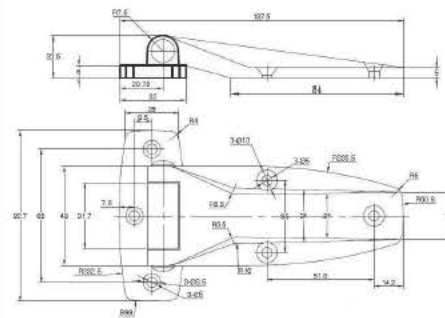


4.60" hinge

Prod. #: **750-0154**

Flush mount
Black finish
Riveted universal pin

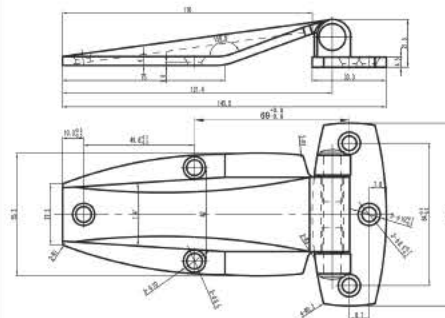
* Some parts may be lead time items.
Consult our sales department for
availability.



4.76" stainless hinge

Prod. #: **750-5865**

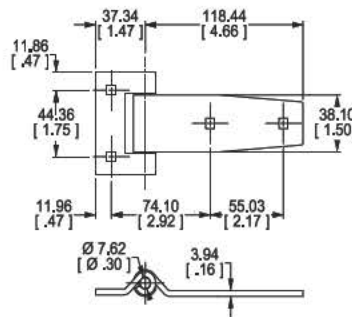
Flush mount
Polished stainless steel
Riveted universal pin



5" stainless hinge

Prod. #: **754-2404**

Flush mount
Polished stainless steel
with nylon washers.
Square holes

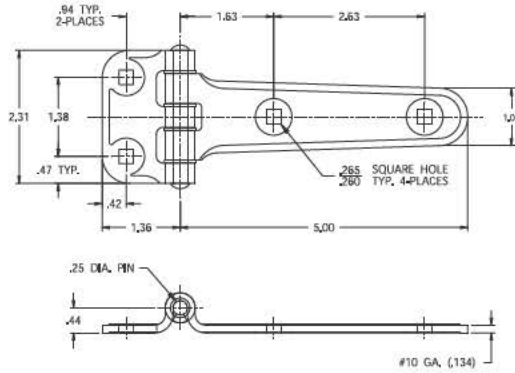


REV. 11/2015

5" stainless hinge

Prod. #: **754-0830**

Flush mount
Polished stainless steel
with square holes

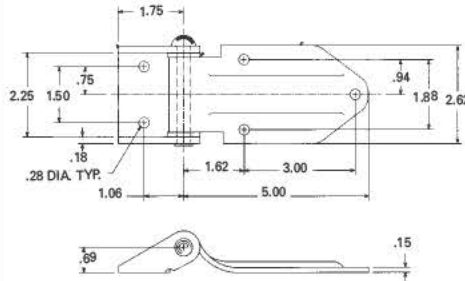


5" hinges

Prod. #: **754-0291** Fixed pin
Prod. #: **754-0340** Removable pin*

Flush mount
Zinc plated steel
Pins mounted on nylon bushings to
facilitate turning.

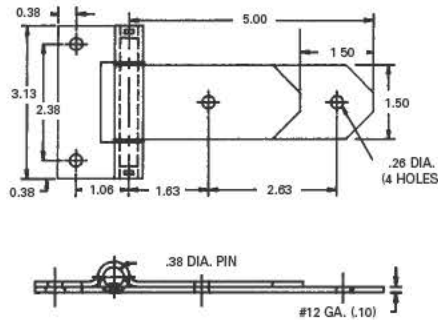
* As drawing except that the pin
is a 3/8" bolt with self-locking nut.



5" stainless hinge

Prod. #: **754-0206**

Flush mount
Stainless steel
Burnished finish



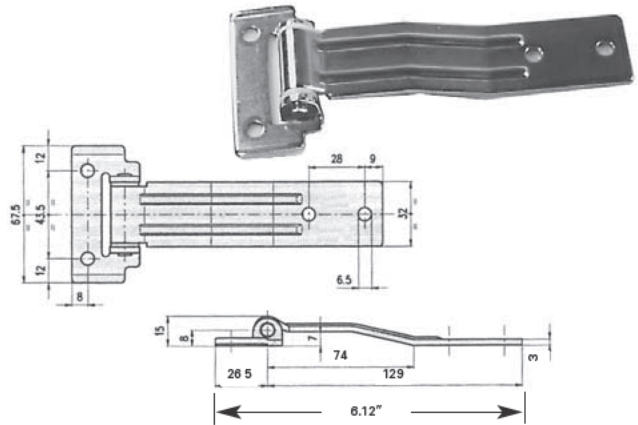
REV. 01/2011

5.08" over-the-seal stainless hinge

Prod. #: 754-0982

Flush mount
Polished stainless steel
Space for a door seal.

Measurements are metric



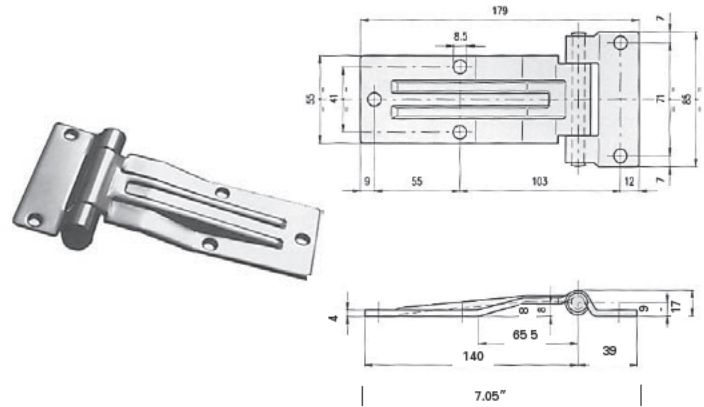
5.50" over-the-seal stainless hinge

Prod. #: 754-4070

Flush mount
Polished stainless steel
Space for a door seal.

5 stainless steel socket head screws $\frac{5}{16}$ -18 x $1 \frac{1}{4}$ " included.

Measurements are metric

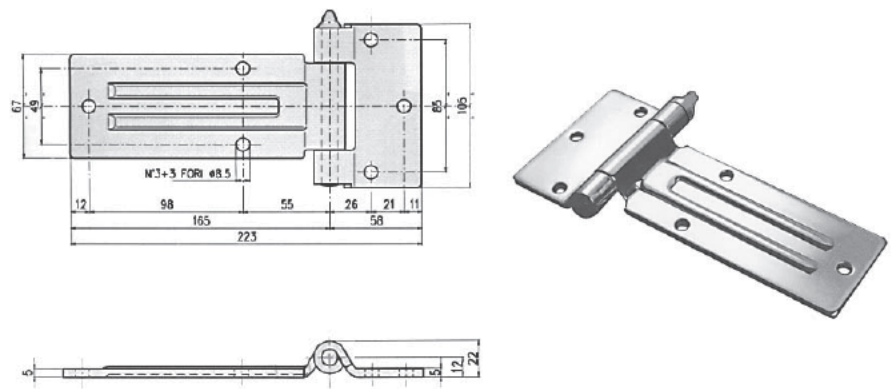


6.50" stainless hinge

Prod. #: 754-4056

Flush mount
Polished stainless steel
with grease fitting
6 stainless steel socket head screws $\frac{5}{16}$ -18 x $1 \frac{1}{4}$ " included.

Measurements are metric

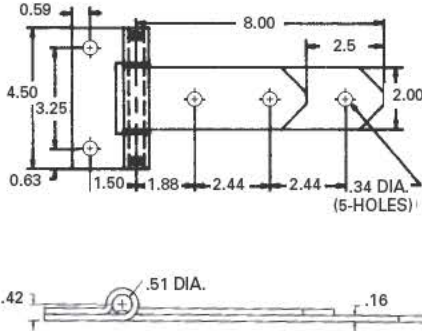


REV. 01/2011

8" stainless steel hinges

Prod. #: **754-0238** Flush
Prod. #: **754-0196** Offset 1/4"

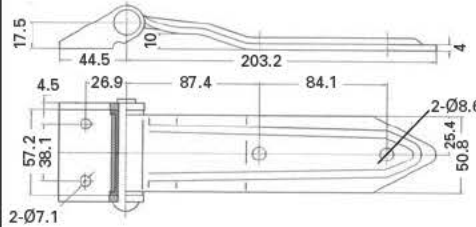
2" wide blade



8" over-the-seal hinge

Prod. #: **754-0358** RH

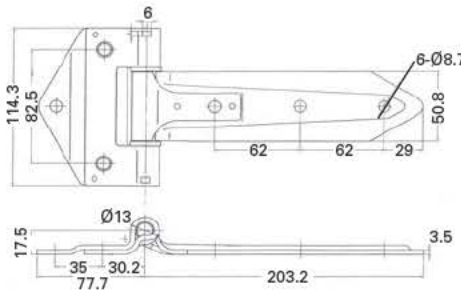
Flush mount
Zinc plated steel
Over the seal space for a door seal.
(See page F08)
Fixed pin mounted on nylon bushings



8" hinge

Prod. #: **754-0372**

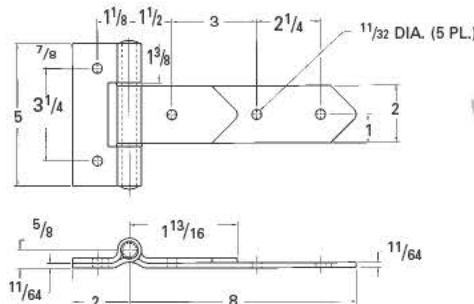
Flush mount
Zinc plated steel
Fixed pin



8" hinges

Prod. #: **754-1143** Zinc plated steel
Prod. #: **754-1471** Aluminum

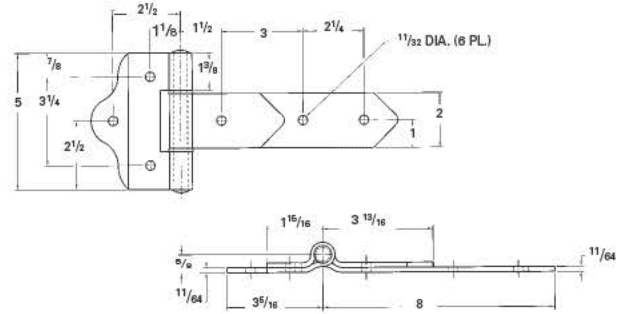
Flush mount
Free-flow pin with solid film lubricant
Aluminum: stainless steel pin



REV. 08/2014

8" hinges

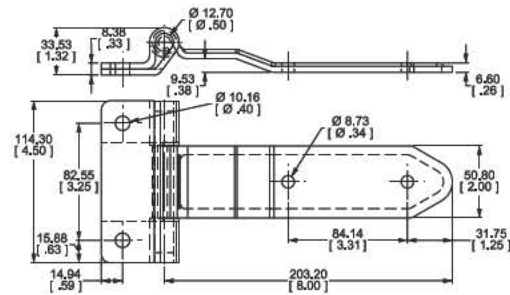
Prod. #: 754-1104 Aluminum, flush
Prod. #: 754-1217 Zinc plated steel, flush



8" over-the-seal hinge

Prod. #: 755-0074

Flush mount
Zinc plated steel
Space over the seal for a door seal.

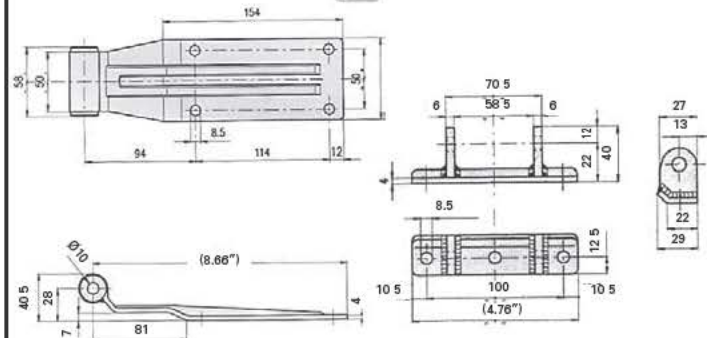


8.66" over-the-seal stainless hinge

Prod. #: 754-4088

Flush mount
Polished stainless steel
Space for a door seal.

7 stainless steel socket head screws 5/16"-18 x 1 1/4" included.



Measurements are metric

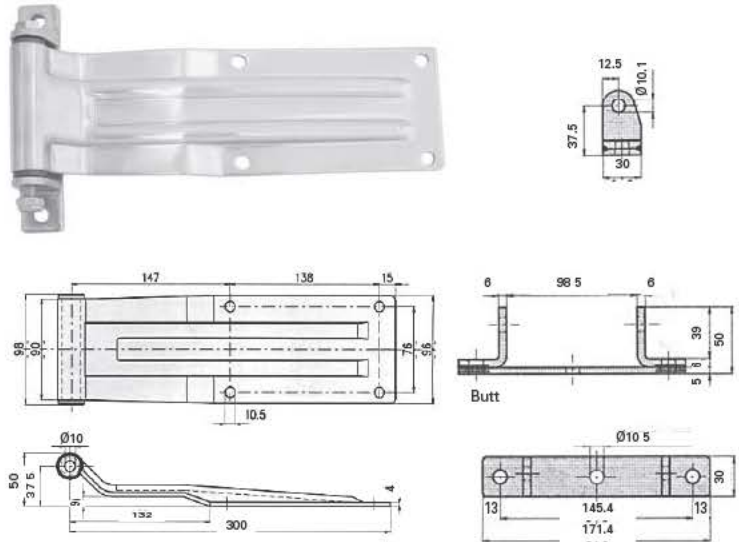
REV. 01/2011

11.81" over-the-seal stainless hinge

Prod. #: 755-1367

Flush mount
Polished stainless steel
Space for a door seal.
7 stainless steel socket head screws
3/8"-16 x 1 1/4" included.

Measurements are metric



12" stainless hinge

Prod. #: 754-0679 With 2" wide blade

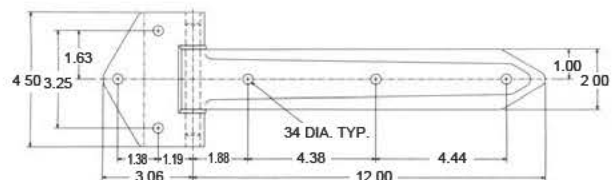
Flush mount
Stainless steel



12" hinge

Prod. #: 755-0035

Flush mount
Zinc plated steel
Fixed pin



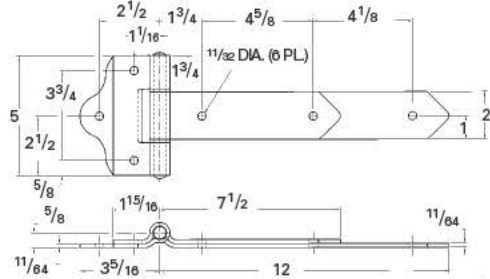
* Some parts may be lead time items.
Consult our sales department for availability.

REV. 04/2013

12" hinge

Prod. #: 755-1021

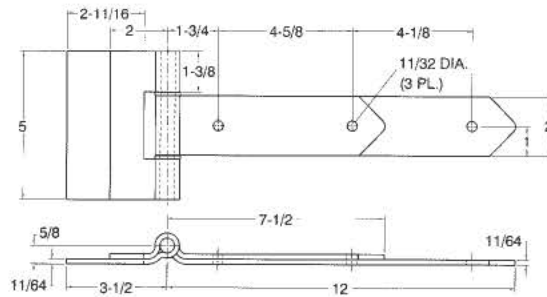
Offset $\frac{1}{8}$ "
Zinc plated steel



12" hinge

Prod. #: 755-1046

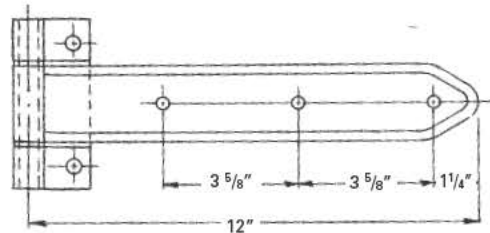
Flush mount
Zinc plated steel
Square butt



12" hinge

Prod. #: 755-0282

Flush mount
Zinc plated steel

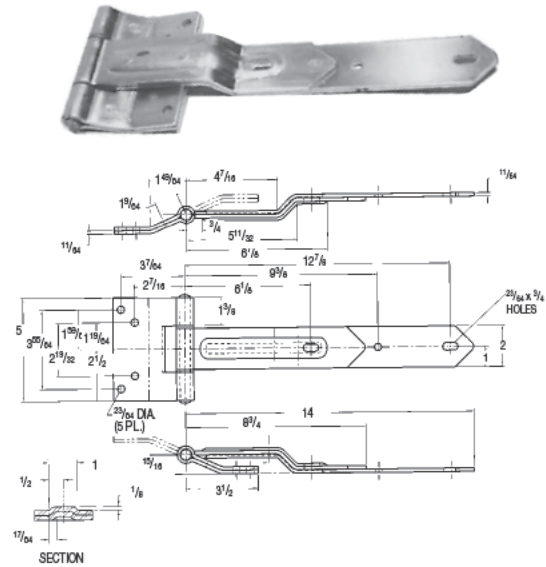


REV. 01/2011

14" hinge

Prod. #: 754-1150

Flush mount
Aluminum

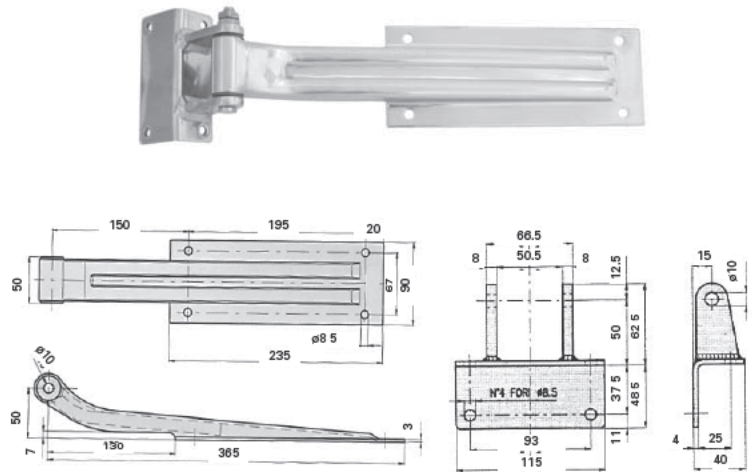


14.37" over-the-seal stainless hinge

Prod. #: 755-4008

Flush mount
Polished stainless steel
Space for a door seal.
8 stainless steel socket head screws
5/16"-18 x 1 1/4" included.

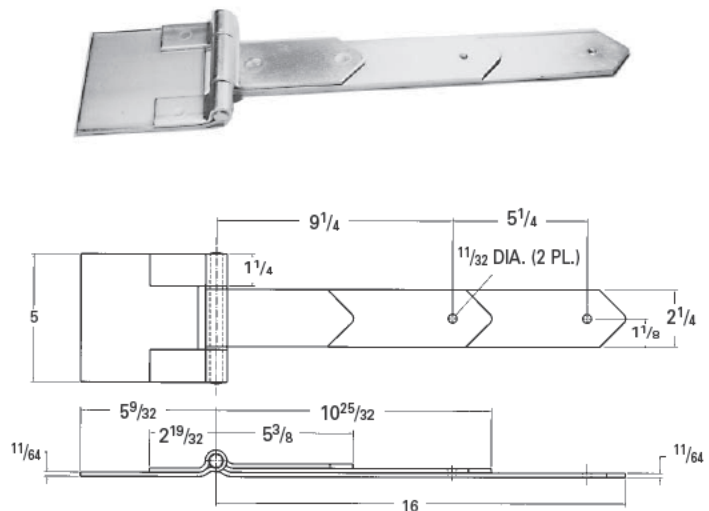
Measurements are metric



16" hinges

Prod. #: 755-1134 Zinc plated steel
Prod. #: 755-1141 Aluminum

Flush mount

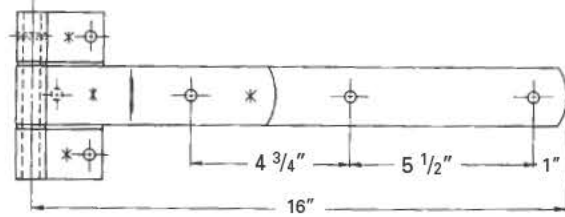


REV. 09/2011

16" hinge

Prod. #: 755-0229

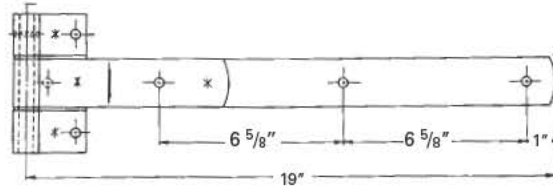
Offset 1/4"
Zinc plated steel



19" hinge

Prod. #: 755-0211

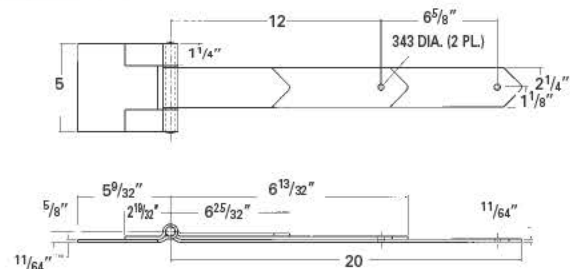
Offset 1/4"
Zinc plated steel



20" hinge

Prod. #: 755-1173

Flush mount
Zinc plated steel



REV. 01/2011