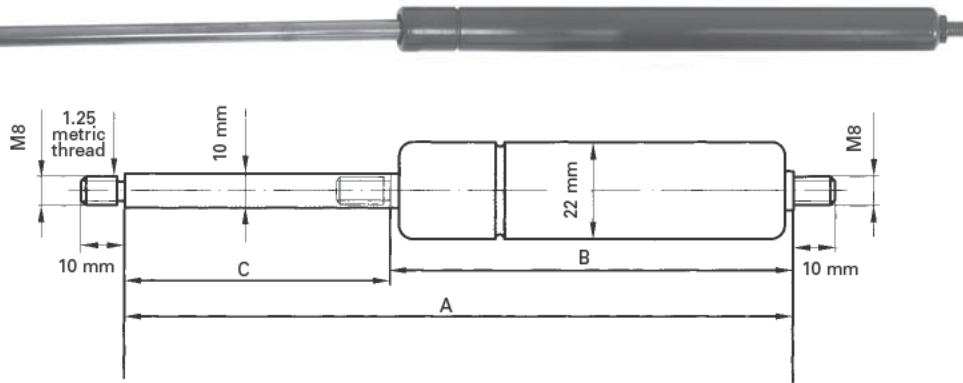




# **GAS SPRINGS & DRAWER SLIDES**

## Gas springs without end fittings

**Serie 777**



### Series 777: 10 mm X 22 mm

- To be ordered separately: ball type 777-7004, eye type 777-9996 end fittings; as well as ball studs 777-7017 (see page C09).
- Installation: rod down.

Prod. #	Force*			Extended length A**		Compressed length B**		Stroke length C	
	lbs.	kg	N	in.	mm	in.	mm	in.	mm
777-7117	50	23	233	18.25	463	10.19	258.7	8	204
777-7124	75	34	344	18.25	463	10.19	258.7	8	204
777-7131	100	45	456	18.25	463	10.19	258.7	8	204
777-7156	150	68	678	18.25	463	10.19	258.7	8	204
777-7170	200	90	889	18.25	463	10.19	258.7	8	204
777-7195	250	113	1112	18.25	463	10.19	258.7	8	204
777-7205	50	23	233	25.5	648	14.5	368.3	11	279
777-7212	75	34	344	25.5	648	14.5	368.3	11	279
777-7237	100	45	456	25.5	648	14.5	368.3	11	279
777-7251	150	68	678	25.5	648	14.5	368.3	11	279
777-7276	200	90	889	25.5	648	14.5	368.3	11	279
777-7290	250	113	1112	25.5	648	14.5	368.3	11	279

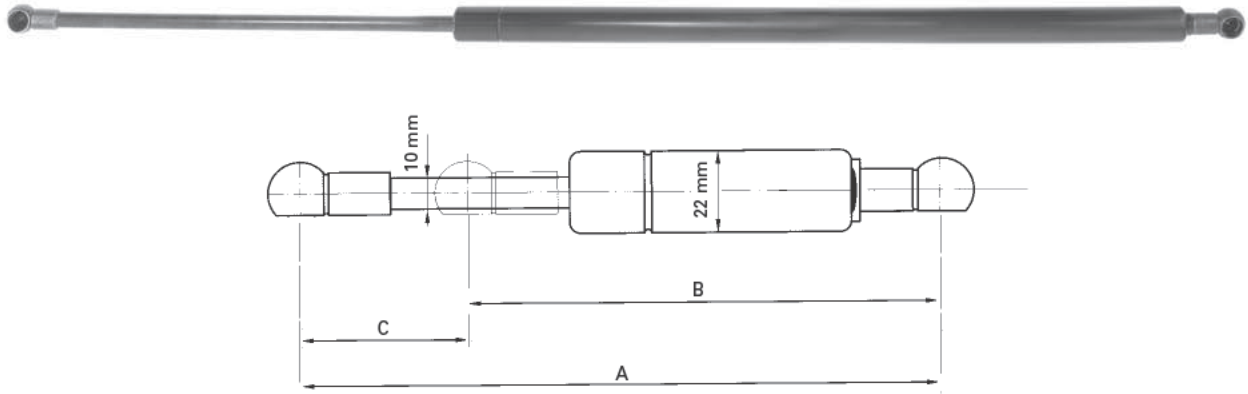
\* Force at 20°C. At -30°C reduction of 18% and at 80°C increase of 21%.

\*\* Add 2 3/8" (60 mm) if 777-7004 ball end fittings are used.

\*\* Add 1 5/16" (30 mm) if 777-9996 eye type end fittings are used.



**Gas springs with metal end fittings**



**Mandatory end fitting clip (777-7702) sold separately.**

- Metal end fittings can withstand a pulling force of 788 lbs.
- Ball studs **777-7017** sold separately (see page C09).
- Installation: rod down

**10 mm X 22 mm**

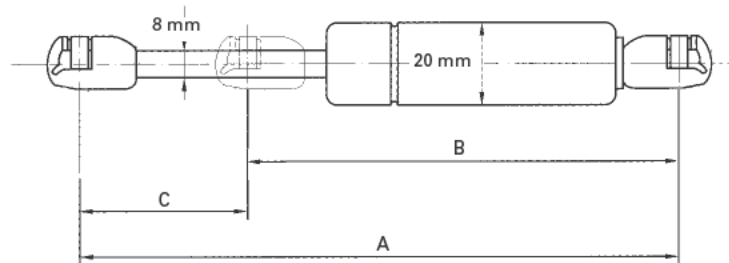
Prod. #	Force*			Extended length A		Compressed length B		Stroke length C	
	lbs.	kg	N	in.	mm	in.	mm	in.	mm
<b>777-7406</b>	158	72	700	21.22	540	12.77	325	8.44	215
<b>777-7413</b>	254	115	1130	21.22	540	12.77	325	8.44	215
<b>777-7301</b>	56	25	250	35.68	905	19.58	505	15.75	400
<b>777-7302</b>	79	36	350	35.68	905	19.58	505	15.75	400
<b>777-7303</b>	90	41	400	35.68	905	19.58	505	15.75	400
<b>777-7304</b>	124	56	550	35.68	905	19.58	505	15.75	400
<b>777-7305</b>	158	72	700	35.68	905	19.58	505	15.75	400
<b>777-7306</b>	203	92	900	35.68	905	19.58	505	15.75	400
<b>777-7307</b>	225	102	1000	35.68	905	19.58	505	15.75	400

\* Force at 20°C. At -30°C reduction of 18% and at 80°C increase of 21%.

REV. 06/2012

## Gas springs with composite end fittings

**Serie 777**



- Plastic end fittings can withstand a pulling force of 1,200 lbs.
- Ball studs 777-7036 and mounting brackets sold separately (see pages C08-09).
- Installation: rod down.

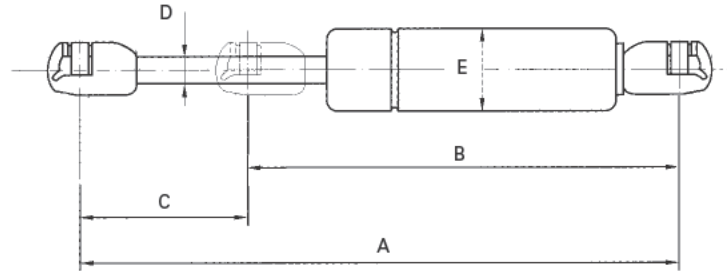
### Series 777: 8 mm X 20 mm

Prod. #	lbs.	Force*		Extended length A		Compressed length B		Stroke length C	
		kg	N	in.	mm	in.	mm	in.	mm
777-7614	30	14	142	12.5	317.5	8.25	209.5	4.25	108
777-7639	60	27	278	12.5	317.5	8.25	209.5	4.25	108
777-7653	90	41	400	12.5	317.5	8.25	209.5	4.25	108
777-7678	120	54	545	12.5	317.5	8.25	209.5	4.25	108
777-7692	150	68	678	12.5	317.5	8.25	209.5	4.25	108
777-7727	30	13	142	18	457	10.5	266.7	7.5	190.5
777-7741	60	27	278	18	457	10.5	266.7	7.5	190.5
777-7766	90	41	400	18	457	10.5	266.7	7.5	190.5
777-7780	120	54	545	18	457	10.5	266.7	7.5	190.5
777-7798	150	68	678	18	457	10.5	266.7	7.5	190.5

\*Force at 20°C. At -30°C reduction of 18% and at 80°C increase of 21%.



**Gas springs with composite end fittings**



- Plastic end fittings can withstand a pulling force of 1,200 lbs.
- Ball studs **777-7036** and mounting brackets sold separately (see pages C08-09).
- Installation: rod down.

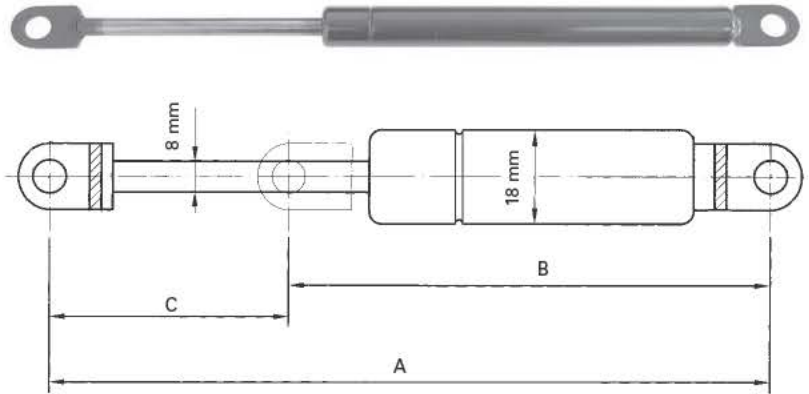
Prod. #	Force*			Extended length A		Compressed length B		Stroke length C		Rod dia. mm	Tube dia. mm
	lbs.	kg	N	in.	mm	in.	mm	in.	mm		
<b>6 mm (D) X 15 mm (E)</b>											
777-8717	17	8	78	18	457	11.25	285.7	6.75	171.4	6	15
<b>8 mm (D) X 18 mm (E)</b>											
777-0168	23	10	105	9.65	245	6.50	165	3.15	80	8	18
777-0175	34	15	150	9.65	245	6.50	165	3.15	80	8	18
777-0182	56	25	250	9.65	245	6.50	165	3.15	80	8	18
777-0217	90	41	400	9.65	245	6.50	165	3.15	80	8	18
777-0256	34	15	150	15.94	405	9.65	245	6.29	160	8	18
777-0263	56	25	250	15.94	405	9.65	245	6.29	160	8	18
777-0312	34	15	150	23.03	585	13.19	335	9.84	250	8	18
777-0337	56	25	250	23.03	585	13.19	335	9.84	250	8	18
777-0344	90	41	400	23.03	585	13.19	335	9.84	250	8	18

\* Force at 20°C. At -30°C reduction of 18% and at 80°C increase of 21%.

REV. 06/2012



## Gas spring with eye type end fittings

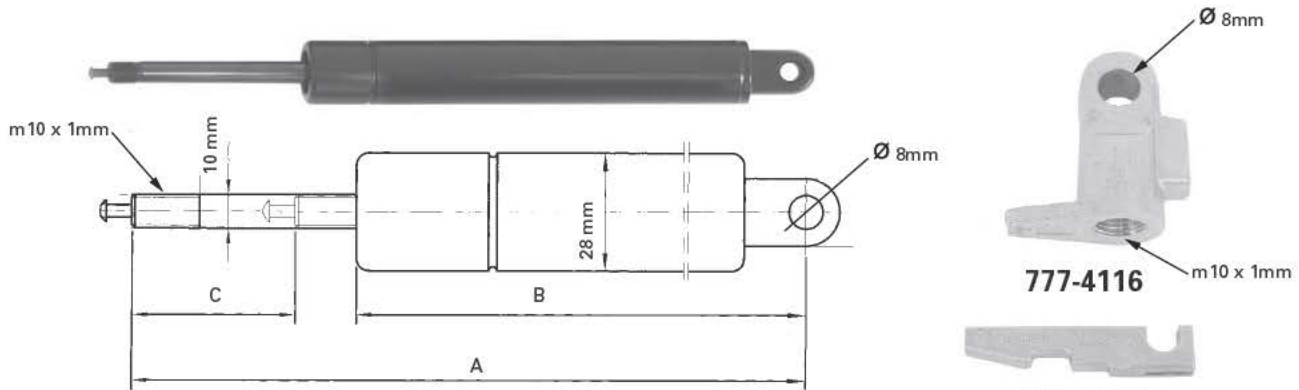


8 mm X 18 mm

Prod. #	Force*			Extended length A		Compressed length B		Stroke length C	
	lbs.	kg	N	in.	mm	in.	mm	in.	mm
777-0432	60	27	278	10	254	7	178	3.0	76

\* Force at 20°C. At -30°C reduction of 18% and at 80°C increase of 21%.

## Variable position locking gas spring



10 mm X 28 mm

- A gas spring with the ability to lock in many positions over the stroke.
- Mainly used for reclining seats and the back of pivoting seats.
- Boden release head **777-4116** and lever **777-4099** sold separately.

Prod. #	Force*			Extended length A		Compressed length B		Stroke length C	
	lbs.	kg	N	in.	mm	in.	mm	in.	mm
777-0947	112	51	500	10.4	265	7.36	187	2.36	60

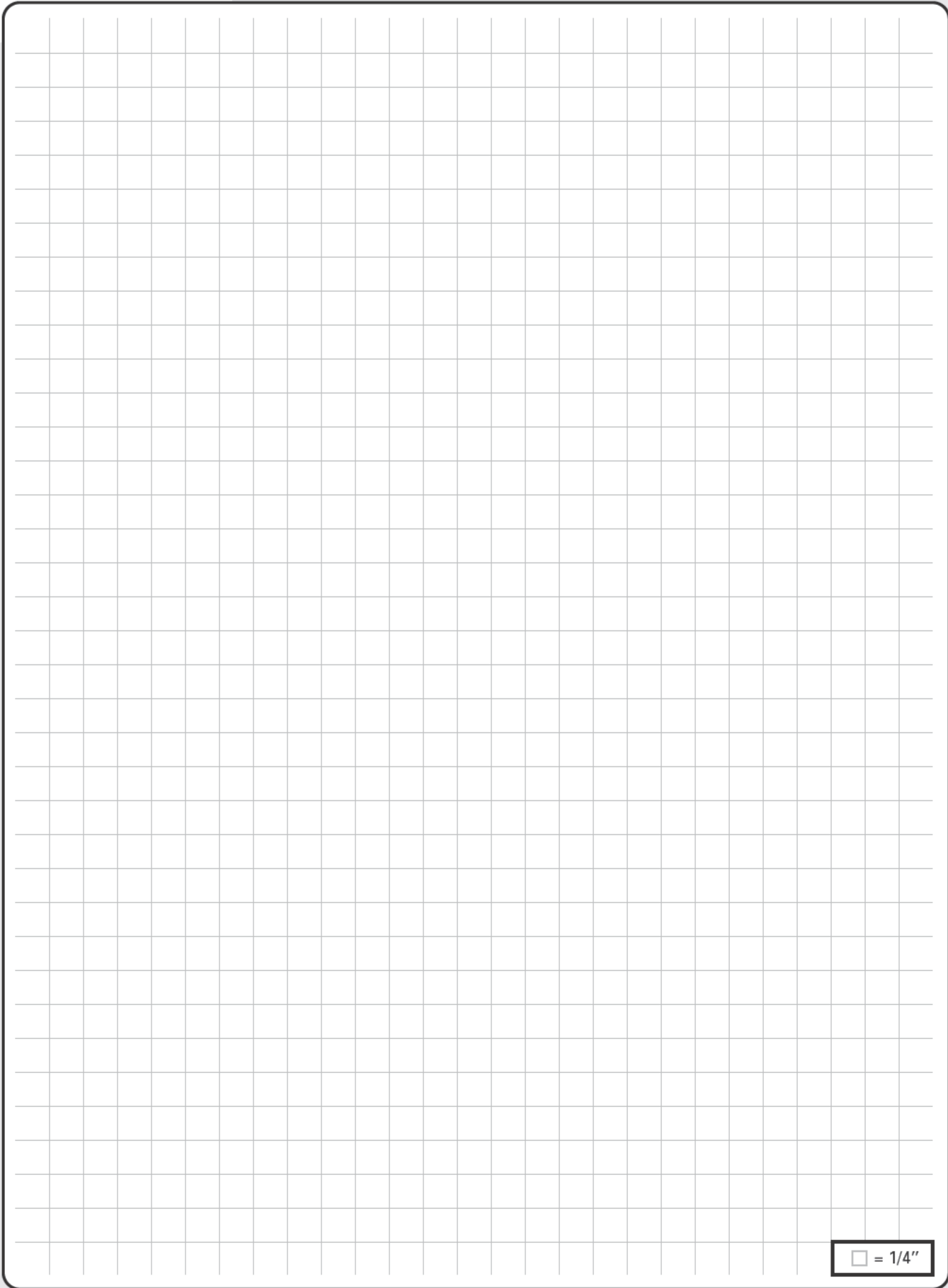
\* Force at 20°C. At -30°C reduction of 18% and at 80°C increase of 21%.



**777-4000** 5 : 1  
**777-4010** 10 : 1 (ill.)

**979-0226**  
M10 x 1  
plain steel  
hex nut

REV. 11/2015



**C**

**GAS SPRINGS AND DRAWER SLIDES**

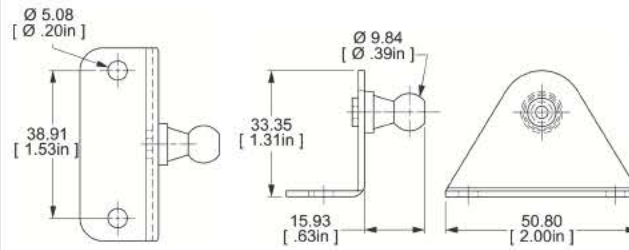
□ = 1/4"

REV. 11/2015

## Mounting bracket

Prod. #: 777-4525

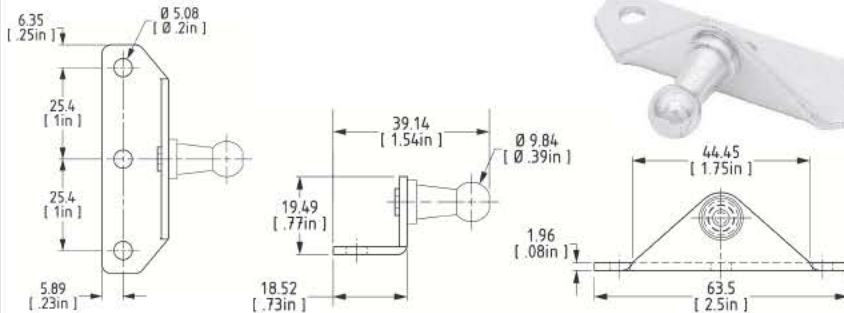
10 mm ball — Steel



## Mounting bracket

Prod. #: 777-7420

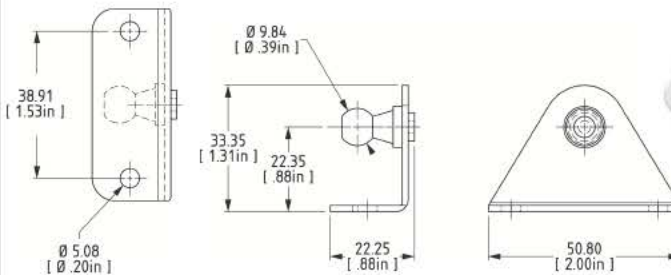
10 mm ball — Steel



## Mounting bracket

Prod. #: 777-4500

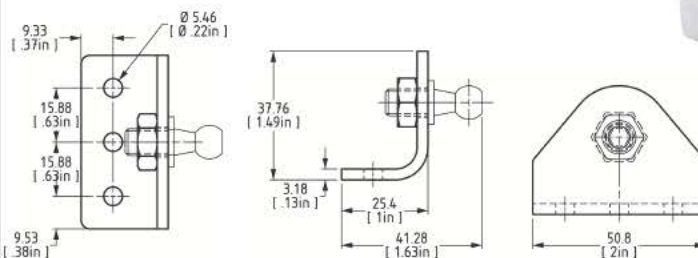
10 mm ball — Steel



## Mounting bracket

Prod. #: 777-4959

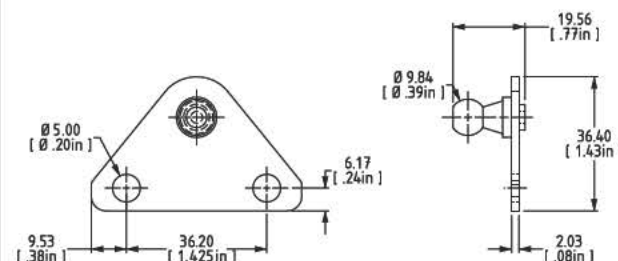
10 mm ball — Aluminum



## Mounting bracket

Prod. #: 777-4557

10 mm ball — Steel



REV. 11/2015



## Ball type end fitting

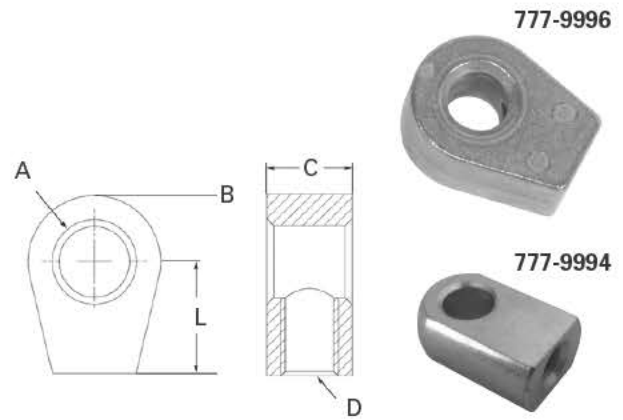


Prod. #	For ball stud diameter	L (mm)	D	Safety clip Included	Finish
777-7004	13mm	30	M8 x 1.25mm	Yes	Zinc
777-7003	10mm	18	M6 x 1.00mm	Yes	Zinc
777-7002	10mm	25	M8 x 1.25mm	No	Zinc
777-7012	10mm	25	M8 x 1.25mm	Yes	Black

Replacement safety clips  
(For 13 mm ball studs: 777-7702)  
(For 10 mm ball studs: 777-7734)



## Eye type end fitting

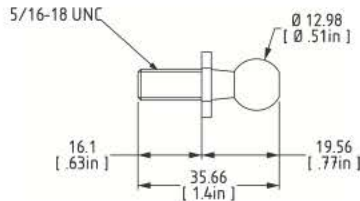


Prod. #	A	B	C	D	L
777-9996	8	26	12	M8 x 1.25mm	16
777-9994	8	24	10	M6 x 1.00mm	16

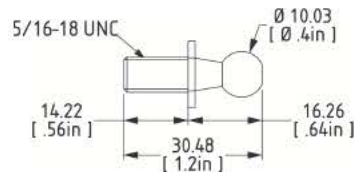
Dimensions are in millimeters.

## Ball stud

Prod. #: 777-7017 13 mm ball — Steel



Prod. #: 777-7036 10 mm ball — Steel



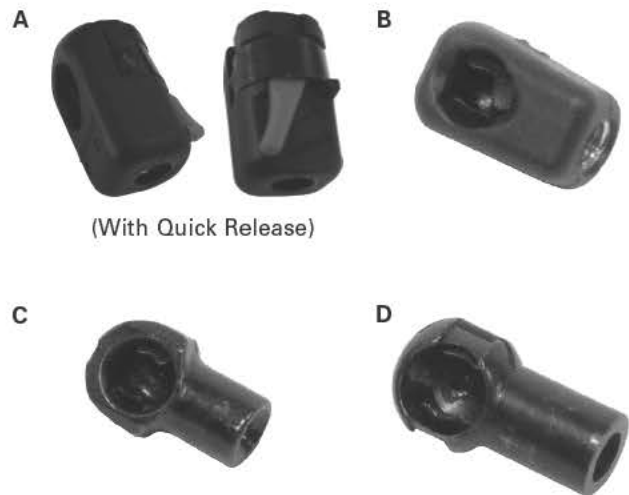
## D socket end fitting

Plastic

Prod. #	For ball stud diameter	L (mm)	D	Type	Finish
777-7001	10mm	18	M6 x 1.00mm	A	Black
777-7000	10mm	18	M6 x 1.00mm	B	Black
777-7008	10mm	18	M8 x 1.25mm	B	Black

Metal

Prod. #	For ball stud diameter	L (mm)	D	Type	Finish
777-7607	10mm	18	M6 x 1.00mm	C	Black
777-7609	13mm	25	M8 x 1.25mm	D	Black



(With Quick Release)

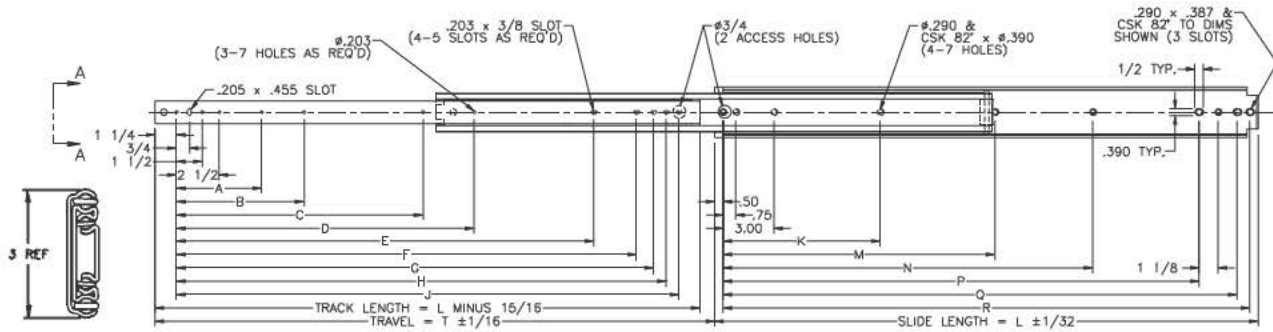
REV. 11/2015

## Extra heavy-duty drawer slides (500 lbs Series)



(Sold per pair)

- Telescopic precision full extension ball bearing slide, with 3/4" [19-mm] installation width, screw-on assembly, in 13 standard lengths.
- Precision steel ball bearings provide high lateral stability and smooth action.
- Improved screw access through intermediate member.
- Some parts may be lead time items. Consult our sales department for availability.



		776-2505	776-2512	776-2537	776-2544	776-2551	776-2569	776-2576	776-2583	776-2706	776-2590	776-2600	776-2939	776-2625	776-3795	776-3812	776-2618
SLIDES LENGTH IN INCHES	L	12	14	16	18	20	22	24	26	28	30	32	34	36	40	42	48
TRAVEL	T	12	14	16	18	20	22	24	26	28	30	32	34	36	40	42	48
CENTER TRACK MOUNTING HOLE LOCATIONS	A	—	—	5	5	5	5	5	5	5	5	5	5	5	5	5	5
	B	—	—	—	—	7 1/2	7 1/2	7 1/2	7 1/2	7 1/2	7 1/2	7 1/2	7 1/2	7 1/2	7 1/2	7 1/2	7 1/2
	C	—	—	—	—	—	—	—	—	—	14 1/2	14 1/2	14 1/2	14 1/2	14 1/2	14 1/2	14 1/2
	D	—	—	—	—	—	—	—	—	—	—	—	18 1/2	20 1/2	24 1/2	28 1/2	30 1/16
	E	—	—	—	9 9/16	11 9/16	13 9/16	15 9/16	17 9/16	19 9/16	21 9/16	23 9/16	25 9/16	27 9/16	31 9/16	33 9/16	39 9/16
	F	6 1/16	8 1/16	10 1/16	12 1/16	14 1/16	16 1/16	18 1/16	20 1/16	22 1/16	24 1/16	26 1/16	28 1/16	28 1/16	30 1/16	34 1/16	36 1/16
OUTER CHANNEL MOUNTING HOLE LOCATIONS	G	7 1/16	9 1/16	11 1/16	13 1/16	15 1/16	17 1/16	19 1/16	21 1/16	23 1/16	25 1/16	27 1/16	29 1/16	31 1/16	35 1/16	37 1/16	43 1/16
	H	7 13/16	9 13/16	11 13/16	13 13/16	15 13/16	17 13/16	19 13/16	21 13/16	23 13/16	25 13/16	27 13/16	29 13/16	31 13/16	35 13/16	37 13/16	43 13/16
	J	8 9/16	10 9/16	12 9/16	14 9/16	16 9/16	18 9/16	20 9/16	22 9/16	24 9/16	26 9/16	28 9/16	30 9/16	32 9/16	36 9/16	38 9/16	44 9/16
	K	—	—	—	—	—	—	—	—	—	9 1/4	9 1/4	9 1/4	9 1/4	9 1/4	9 1/4	16
M	—	—	—	—	—	—	—	—	—	—	15 1/2	16 1/2	17 1/2	19 1/2	21 1/2	—	
N	—	—	—	—	—	—	—	—	—	—	19 3/4	21 3/4	23 3/4	25 3/4	29 3/4	31 3/4	31
P	8	10	12	14	16	18	20	22	24	26	28	30	32	36	38	44	
Q	10 1/4	12 1/4	14 1/4	16 1/4	18 1/4	20 1/4	22 1/4	24 1/4	26 1/4	28 1/4	30 1/4	32 1/4	34 1/4	38 1/4	40 1/4	46 1/4	
R	11	13	15	17	19	21	23	25	27	29	31	33	35	39	41	47	
LOAD RATING (lbs./pr.)		500	500	500	500	460	430	410	400	390	380	370	360	350	320	310	280
WEIGHT PER PAIR		7.0	8.2	9.2	10.6	11.6	12.8	14.0	15.0	16.2	17.4	18.6	19.8	20.0	23.4	26.0	30.0

GAS SPRINGS AND DRAWER SLIDES

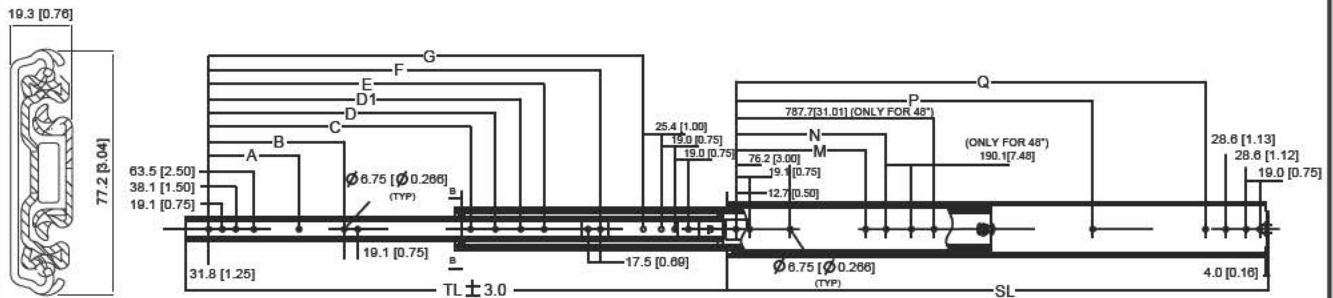


**Extra heavy-duty drawer slides (500 lbs Series)**



**(Sold per pair)**

- Double-folded inner and intermediate member for superior strength.
- Precision steel ball bearings for extremely silent movement with silencing bumpers.
- Full extension with 3/4" (19.3mm) installation.
- Hole size to fit 1/4" (6.35mm) fasteners for inner and outer members.
- Electro zinc plated.
- Some parts may be lead time items. Consult our sales department for availability.



		776-4005	776-4012	776-4037	776-4044	776-4051	776-4069	776-4076	776-4083	776-4090	776-4100	776-4118	776-4125	776-4157	776-4164	776-4189	776-4196	
<b>SLIDES LENGTH IN INCHES</b>	SL	12	14	16	18	20	22	24	26	28	30	32	34	36	40	42	48	
<b>TRAVEL</b>	TL	12	14	16	18	20	22	24	26	28	30	32	34	36	40	42	48	
<b>CENTER TRACK MOUNTING HOLE LOCATIONS</b>	A	-	-	5	5	5	5	5	5	5	5	5	5	5	5	5	5	
	B	-	-	-	-	7 1/2	7 1/2	7 1/2	7 1/2	7 1/2	7 1/2	7 1/2	7 1/2	7 1/2	7 1/2	7 1/2	7 1/2	
	C	-	-	-	-	-	-	-	-	-	14 1/2	14 1/2	14 1/2	14 1/2	14 1/2	14 1/2	14 1/2	
	D	-	-	-	-	-	-	-	-	-	-	-	18 1/2	20 1/2	24 1/2	26 1/2	28 1/2	
	D1	-	-	-	-	-	-	-	-	-	-	-	-	-	-	28 1/2	30 1/16	
	E	-	-	-	-	-	-	-	-	-	-	-	-	-	-	-	-	32 1/2
	F	-	-	-	9 11/16	11 11/16	13 11/16	15 11/16	17 11/16	19 11/16	21 11/16	23 11/16	25 11/16	27 11/16	31 11/16	33 9/16	39 9/16	39 9/16
G	6 1/16	8 1/16	10 1/16	12 1/16	14 1/16	16 1/16	18 1/16	20 1/16	22 1/16	24 1/16	26 1/16	28 1/16	30 1/16	34 1/16	36 1/16	42 1/16	42 1/16	
<b>OUTER CHANNEL MOUNTING HOLE LOCATIONS</b>	M	-	-	-	-	-	-	-	-	-	9 1/4	9 1/4	9 1/4	9 1/4	9 1/4	9 1/4	9 1/4	
	N	-	-	-	-	-	-	-	-	-	-	15 1/2	16 1/2	17 1/2	19 1/2	21 1/2	16	
	P	-	-	-	-	-	-	-	-	-	19 3/4	21 3/4	23 3/4	25 3/4	29 3/4	31 3/4	37 3/4	
	Q	8	10	12	14	16	18	20	22	24	26	28	30	32	36	38	44	
<b>LOAD RATING (lbs./pr.)</b>		500	500	500	500	460	430	410	400	390	380	370	360	350	320	300	290	
<b>WEIGHT PER PAIR</b>		6,88	8,03	9,13	10,29	11,44	12,6	13,75	14,85	16,06	17,16	18,26	19,47	20,57	22,88	24,2	27,5	

REV. 01/2011

## Extra heavy-duty drawer slides ( 500 lbs Series)

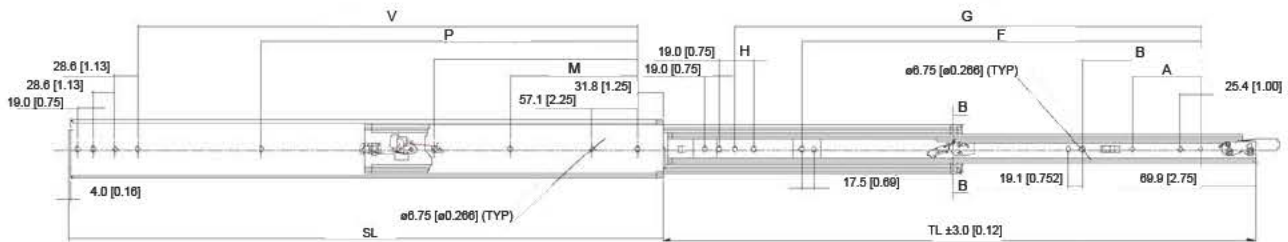
# LOCK-IN / LOCK-OUT

GAS SPRINGS AND DRAWER SLIDES



**(Sold per pair)**

- Lock-in and/or lock-out feature.
- Side clearance: 3/4" (19,3 mm) plus 1/64"
- Height: 3,04" (77,22 mm)
- Zinc plated
- Some parts may be lead time items. Consult our sales department for availability.



Prod. #	Size	Slide Travel mm	A mm	B mm	F mm	G mm	H mm	M mm	P mm	V mm
776-4319	12"									
776-4333	14"	355.6				192.1				234.9
776-4340	16"	406.4	88.9			242.9				285.7
776-4358	18"	457.2	88.9		208.0	293.7	25.4			336.5
776-4365	20"	508.0	88.9	152.4	258.8	344.5	25.4			387.3
776-4372	22"	558.8	88.9	152.4	309.6	395.3	25.4			438.1
776-4397	24"	609.6	88.9	152.4	360.4	446.1	25.4			488.9
776-1967	26"	660.4	88.9	152.4	411.2	496.9	25.4			539.7
776-1942	28"	711.2	88.9	152.4	462.0	547.7	25.4			590.5

REV. 01/2011

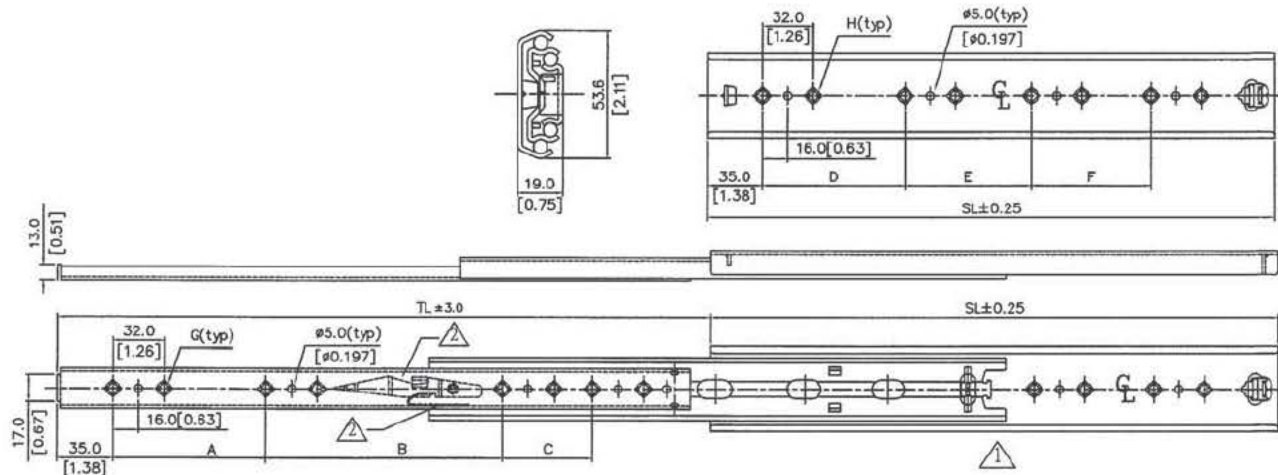
**Heavy-duty drawer slides (250 lbs Series)**

**LEVER DISCONNECT**



**(Sold per pair)**

- With Metal Lever Disconnect
- Side clearance:  $\frac{3}{4}$ " (19.05 mm) plus  $\frac{1}{64}$ ", minus 0" each side
- Height:  $2 \frac{7}{64}$ "
- Zinc plated
- Some parts may be lead time items. Consult our sales department for availability.



Prod. #	Size	Slide Travel mm	A mm	B mm	C mm	D mm	E mm	F mm
776-2262	12"	328.0	192.0			192.0		
776-3019	14"	377.0	224.0			224.0		
776-2181	16"	426.0	96.00	192.0		160.0	128.0	
776-2047	18"	475.0	128.0	192.0		192.0	128.0	
776-2199	20"	525.0	160.0	224.0		224.0	160.0	
776-2086	22"	574.0	160.0	256.0		224.0	192.0	
776-2255	24"	623.0	192.0	256.0		256.0	192.0	
776-2128	26"	672.0	224.0	256.0		288.0	192.0	
776-2135	28"	721.0	256.0	256.0		320.0	192.0	
776-2167	30"	771.0	224.0	224.0	160.0	224.0	224.0	160.0
776-2015	32"	820.0	224.0	224.0	224.0	224.0	224.0	224.0
776-1981	34"	869.0	256.0	256.0	192.0	256.0	256.0	192.0
776-1893	36"	918.0	256.0	256.0	256.0	256.0	256.0	256.0

REV. 11/2011

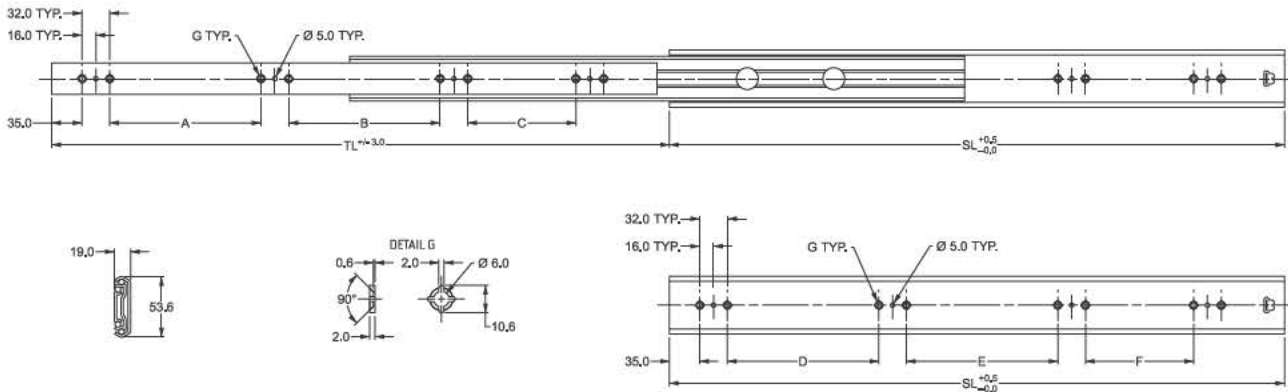


## Heavy-duty drawer slides (200 lbs Series)



**(Sold per pair)**

- Full extension in 1" over travel
- Side clearance: 3/4" (19.05 mm) plus 1/64", minus 0" each side
- Height: 2 7/64"
- 32 mm hole pattern
- Zinc plated
- Some parts may be lead time items. Consult our sales department for availability.



Prod. #	Size	Slide Length mm	Slide Travel mm	A mm	B mm	D mm	E mm
776-1477	12"	300.0	328.0	128.0		128.0	
776-1484	14"	350.0	377.0	192.0		192.0	
776-1491	16"	400.0	426.0	96.0	96.0	96.0	96.0
776-1501	18"	450.0	475.0	128.0	128.0	128.0	128.0
776-1519	20"	500.0	525.0	160.0	128.0	160.0	128.0
776-1526	22"	550.0	574.0	160.0	192.0	160.0	192.0
776-1533	24"	600.0	623.0	224.0	192.0	224.0	192.0
776-1540	26"	650.0	672.0	224.0	224.0	224.0	224.0

REV. 01/2011

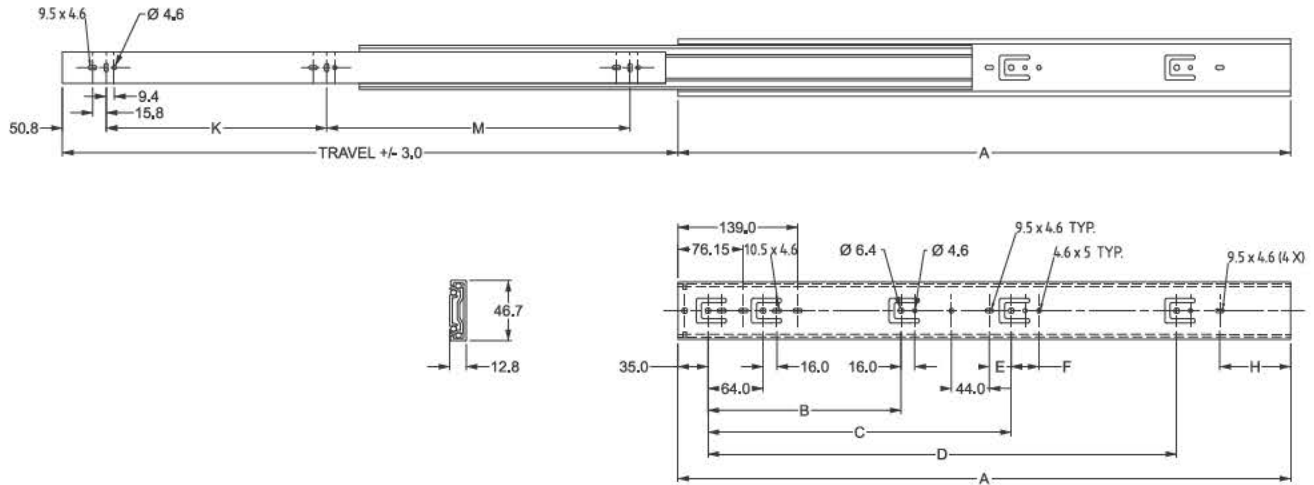
**Light duty drawer slides ( 130 lbs Series)**

**LEVER DISCONNECT**



**(Sold per pair)**

- Full extension
- Side clearance: 12.8 mm plus 0.8 mm, minus 0" each side
- Height: 2 7/32" (46,7 mm)
- 32 mm hole pattern
- Zinc plated
- Some parts may be lead time items. Consult our sales department for availability.



Prod. #	Size	Slide Travel mm	A mm	B mm	C mm	D mm	E mm	F mm	H mm	K mm	M mm
776-1269	12"	304.8	304.8	224.0						96.0	128.0
776-1276	14"	355.8	355.8	224.0					46.6	128.0	128.0
776-1283	16"	406.4	406.4	224.0	288.0				33.4	160.0	160.0
776-1290	18"	457.2	457.2	224.0	352.0		25.45	32.15		160.0	192.0
776-1300	20"	508.0	508.0	224.0	352.0	416.0	25.45	32.15		192.0	224.0
776-1318	22"	558.8	558.8	224.0	352.0	416.0	25.45	32.15	57.8	224.0	256.0
776-1325	24"	609.6	609.6	224.0	352.0	480.0	25.45	32.15	44.8	256.0	256.0
776-1332	26"	660.4	660.4	224.0	352.0	544.0	25.45	32.15		256.0	320.0
776-1357	28"	711.2	711.2	224.0	352.0	544.0	25.45	32.15	82.2	256.0	352.0

REV. 01/2011

## Light duty drawer slides (100 lbs Series)

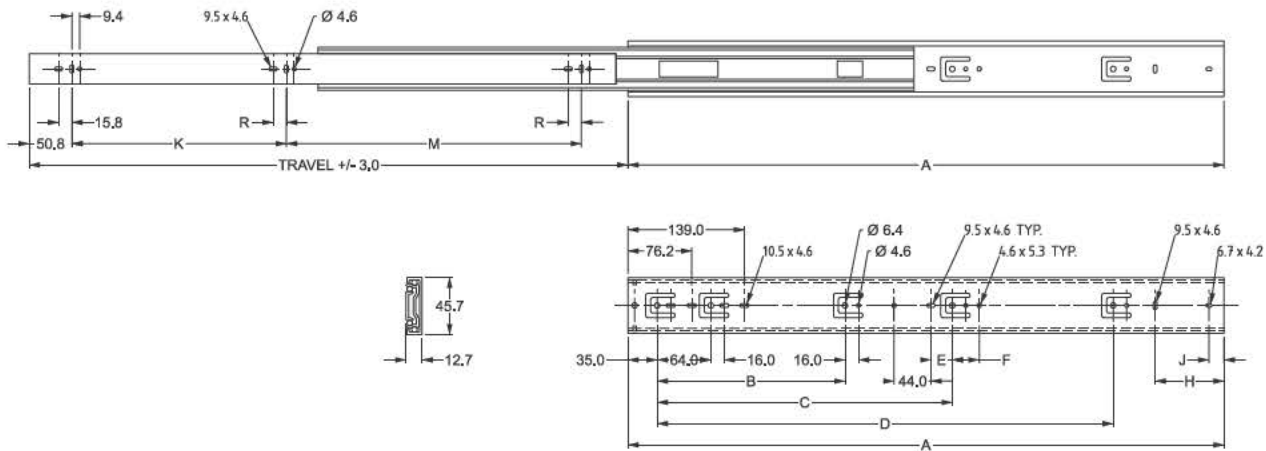
# LEVER DISCONNECT

GAS SPRINGS AND DRAWER SLIDES



**(Sold per pair)**

- Full extension
- Side clearance: 1/2" plus 1/32", minus 0" each side
- Height: 1 13/16" (45,7 mm)
- 32 mm hole pattern
- Zinc plated
- Some parts may be lead time items. Consult our sales department for availability.



Prod. #	Size	Slide Travel mm	A mm	B mm	C mm	D mm	E mm	F mm	H mm	J mm	K mm	M mm	R mm
776-1364	10"	254.0	254.0	160.0						18.0	169.5		
776-1371	12"	304.8	304.8	224.0							96.0	128.0	15.8
776-1389	14"	355.8	355.6	224.0					46.6	18.0	128.0	128.0	15.8
776-1396	16"	406.4	406.4	224.0	288.0				33.4	18.0	160.0	160.0	15.8
776-1406	18"	457.2	457.2	224.0	352.0		25.45	32.15		18.0	160.0	192.0	15.8
776-1413	20"	508.0	508.0	224.0	352.0	416.0	25.45	32.15		18.0	192.0	224.0	15.8
776-1420	22"	558.8	558.8	224.0	352.0	416.0	25.45	32.15	57.8	18.0	224.0	256.0	15.8
776-1438	24"	609.6	609.6	224.0	352.0	480.0	25.45	32.15	44.8	18.0	256.0	256.0	15.8
776-1445	26"	660.4	660.4	224.0	352.0	544.0	25.45	32.15		18.0	256.0	320.0	15.8
776-1452	28"	711.2	711.2	224.0	352.0	544.0	25.45	32.15	82.2	18.0	256.0	320.0	15.8

REV. 01/2011