

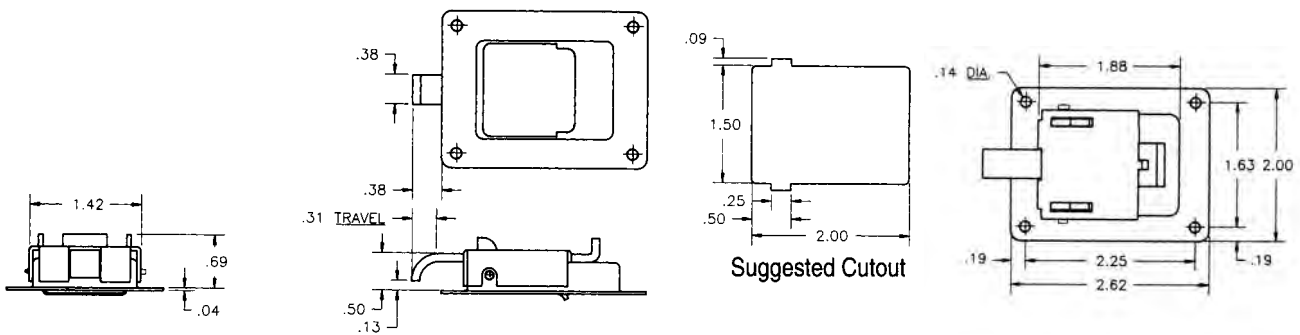
**B**

**LOCKS & LATCHES**

## Mini tool box lock

Prod. #: 696-5037

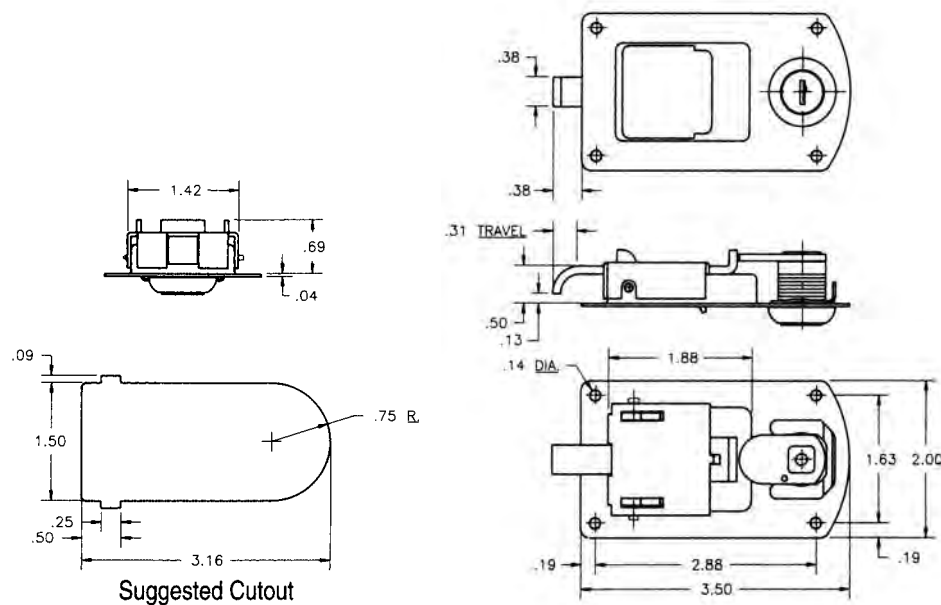
Ideal for small doors, electric panels and small cabinets.  
Non-locking  
2.62" x 2"  
Nickel  
4 mounting holes



## Mini tool box lock

Prod. #: 695-5014

Ideal for small doors, electric panels and small cabinets.  
Locking, key # CH 545  
3.50" x 2"  
Nickel  
4 mounting holes



REV. 01/2012

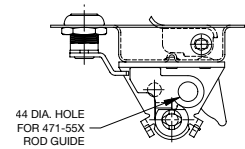
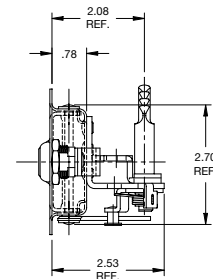
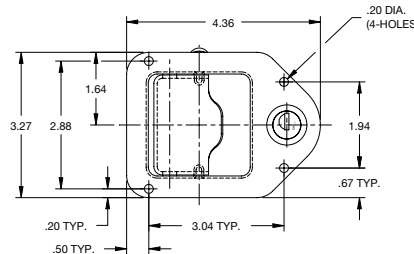
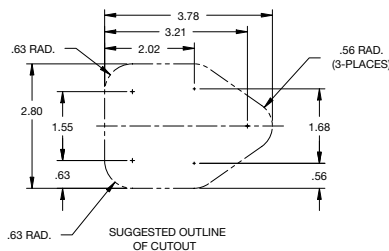
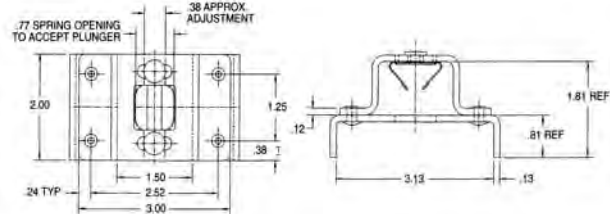
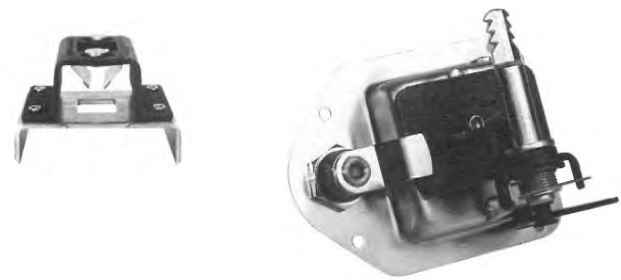
## Stainless steel tool box lock

4.36" x 3.27" – Stainless steel

Self aligning striker bracket featuring up to  $\frac{3}{8}$ " horizontal adjustment very forgiving for latch misalignment.

Possible to connect 2 locks with a rod.

Prod. #	Description
690-0181	Locking
690-0174	Striker
700-0948	Rod guide/adaptor (2 req.)
700-1162	$\frac{1}{4}$ " x 36 Rod



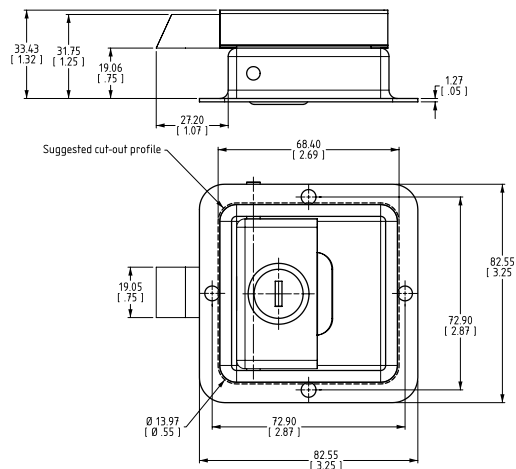
## Stainless steel tool box locks

3.25" x 3.25"

Stainless steel

4 mounting holes and bolt.

Prod. #	Description
<b>Non-locking</b>	
696-7228	45° bolt
<b>Locking</b>	
695-9890	45° bolt



REV. 09/2015

## Stainless steel tool box locks

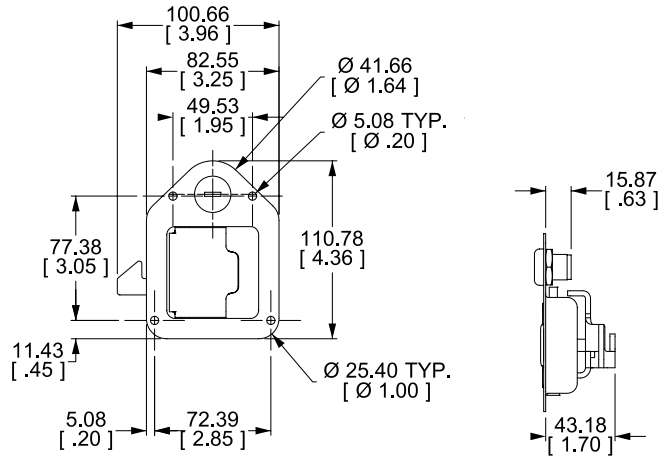
3.25" x 4.36"

Stainless steel

4 mounting holes and hook.

Possible to connect 2 locks with a rod.

Prod. #	Description
695-1041	Non-locking
695-1066	Locking
700-0948	Rod connector (2 req.)
700-1162	1/4" x 36" Rod
695-8230	Mounting gasket, neoprene



## Stainless steel tool box lock

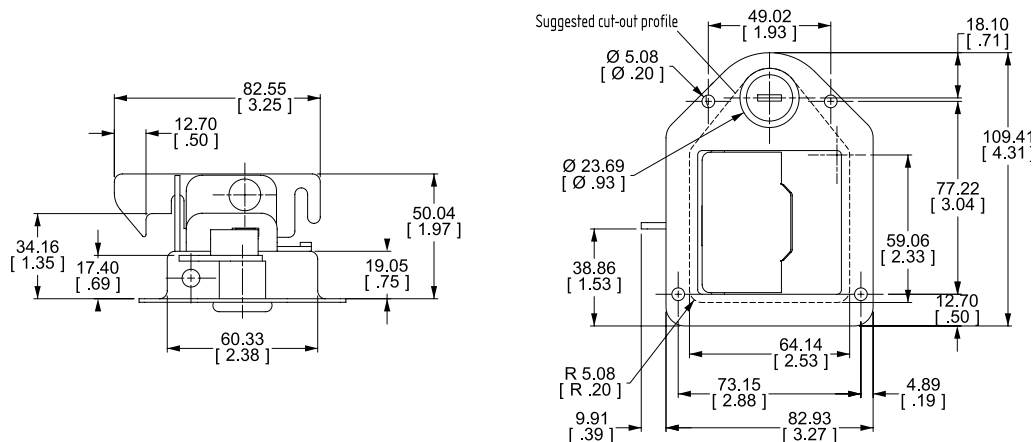
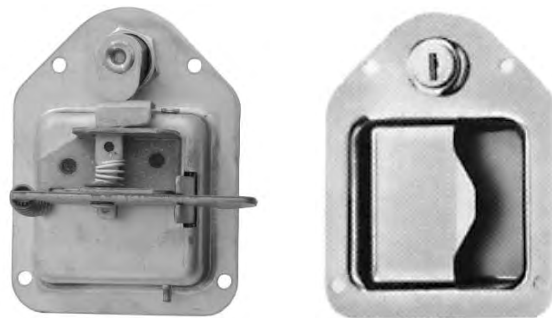
Locking

4.37" x 3.27"

Stainless steel

4 mounting holes with hook.

Prod. #	Description
695-8865	Stainless steel, locking
695-8230	Mounting gasket, neoprene

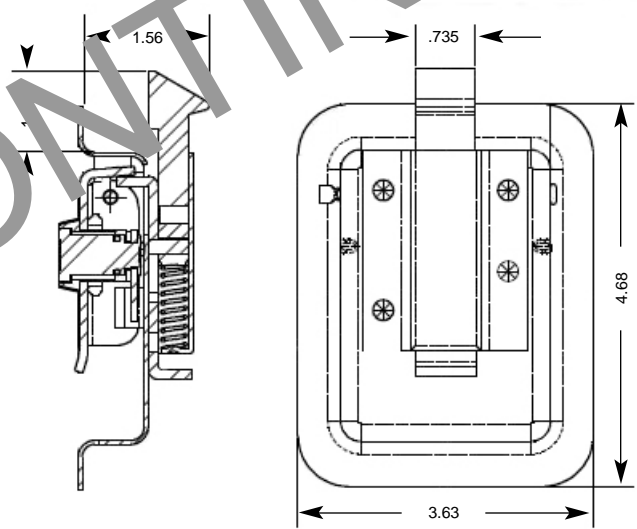


REV. 01/2011

**Paddle handle**

Prod. #: **695-1098**    Keyed CH 501

4.68" x 3.63"  
Zinc plated  
No holes  
30° long angle slam bolt



DISCONTINUED

**B**  
LOCKS & LATCHES

**Stainless steel paddle handles**

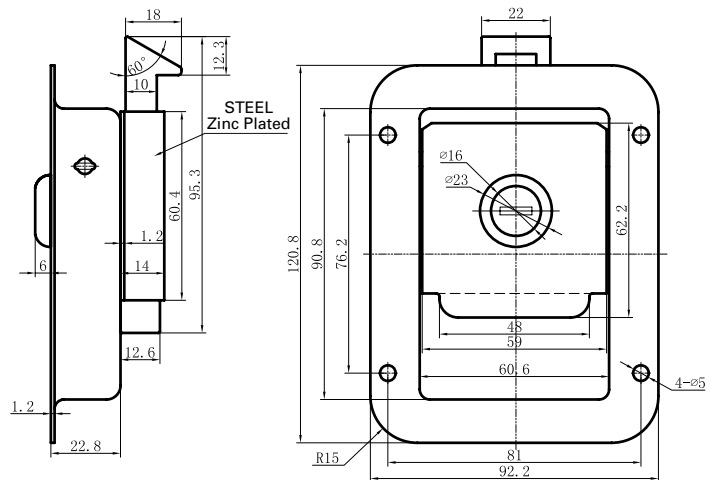
4.75" x 3.63"  
Stainless steel  
4 mounting holes  
30° bolt



Prod. #	Key #
696-0198	Non-locking
695-0048	# 700

Supplied with mounting gasket

\* Replacement cylinder also available with key 501 - Prod. #: 673-1487



REV. 04/2018

## Paddle handles

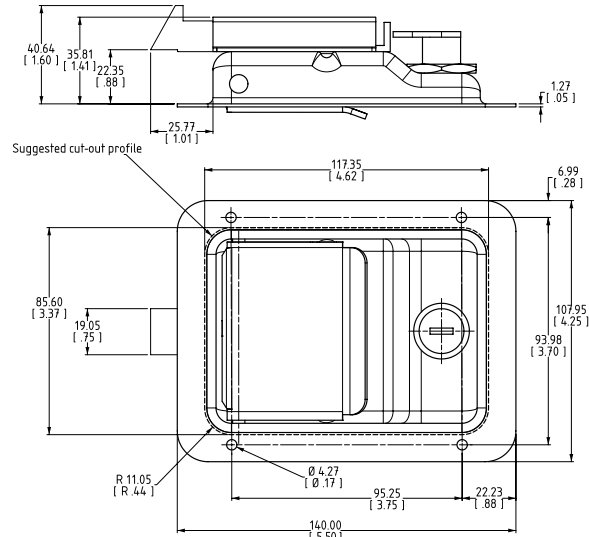
5.50" x 4.25"  
30° bolt

Stainless steel with four 11/64" mounting holes. (ill.)

Prod. #	Key #	Replacement cylinder #
695-8199	Non-locking	none
695-8128	CH 501	695-3017
695-0658	CH 502	695-3024
695-0665	CH 503	695-3031
695-0672	CH 504	695-3049
695-0697	CH 505	695-3056
695-0707	CH 506	695-3063
695-0714	CH 507	695-3070
695-0721	CH 508	695-3088
695-0739	CH 509	695-3095
695-0746	CH 510	695-3105

Zinc plated, without holes

Prod. #	Key #	Replacement cylinder #
695-8181	Non-locking	none
695-8110	CH 501	695-3017
695-0753	CH 502	695-3024
695-0760	CH 503	695-3031
695-0778	CH 504	695-3049
695-0785	CH 505	695-3056
695-0792	CH 506	695-3063
695-0802	CH 507	695-3070
695-0827	CH 508	695-3088
695-0834	CH 509	695-3095
695-0841	CH 510	695-3105



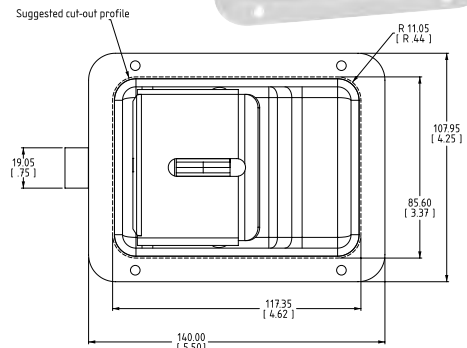
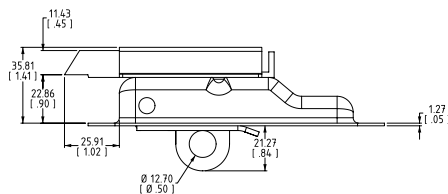
### Mounting gaskets

Prod. #	Description
695-5776	Flexible nitrite
695-7438	Rigid plastic

## Paddle handles with eye for padlock

5.50" x 4.25"  
45° bolt

Prod. #	Description
695-1965	Zinc plated, no mounting holes
695-1940	Stainless steel with four 11/64" mounting holes.
695-5776	Flexible nitrite mounting gasket
695-7438	Rigid plastic mounting gasket



REV. 01/2011

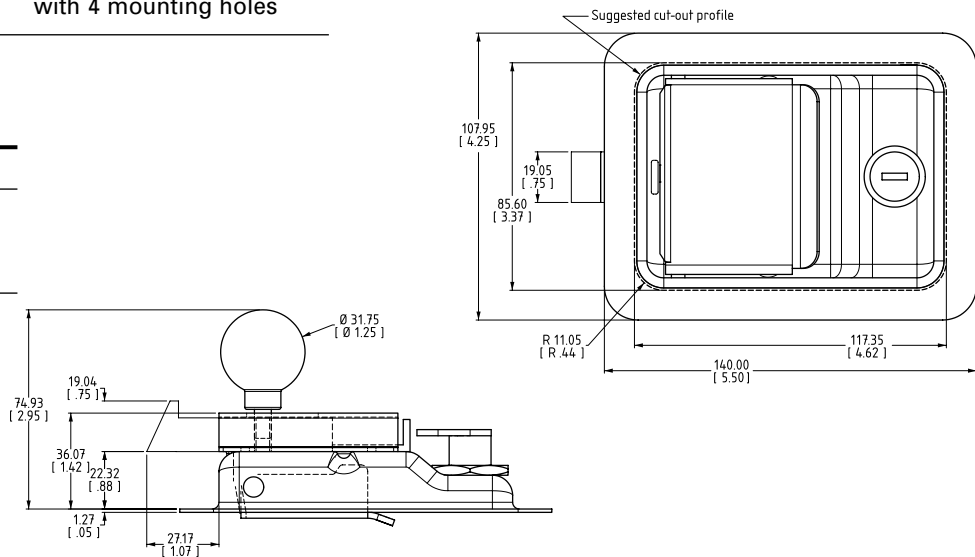
**Paddle handles with inside knob**

Locking  
5.50" x 4.25"  
30° bolt

Prod. #	Key #	Description
695-1154	assorted keys	Zinc plated
695-5617	CH 501	Stainless steel with 4 mounting holes

**Replacement cylinders:**

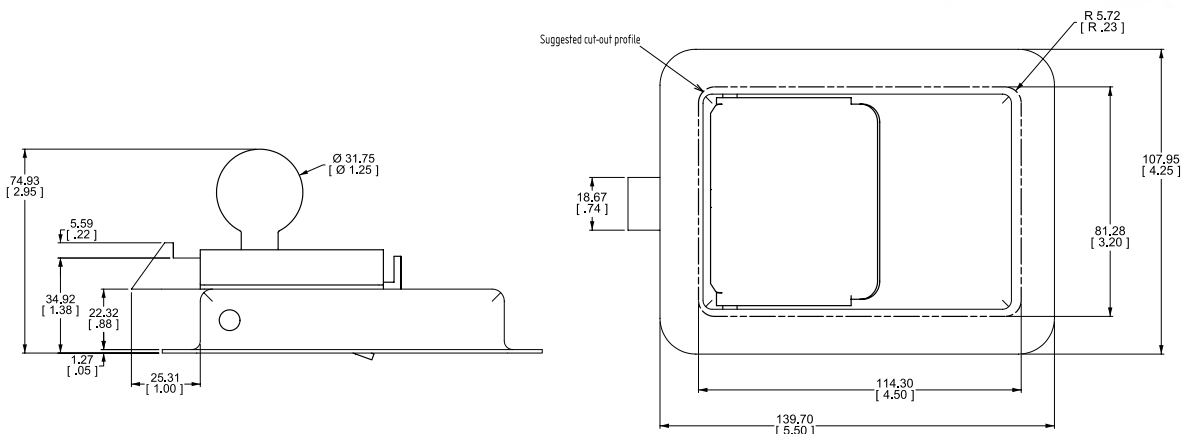
Prod. #	Key #
695-3017	CH 501
695-3024	CH 502
695-3049	CH 505



**Paddle handle with inside knob**

Prod. #: **696-1138**

Non-locking  
5.50" x 4.25"  
Zinc plated  
30° bolt  
Flat bottom pan



REV. 11/2015



## Rotary paddle handles

Prod. #: **695-7928** Complete kit, LH

Prod. #: **695-7981** Complete kit, RH

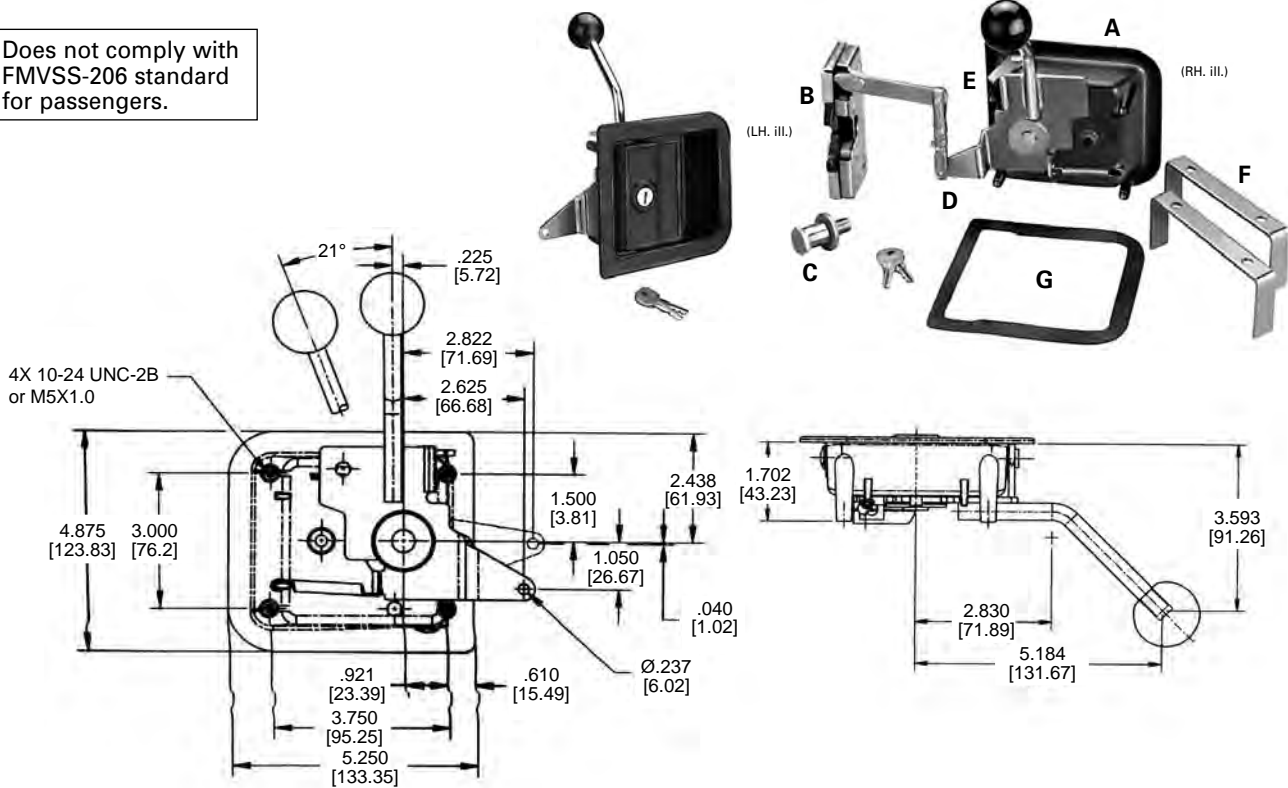
With inside release lever  
Lock with inside handle and double rotary latch  
Paddle and case made of zinc die cast alloy with mounting studs for 10/24 UNC bolts.  
5.25" x 4.875"  
Black powder finish

Does not comply with FMVSS-206 standard for passengers.

### Replacement parts:

Left Hand	Right Hand	Description
<b>695-4081</b>	A :	<b>695-5705</b> Lock with inside release
<b>690-1805 *</b>	B :	<b>690-1812 *</b> Double rotary latch
<b>699-5546</b>	C :	<b>699-5546</b> Striker bolt
<b>695-4109</b>	D :	<b>695-4109</b> Spring pin (2)
<b>695-4099</b>	E :	<b>695-4099</b> Connecting rod
<b>696-1226</b>	F :	<b>696-1226</b> Mounting bracket (2)
<b>696-0007</b>	G :	<b>696-0007</b> Gasket

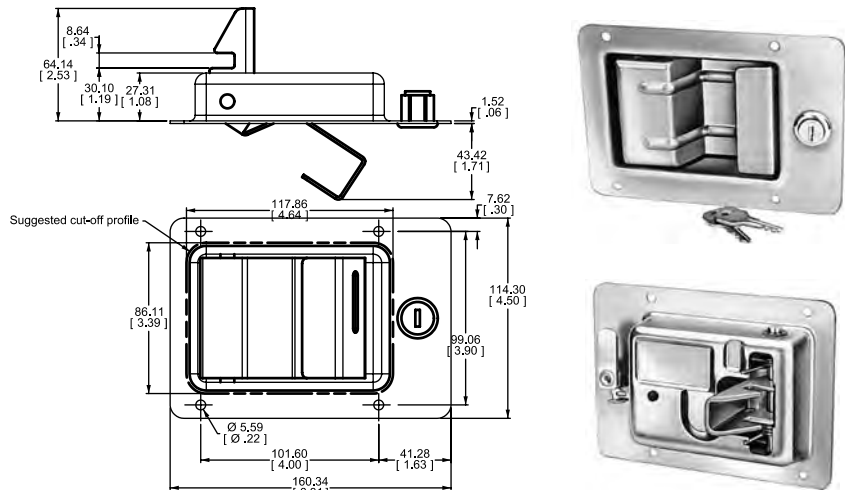
\* With threaded inserts for mounting.



## Paddle handle

Prod. #: **695-4116**

Zinc plated dichromate yellow for better resistance to rust.  
6.31" x 4.50"



REV. 01/2011

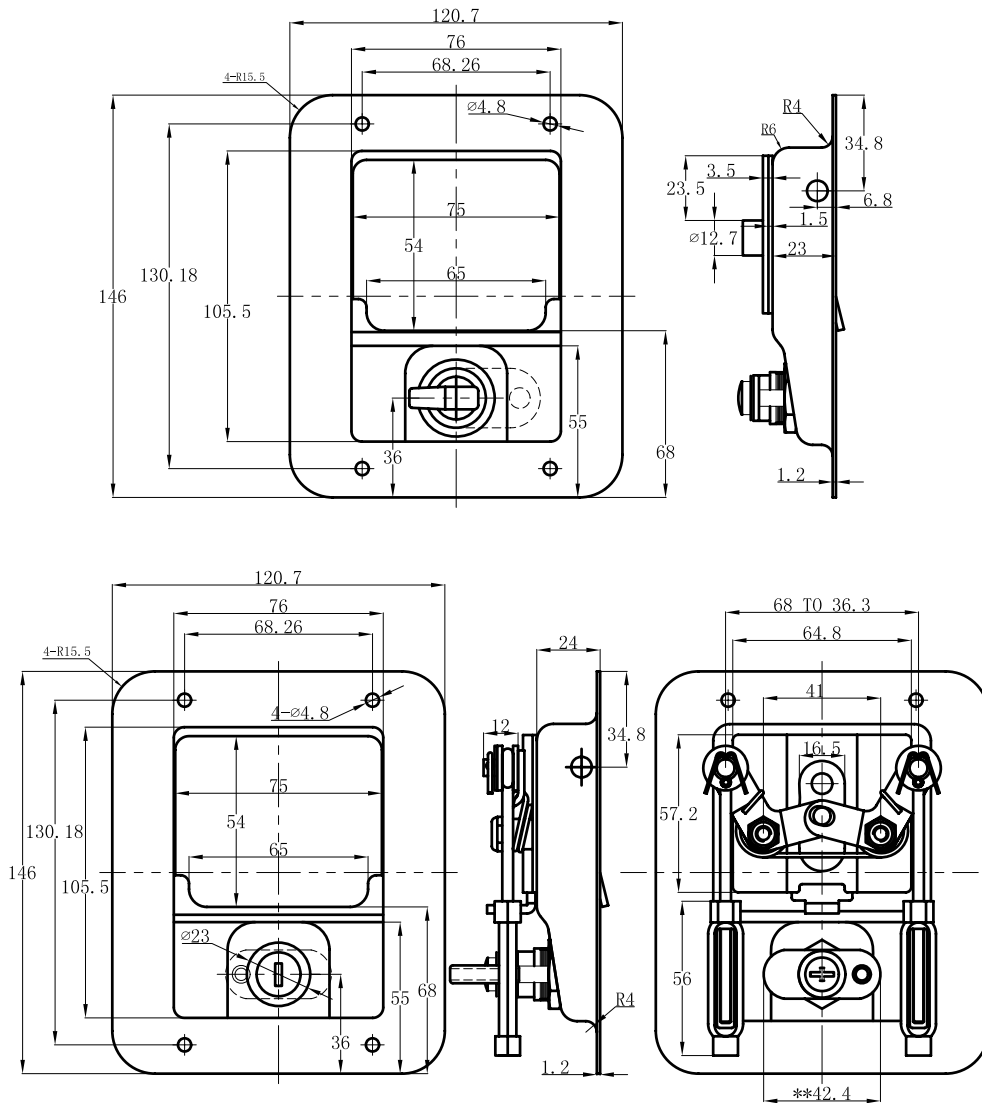


**Back-to-back paddle handle lock**

5.75" x 4.75"

Prod. #	Key #	Finish
695-2158	CH 501	Stainless steel
695-2535	CH 501	Replacement cylinder

Supplied with connecting rods with turn buckles on the end for easy adjustment of cables.  
2.625" min. spacing required between door panels.  
Otherwise spacers are required.



Measurements are metric.

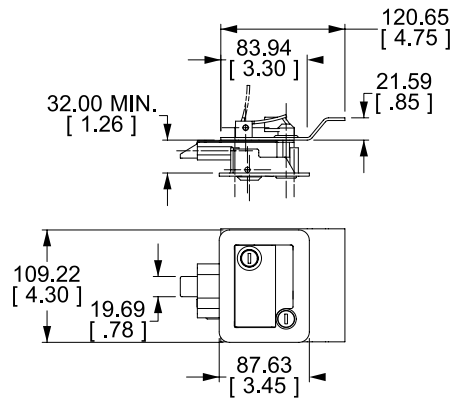
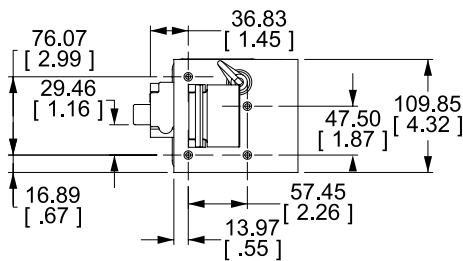
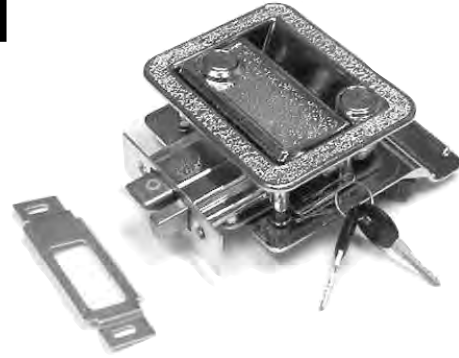
REV. 01/2011

## Travel trailer paddle handle latch

Prod. #: **695-6811**

4.30" x 3.45"

Travel trailer latch with dead bolt.



## Stainless steel paddle handles, cable latch

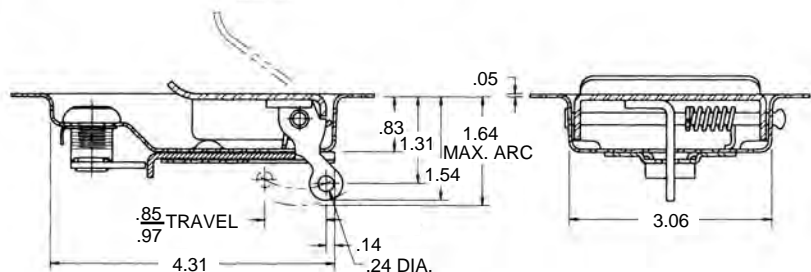
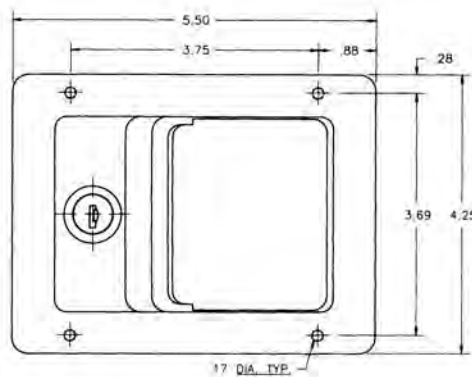
Prod. #: **695-2091** Non-locking

Prod. #: **695-2077** Key locking, assorted keys

5.50" x 4.25"  
Stainless steel

Replacement cylinder: 695-3017 (CH 501)

Must not be used for passenger compartments unless combined with rotary lock.



REV. 01/2011

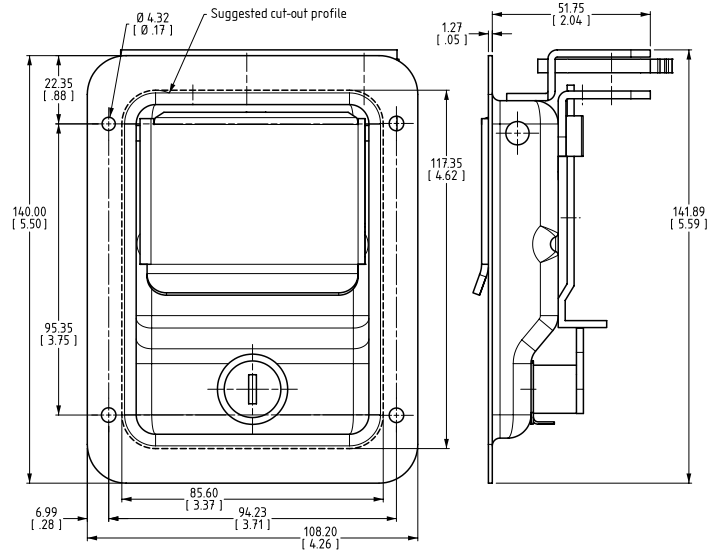
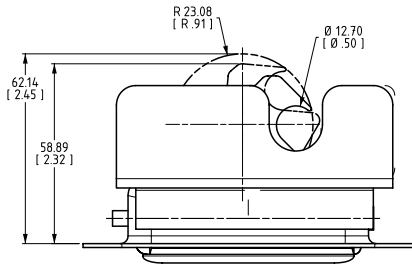
## Rotary paddle latch

5.50" x 4.26" Stainless steel

Prod. #	Description
695-1997	Key locking stainless steel. With four 11/64" mounting holes. Assorted keys.
695-8696	Striker bolt

Replacement cylinder: 695-3017 (CH 501)

Does not comply with FMVSS-206 standard for passengers.

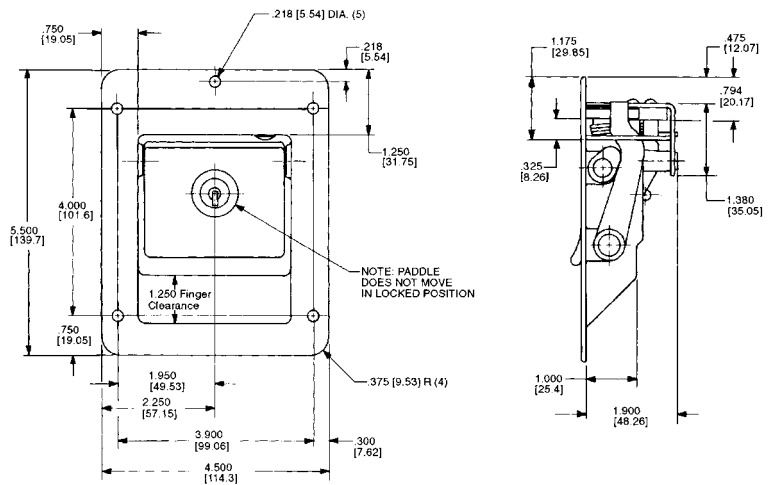
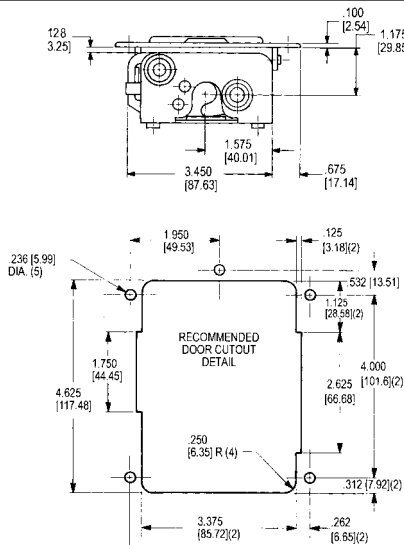
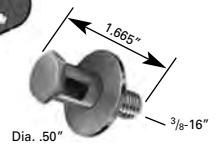


## Rotary paddle latch

5.50" x 4.50"

Prod. #	Description
695-7420	Key locking chrome plated zinc die cast. With five 7/32" mounting holes.
695-7607	Striker bolt (yellow chromate)

Does not comply with FMVSS-206 standard for passengers.



REV. 04/2013

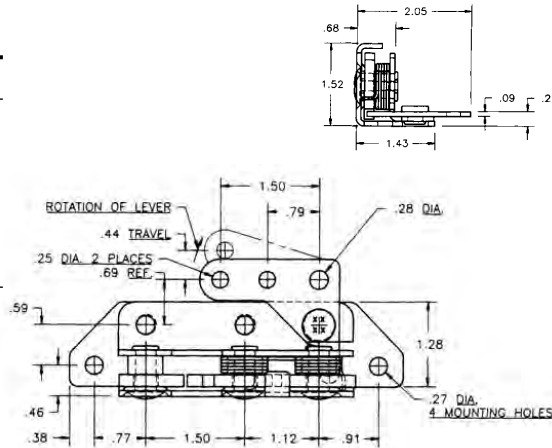
## Rotary latches with 3-point actuator

Four 17/64" mounting holes

Prod. #	Description
699-5017	LH, zinc plated (ill.)
699-5024	RH, zinc plated

**Striker bolt**  
695-8696 Yellow zinc chromate  
7/16"-14 UNC (sold separately)

Does not comply with FMVSS-206 standard for passengers.



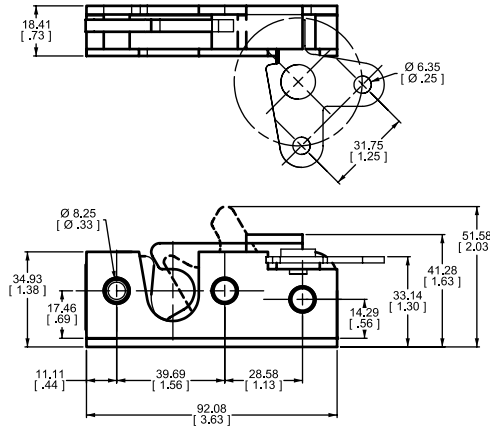
## Two-point rotary latches

Three 5/16" mounting holes

Prod. #	Description
699-6324	LH, zinc plated (ill.)
699-5190	RH, zinc plated

**Striker bolt**  
695-8696 Yellow zinc chromate  
7/16"-14 UNC (sold separately)

Complies with the FMVSS-206 standard when used with stop bolt # 695-8696



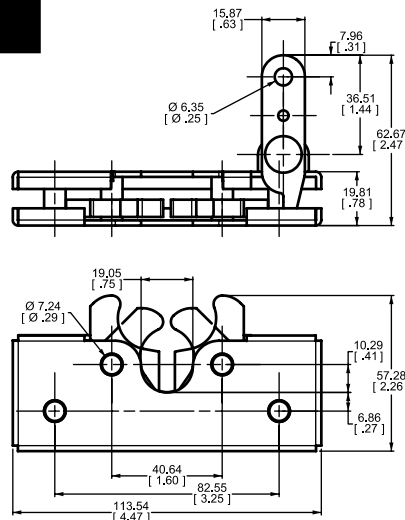
## Single rotary latches

Four 1/4" mounting holes

Prod. #	Description
690-1837	LH, yellow zinc chromate
690-1844	RH, yellow zinc chromate (ill.)

**Striker bolt**  
699-5546 Yellow zinc chromate  
7/16"-14 UNC (sold separately)

Complies with the FMVSS-206 standard when used with striker bolt # 699-5546

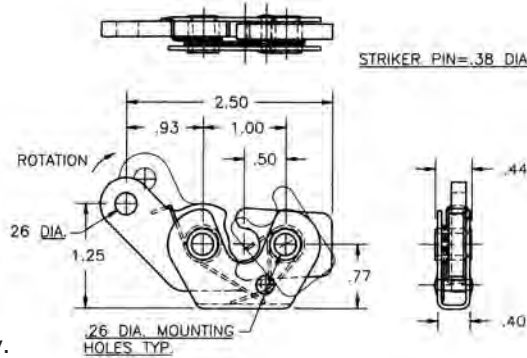


REV. 04/2012

## Low profile compact rotary latch

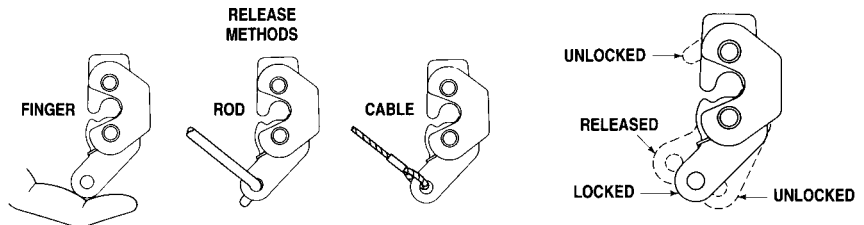
Uses  $\frac{3}{8}$ " bolt or round rod as striker.  
Universal mounting.  
Can be actuated with a finger, cable or rod.  
Maximum load 100 lbs.

Prod. #	Description
690-1770	Zinc plated
<b>Striker bolt</b> 690-1932	Zinc plated (sold separately)



\* Some parts may be lead time items.  
Consult our sales department for availability.

Does not comply with FMVSS-206 standard for passengers.



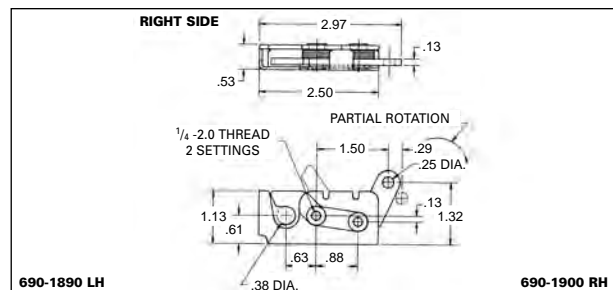
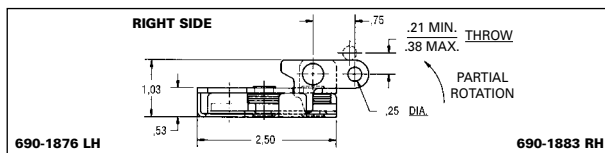
## Mini 2-stage rotary latches

Double-action lock in the most confined spaces.  
Maximum load is 750 lbs.

Prod. #	Description
690-1876	LH, zinc plated
690-1883	RH, zinc plated
690-1890	LH, zinc plated
690-1900	RH, zinc plated
<b>Striker bolt</b> 690-1932	U, zinc plated



\* Some parts may be lead time items.  
Consult our sales department for availability.



Does not comply with FMVSS-206 standard for passengers.

REV. 04/2013

## Compartment slam latches

For passenger compartments.

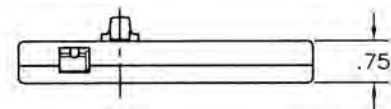
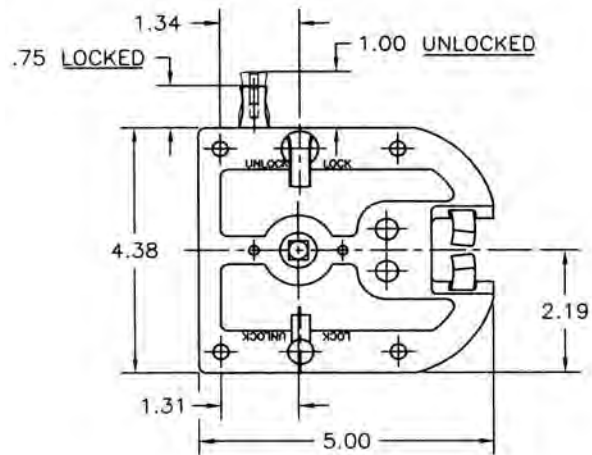
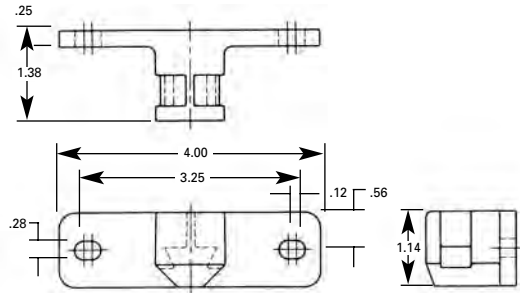
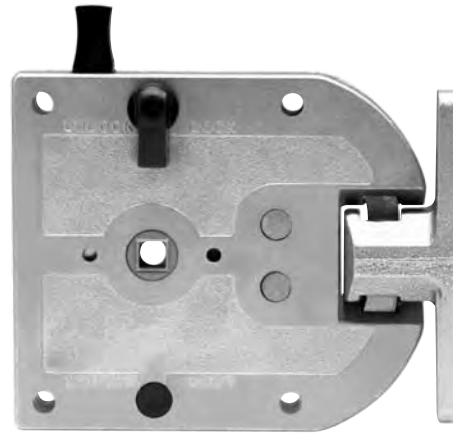
Can be actuated using a handle with a  $\frac{5}{16}$ " square shank or a remote handle using rods or cables.

Inside locking knobs

Prod. #	Description
690-5006	LH, lock and striker
690-5013	RH, lock and striker (ill.)

\* Some parts may be lead time items.  
Consult our sales department for availability.

Complies with FMVSS-206 standard for passenger compartments.



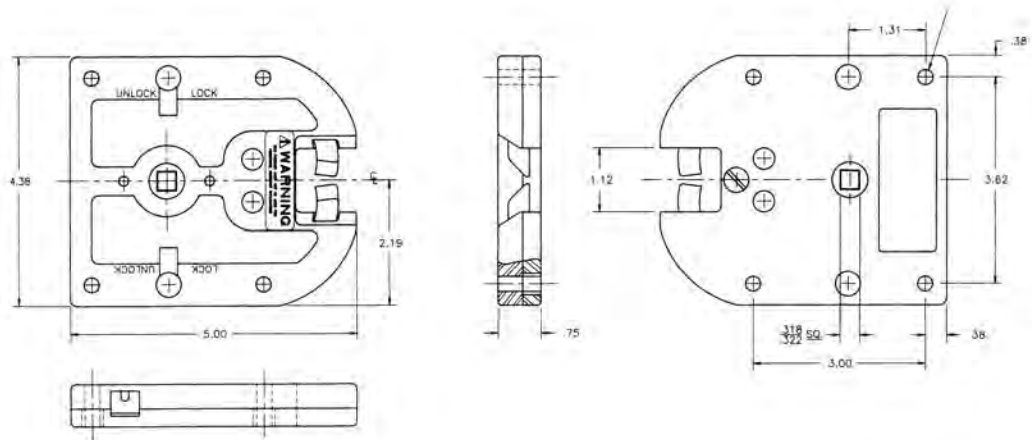
REV. 06/2012



Compartment slam latch

Prod. #	Description
690-5077	Neutral, non-locking Lock and striker

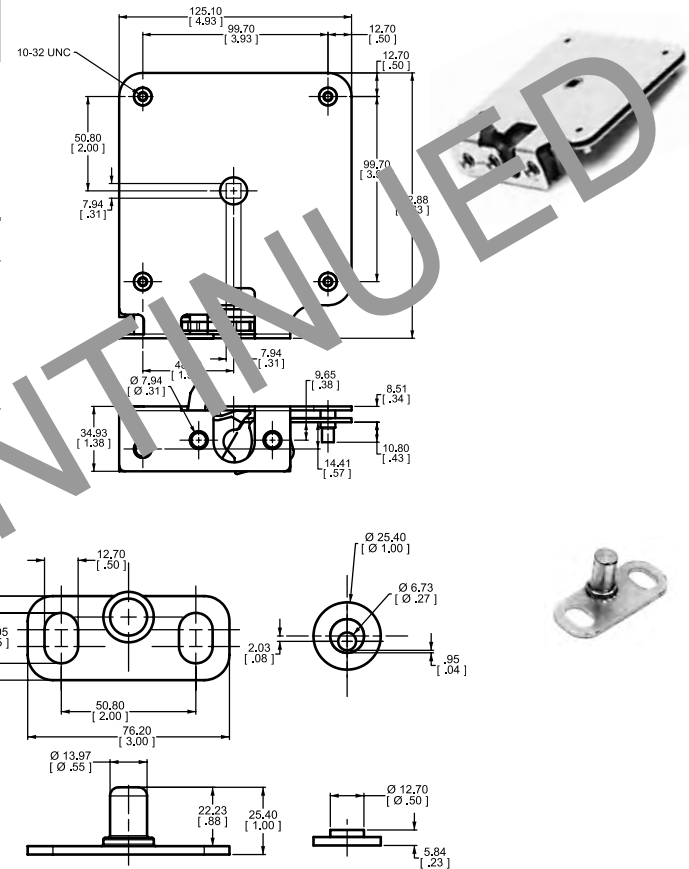
Does not comply with FMVSS-206 standard.



Compartment slam latch

The mounting hole pattern is same as that of round recessed handles 673-0282 (page A14) for sandwich installation on the compartment doors of fire trucks, ambulances, industrial cabinet doors, etc....

Prod. #	Description
690-2005	LH, zinc plated (LH only model available; install upside down for handle rotation in the opposite direction on RH doors.)
690-2037	Zinc plated striker bolt



Does not comply with FMVSS-206 standard

REV. 01/2014

## Cab locks

Zinc plated

Prod. #

### Models without inside locking device

692-1430 LH (ill.)

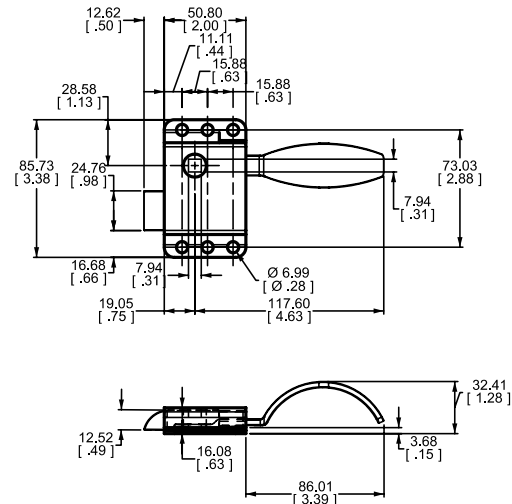
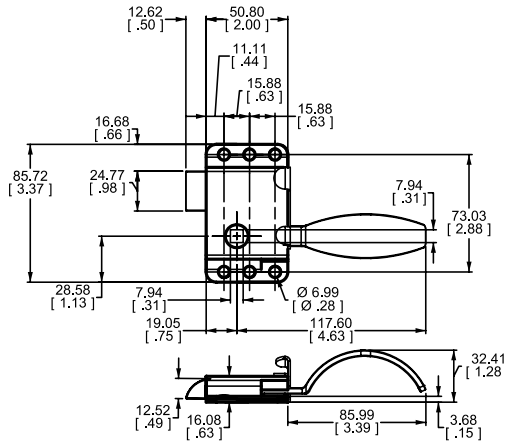
692-1390 RH

### Models with inside locking device

692-1139 LH \*

692-1262 RH

\* Some parts may be lead time items.  
Consult our sales department for availability.



## Large cab locks

Zinc plated

Prod. #

### Models without inside locking device

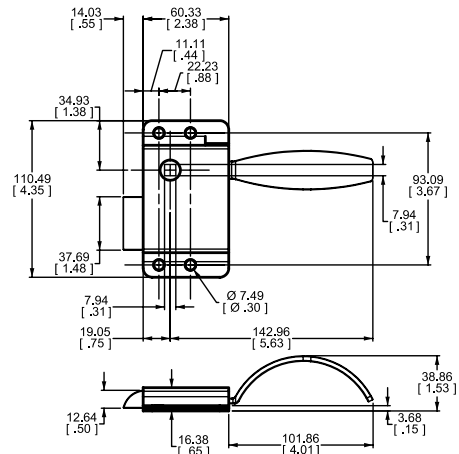
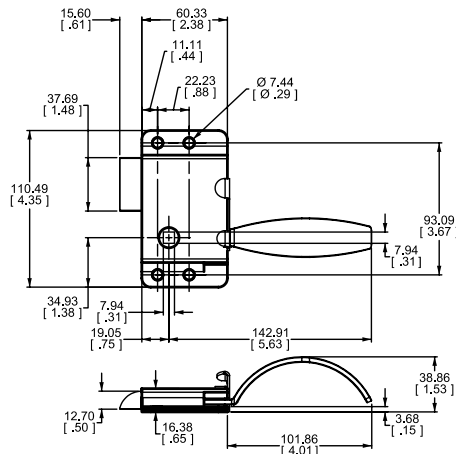
692-2240 LH

692-2263 RH

### Models with inside locking device

692-3138 LH (ill.)

692-3177 RH



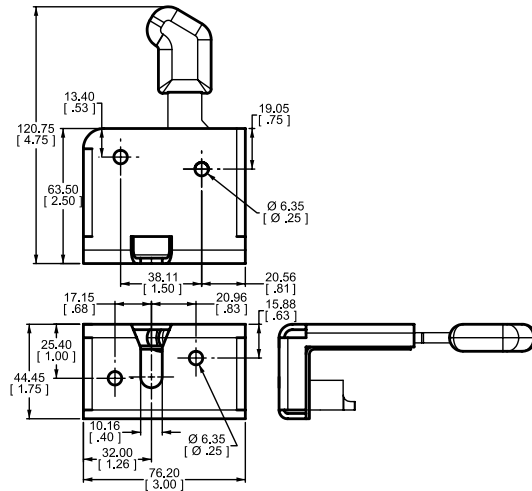
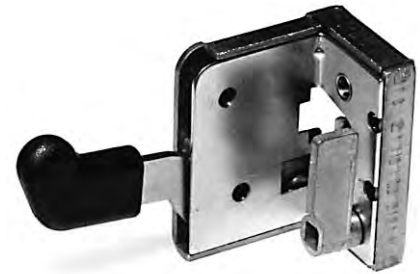
**Warning:** The above locks must not be used for passenger compartments.

## Cab locks

Prod. #: **692-0075** LH  
Prod. #: **692-0082** RH (ill.)

Zinc plated  
Models with inside handle

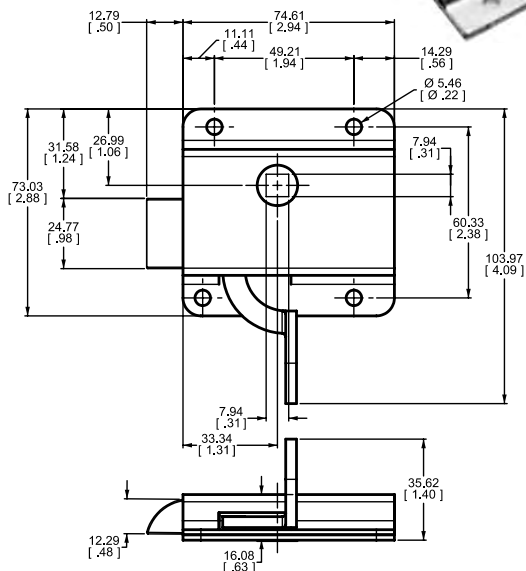
Uses push button handle #672-4874 on page A08  
Striker bolt included



## Cab locks

Prod. #: **692-2210** LH  
Prod. #: **692-2225** RH (ill.)

Zinc plated  
Models with inside handle

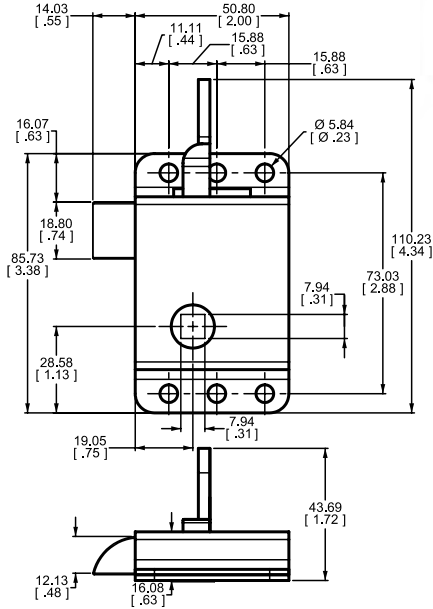


**Warning:** The above locks must not be used for passenger compartments.

## Cab locks

Prod. #: **692-1215** LH (ill.)  
 Prod. #: **692-1325** RH

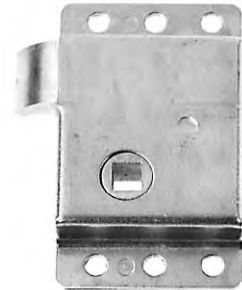
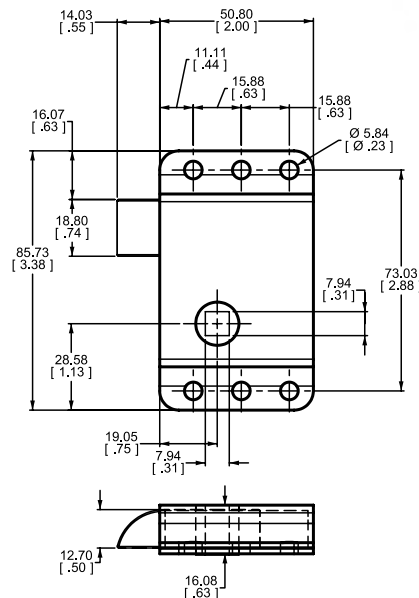
Zinc plated  
 Models with inside handle



## Cab locks

Prod. #: **692-2019** LH (ill.)  
 Prod. #: **692-2070** RH

Zinc plated  
 Models without inside handle



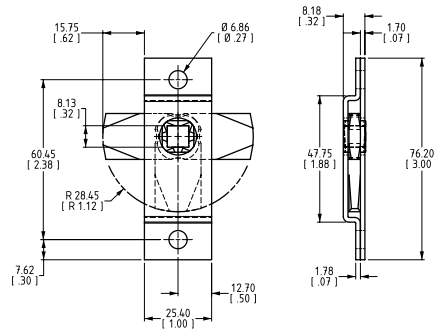
**Warning:** The above locks must not be used for passenger compartments.

REV. 01/2011

### Compartment lock

Prod. #: **694-1011**

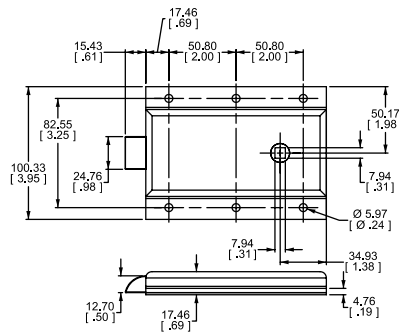
Zinc plated, 180° rotation.



### Heavy duty slam action lock

Prod. #: **692-1132**

Zinc plated

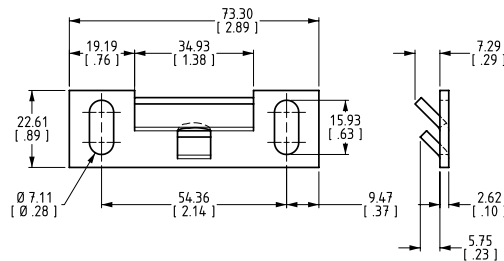


### Striker plate

Prod. #: **699-1157**

Zinc plated

Made of stamped steel with oblong holes for adjustment.

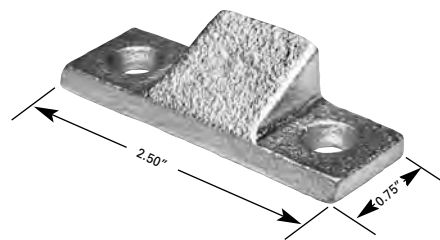


### Striker plate

Prod. #: **694-5055**

Zinc plated

\* Some parts may be lead time items.  
Consult our sales department for availability.



REV. 06/2012

## Sliding door lock with handle

Zinc plated

Distance between hooks: 5 1/2"

Prod. #	Case thickness	Body Size	Hole for square rod
705-5143	3/4"	2 1/2" x 5 5/16"	5/16"

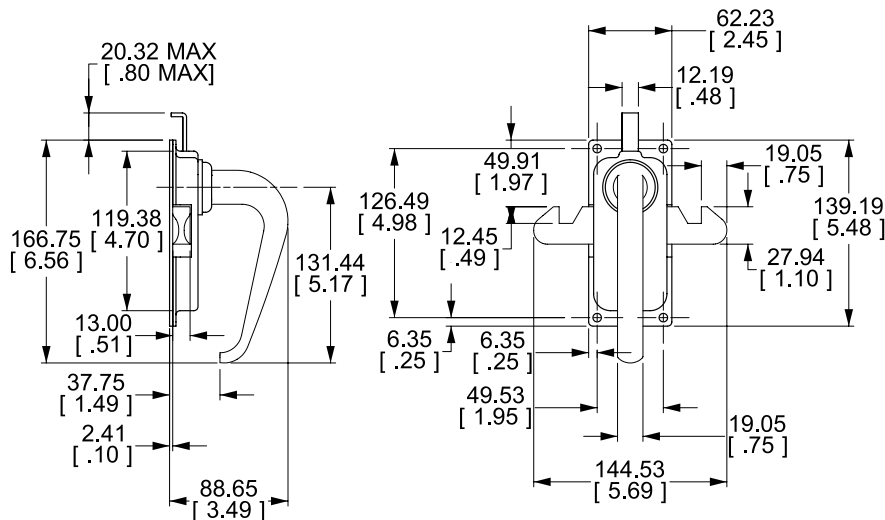


## Sliding door lock with handle

Zinc plated

Distance between hooks: 5 45/64"

Prod. #	Case thickness	Body size	Hole for square rod
705-0000	7/8"	2 7/16" x 5 1/2"	3/8"



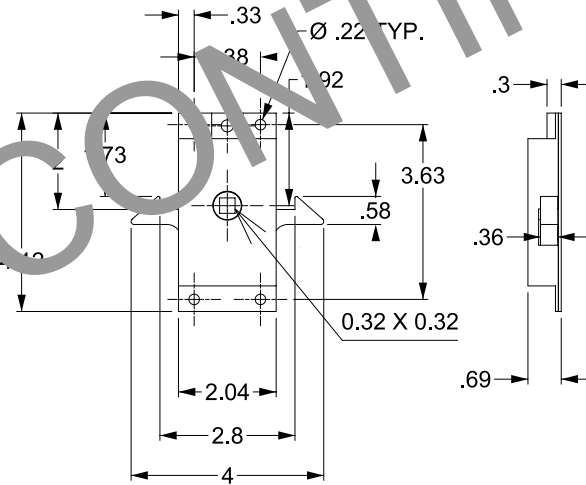
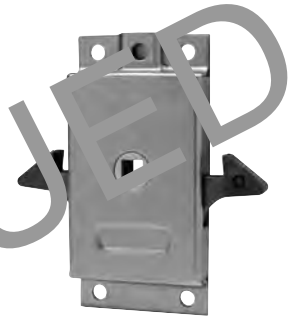
REV. 05/2011



Sliding door locks

Plain steel  
Distance between hooks: 3 3/4"

Prod. #	Case thickness	Body size	Hole for square rod
705-5168	5/8"	2" x 4 1/8"	5/16"

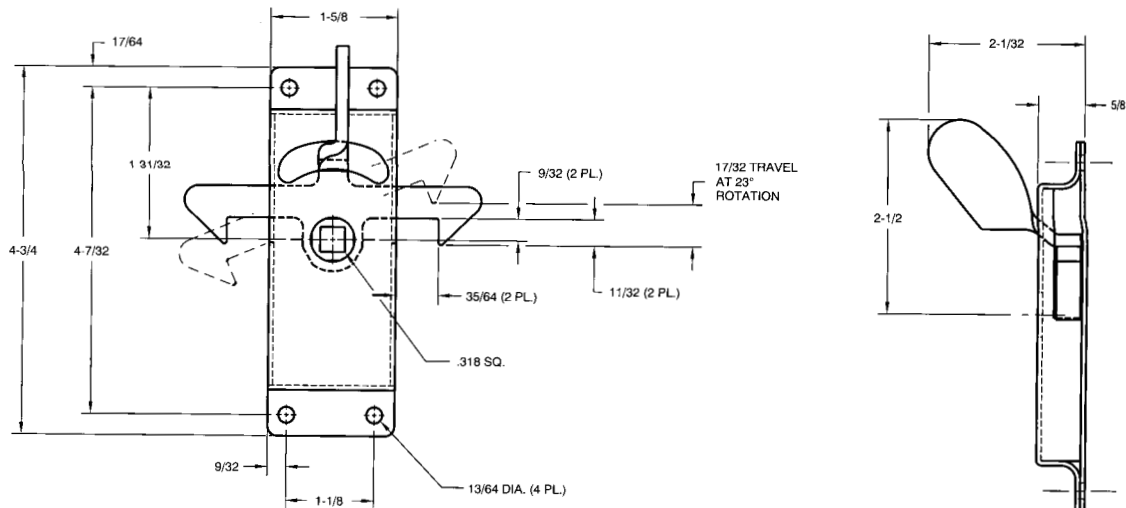


DISCONTINUED

Sliding door locks

Zinc plated  
Hooks distance: 3 3/4"

Prod. #	Case thickness	Body size	Hole for square rod	Description
705-4573	5/8"	1 5/8" x 4 3/4"	5/16"	With inside handle (ill.)
705-1011	5/8"	1 5/8" x 4 3/4"	5/16"	



REV. 08/2014

## Refrigerator door latch

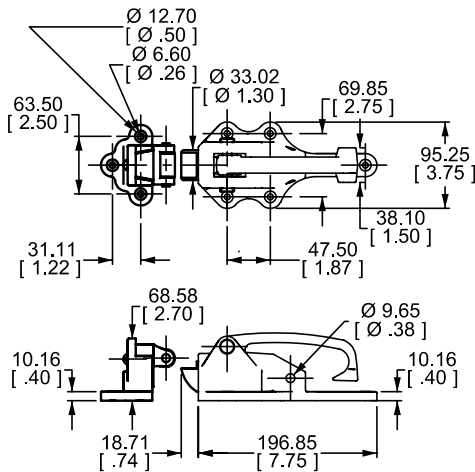
Prod. #: **709-0035**

Zinc plated  
Cast steel body, handle of malleable cast iron.

Strike adjustable:  $-\frac{1}{8}$ " to  $+\frac{5}{16}$ " (included)  
Overall installed length: 11"



For indoor use only



## Refrigerator door latch

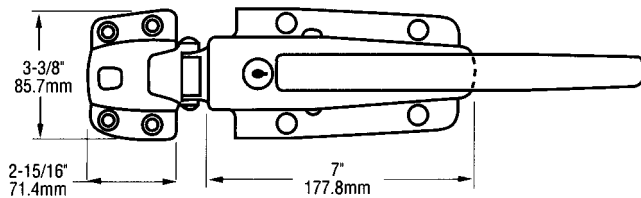
Prod. #: **709-0067** Assorted keys  
Prod. #: **709-1053** Key # 102

Locking  
Chrome polished finish.  
Body made of zinc casting and handle of forged brass.  
Striker not included  
Overall installed length:  $13 \frac{3}{16}$ "

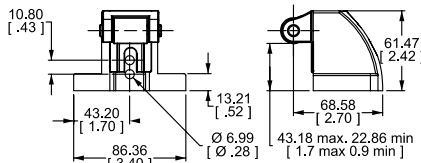
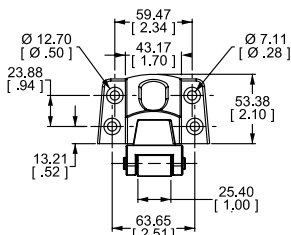


Strikers, chrome finish.

Prod. #	Adjustable strikes
709-0243	$-\frac{1}{8}$ " to $+\frac{1}{4}$ " (ill.)
709-1310	$\frac{3}{4}$ " to $1 \frac{1}{2}$ "
709-1335	$1 \frac{3}{4}$ " to $2 \frac{1}{2}$ "



For indoor use only



REV. 09/2012

Refrigerator door latch

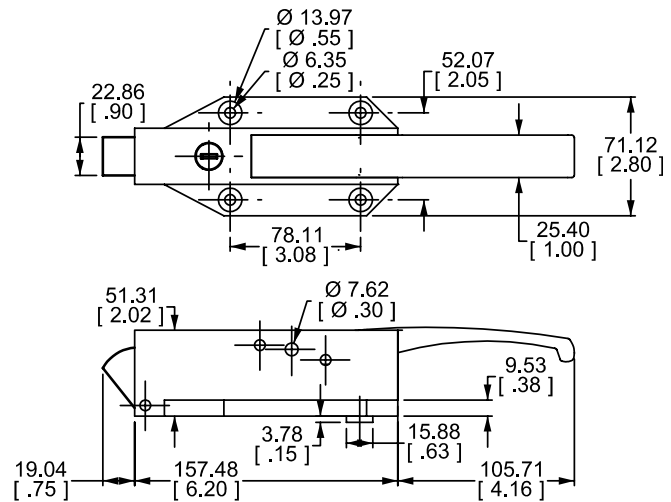
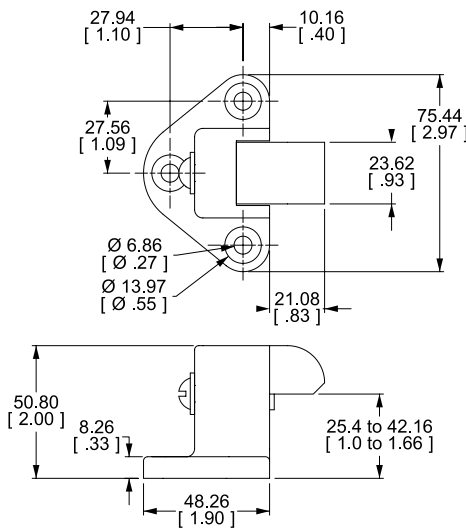
Prod. #: 709-1085

Locking  
Zinc casting with polished chrome finish.  
Striker not included.

Striker

Prod. #	Strike adjustable
709-0571	-1/8" to +1/4"

For indoor use only



Inside push handles

Handles for opening doors from inside of refrigerated compartments  
Zinc plated steel rod and plate.  
Safety Glow™ plastic handle.

Prod. #	Overall length
709-0162	9 1/2"
709-0275	10 1/2"

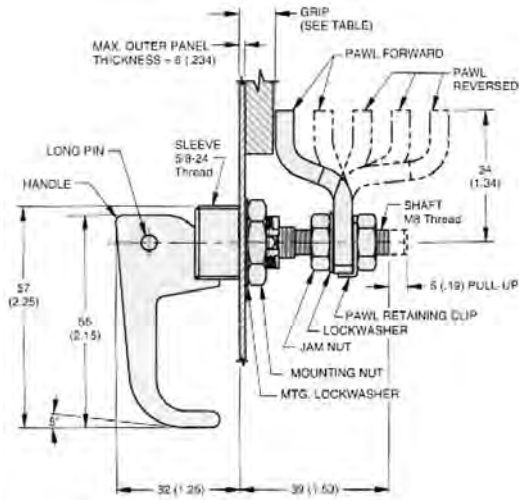
For indoor use only



REV. 05/2011

## Lift and turn compression latches

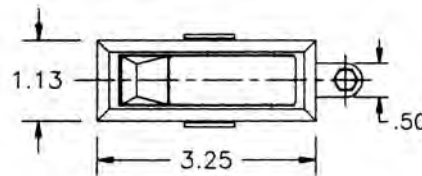
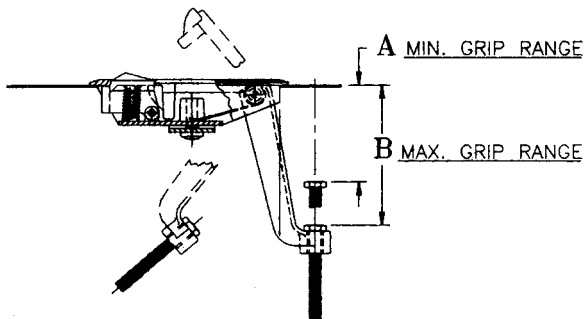
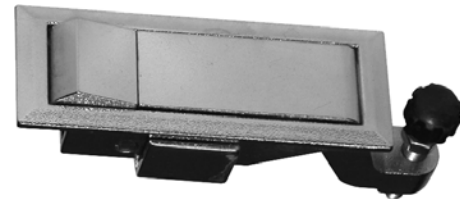
Prod. #	Finish	Cam facing	Grip range
699-7399	polished chrome	forward	2 mm/.08" - 12 mm/.47"
		reversed	32 mm/1.25" - 42 mm/1.66"
699-5634	zinc plated	forward	12 mm/.47" - 22 mm/.87"
		reversed	22 mm/.87" - 32 mm/1.25"



## Adjustable compression latches

Non-locking  
Ideal for cabinet panels

Prod. #	Grip range		Finish
	A	B	
699-7776	0.13	0.75	Textured chrome
699-7896	1.25	1.75	Textured chrome

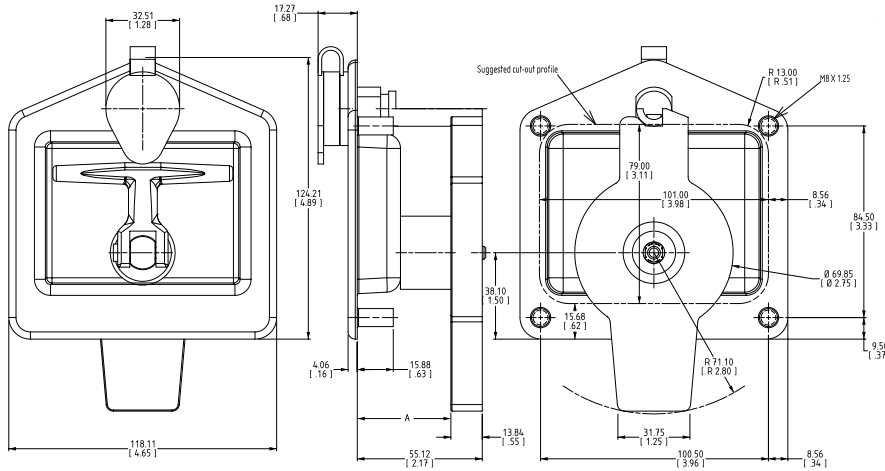


REV. 01/2014

**Polyamide recessed "T" handle lock**

4.89" x 4.65"  
Polyamide  
Locking

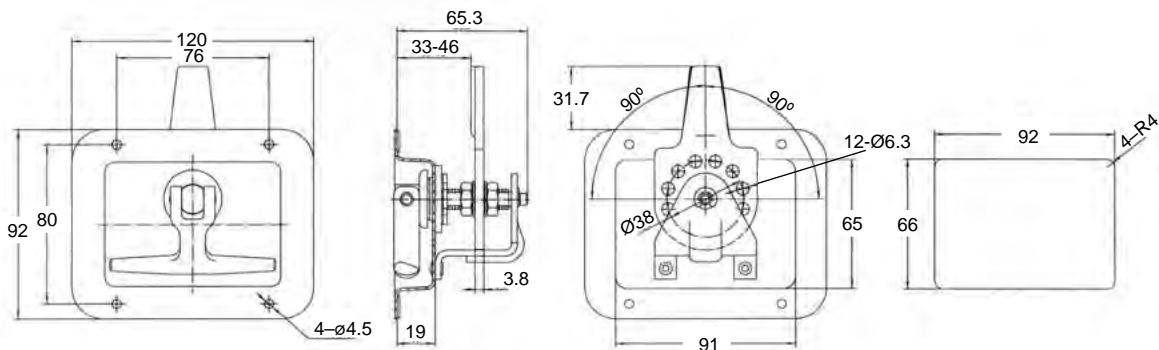
Prod. #	A
673-0349	39 mm



**Stainless steel recessed "T" handle lock**

# prod.: 698-6950

4 mounting holes  
3.75" x 4.75"  
Polished stainless steel  
Non-locking



REV. 01/2011

## Stainless steel "T" handle lock

Prod. #: 699-9999

Blind mount. Welded studs.

4.75" x 4.89"

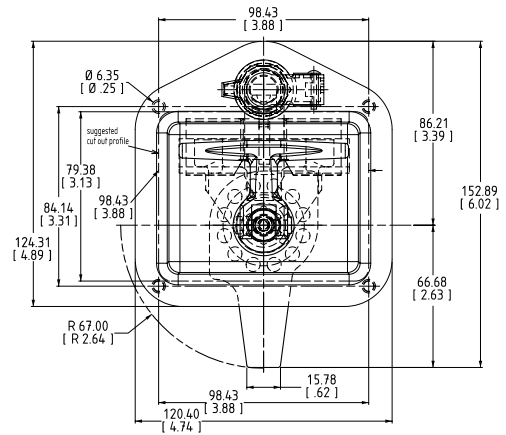
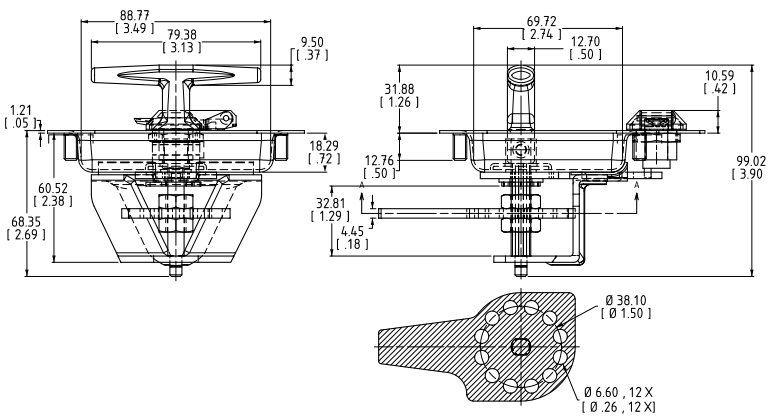
Stainless steel

Locking with dust cover

Waterproof lock

Dust cover (695-5857) and gasket (623-1420) only.

Replacement cylinder: 697-5282 (CH 501)



## Stainless steel "T" handle lock

Prod. #: 699-9981

Four mounting holes.

4.75" x 4.89"

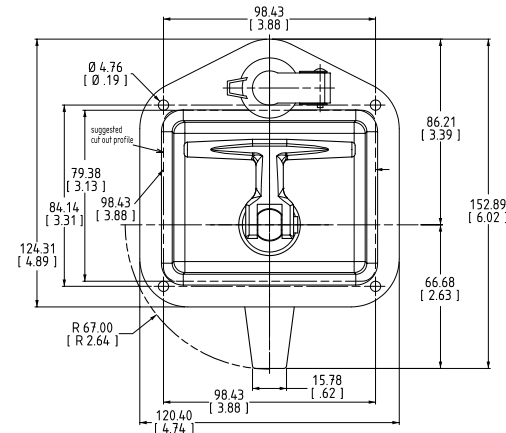
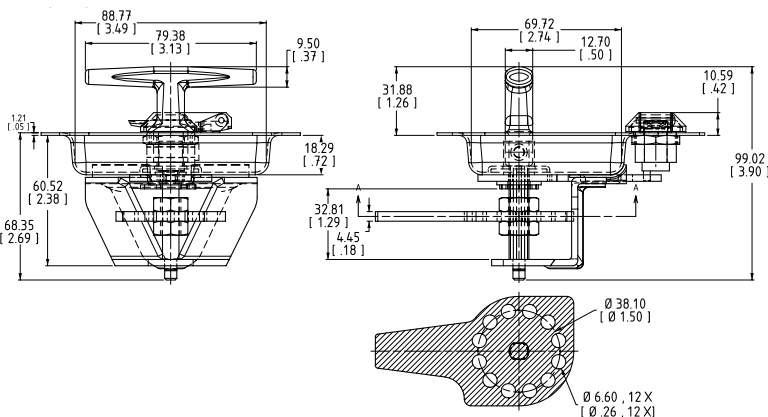
Stainless steel

Locking with dust cover

Waterproof lock

Dust cover (695-5857) and gasket (623-1420) only.

Replacement cylinder: 697-5282 (CH 501)



REV. 01/2011



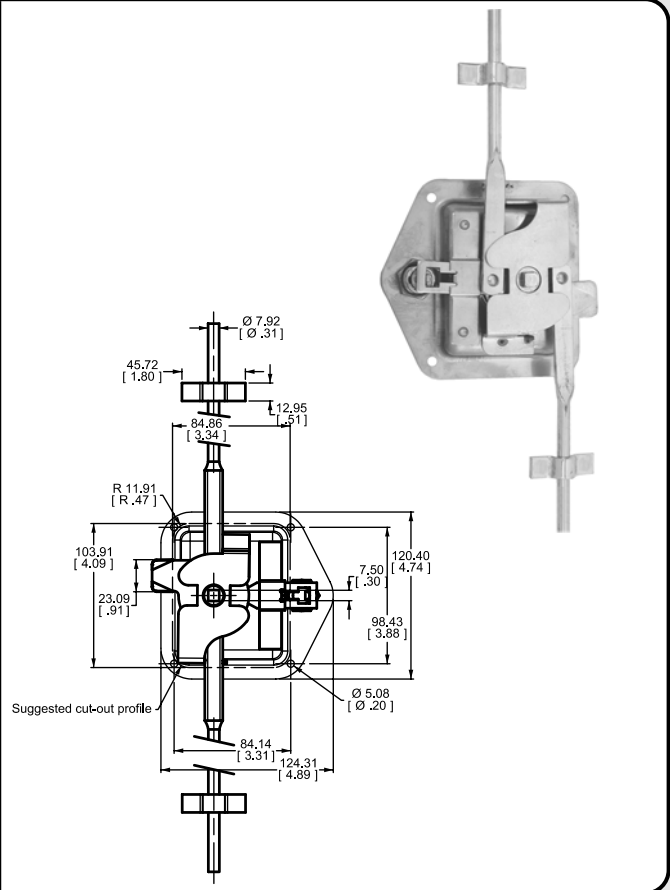
## Stainless 3-point "T" handle deadbolt locks

4.74" x 4.89" handle.

Prod. #	Description
698-6848	Non locking, stainless steel, six 1 <sup>1</sup> / <sub>64</sub> " mounting holes.
697-4242	Four 1 <sup>1</sup> / <sub>64</sub> " mounting holes (ill.) Assorted keys
697-0453	Four 1 <sup>1</sup> / <sub>64</sub> " mounting holes Key # 501

### Replacement parts:

Prod. #	Description
700-2007	Zinc plated 5 <sup>5</sup> / <sub>16</sub> " x 34" rod
700-5350	Zinc plated rod guide
697-5282	Cylinder key #501



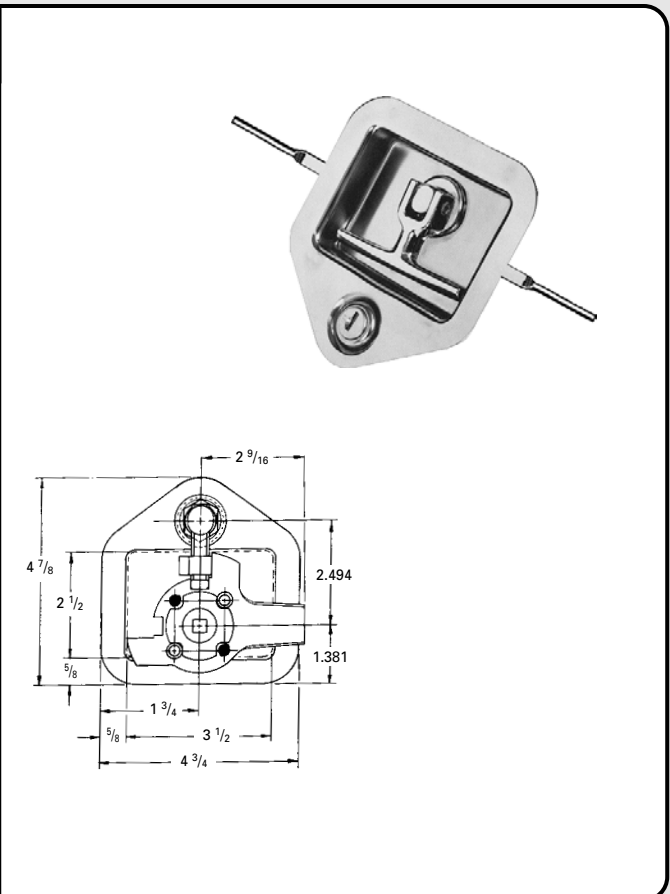
## 3-point "T" handle deadbolt locks

4.75" x 4.88" locking handle, 34" rods.  
Three point locks.

Prod. #	Rods	Description
698-3903	5 <sup>5</sup> / <sub>16</sub> "	Stainless steel, six 1 <sup>1</sup> / <sub>64</sub> " mounting holes.
698-1399	3 <sup>3</sup> / <sub>8</sub> "	Stainless steel, six 1 <sup>1</sup> / <sub>64</sub> " mounting holes.

### Replacement parts:

Prod. #	Description
698-3999	Stainless steel centre case, 5 <sup>5</sup> / <sub>16</sub> "
700-2007	Zinc plated 5 <sup>5</sup> / <sub>16</sub> " x 34" rod
700-5181	Zinc plated 5 <sup>5</sup> / <sub>16</sub> " x 48" rod
700-2060	Zinc plated 3 <sup>3</sup> / <sub>8</sub> " x 36" rod
700-2818	Zinc plated 3 <sup>3</sup> / <sub>8</sub> " x 48" rod
700-1719	Zinc plated rod guide
673-3780	Cylinder key # 504



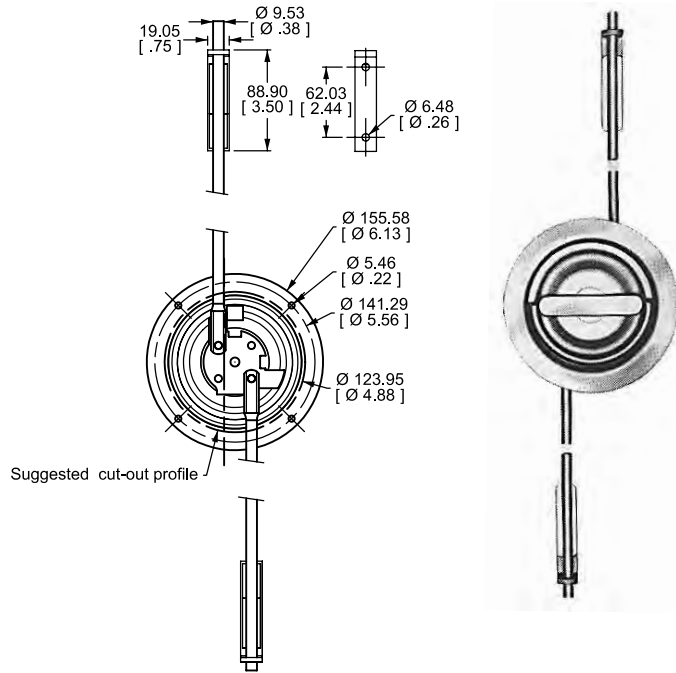
## Stainless 2-point D-ring deadbolt lock

Non-locking  
Polished stainless steel

Prod. #	Dimensions
698-1416	6 1/8"

**Replacement parts:**

Prod. #	Description
698-5354	6 1/8" stainless steel handle
700-1719	Zinc plated rod guide
700-2060	Zinc plated 3/8" x 36" rod



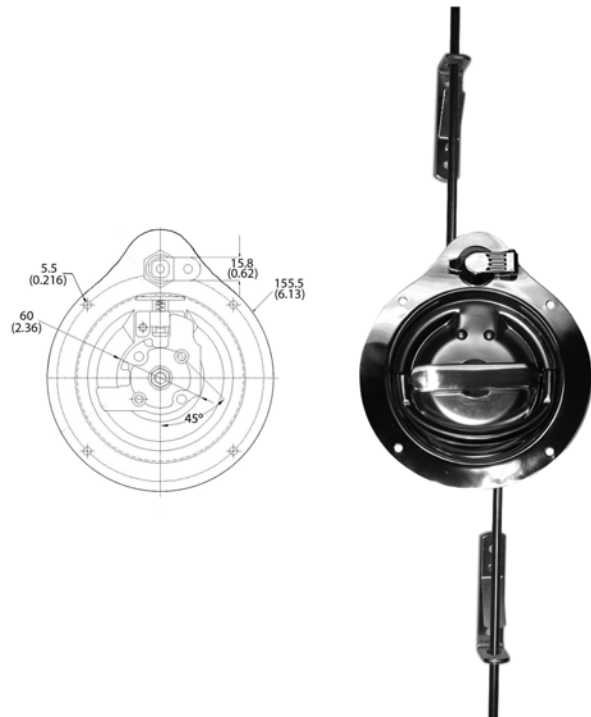
## Stainless 2-point D-ring deadbolt lock

Locking  
Polished stainless steel

Prod. #	Dimensions
697-0213 (RH)	7 1/16"

**Replacement parts:**

Prod. #	Description
697-0220	(RH) stainless steel handle
700-1719	Zinc plated rod guide
700-2060	Zinc plated 3/8" x 36" rod
697-0206	Replacement cylinder (key 501)



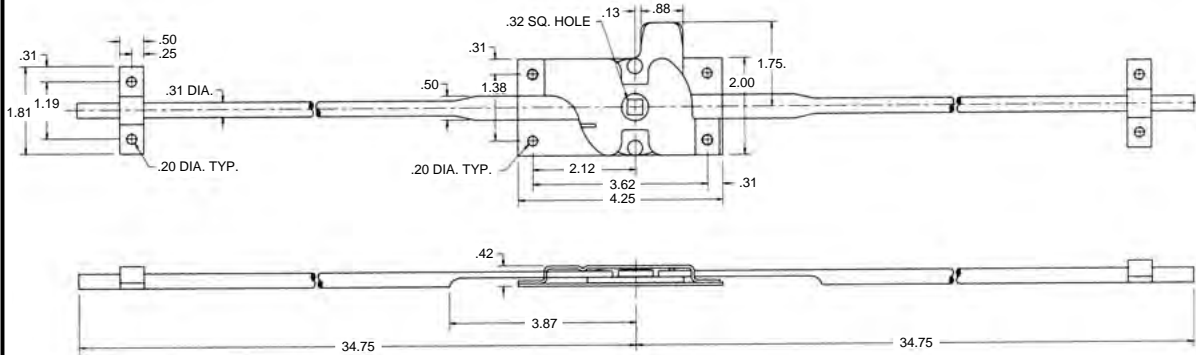
REV. 04/2012

### 3-point deadbolt lock

Prod. #	Description
700-5142	(LH) Zinc plated

**Replacement parts:**

Prod. #	Description
700-5752	Zinc plated LH centre case
700-5093	Zinc plated guide
700-2007	Zinc plated 5/16" x 34" rod



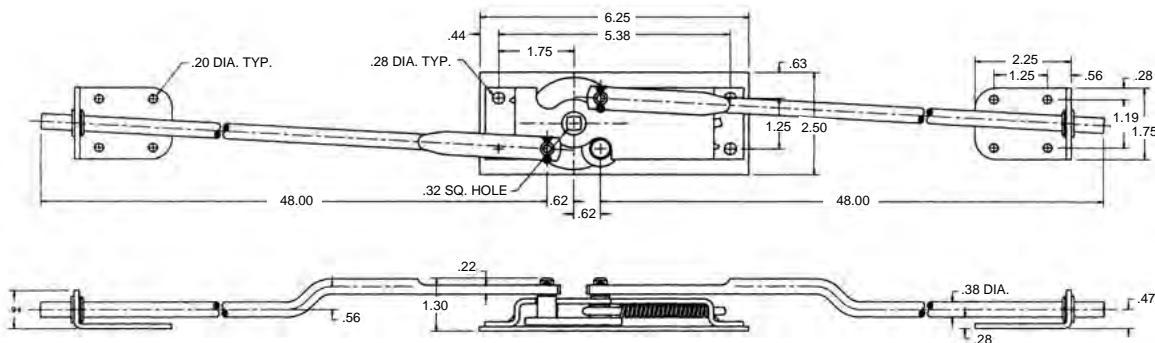
### Multi-point deadbolt locks

Prod. #	Pts	Description
700-7950	2	Zinc plated (ill.)
700-7968	3	Zinc plated

**Replacement parts:**

Prod. #	Pts	Description
700-0828	2	Zinc plated centre case
700-0722	3	Zinc plated centre case
700-7855		Zinc plated guide
700-7862		Zinc plated 3/8" x 48" rod

*The guides can be reversed for use as a strike.*



REV. 01/2011

## Heavy-duty 3-point deadbolt lock

Prod. #: **700-1645**

Includes an override safety mechanism that allows door to be opened from the inside when locked from the outside.

Zinc plated

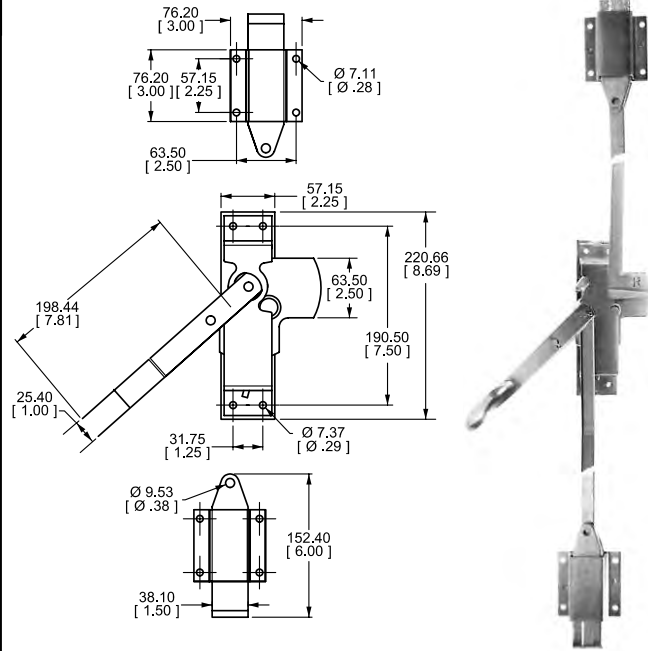
Flat rods

### Replacement parts:

Prod. #	Description
700-1941	Zinc plated centre case, handle included
700-1892	Zinc plated bolt
700-1807	Zinc plated flat 36" rod
700-1821	Zinc plated flat 48" rod

Uses a handle with 1/2" square shank.

Models **671-1089** or **672-1048** (see page A 12)



## Long 3-point deadbolt lock

Prod. #: **700-5826**

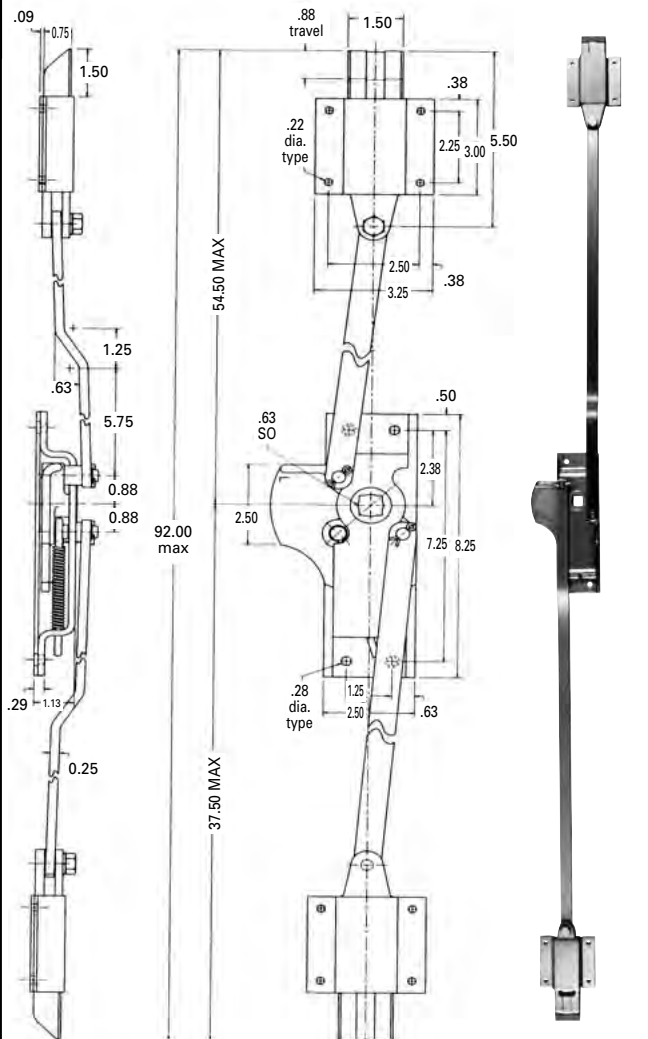
Comes with 31.5" and 48.5" rods for a maximum lock length of 92".

Zinc plated

Uses a handle with 5/8" square shank

Model **671-5012** (see page A 12)

*The centre case can be used alone to make a single point lock.*



REV. 01/2011

## Lock with nylon rollers

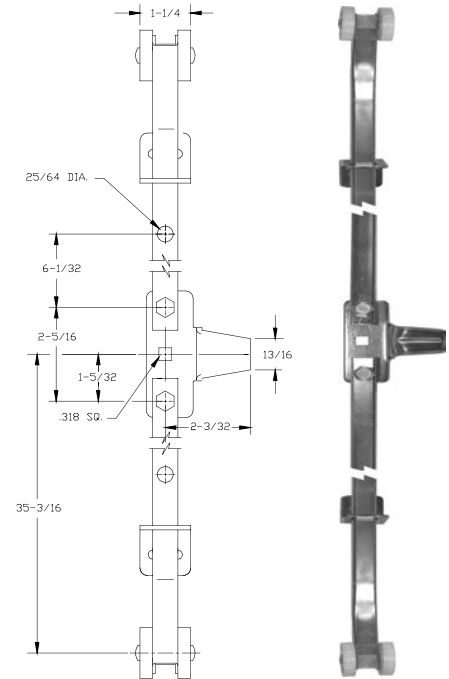
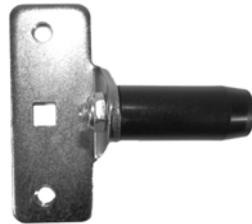
Prod. #: 691-5036

Lock with 1 1/4" diameter nylon rollers.  
Zinc steel

**Option :**

Central mechanism with adjustable nylon roller.

691-1264 Zinc steel



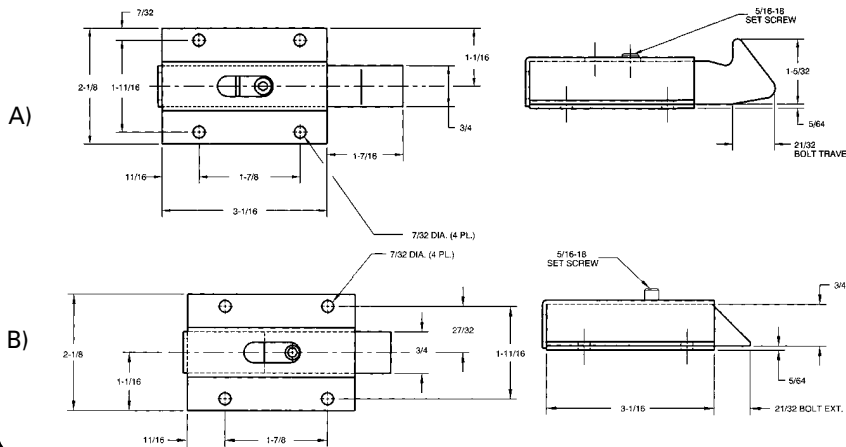
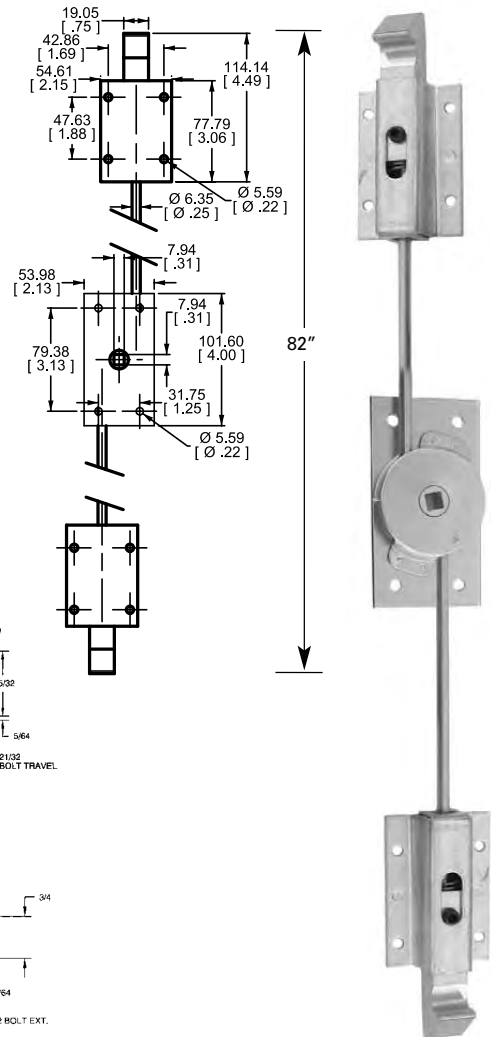
## 2-point slam locks

30° or 45°, flush or offset bolts  
1/4" round rods

Prod. #	Type	Description
700-1532	A	(RH) Zinc plated, 30° flush bolts (ill.)
700-5696	B	(RH) Zinc plated, 45° flush bolts

**Replacement parts:**

Prod. #	Type	Description
700-1148		(RH) Zinc plated centre case
700-1162		Zinc plated 1/4" x 36" rod
699-1118	A	Flush zinc plated 30° bolt
699-1012	B	Flush zinc plated 45° bolt



REV. 09/2012

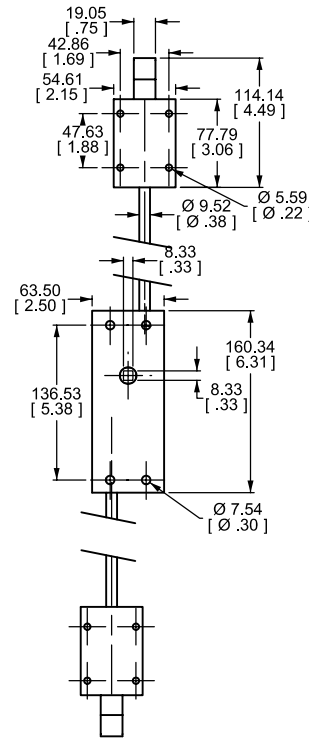
## 2-point slam lock

Prod. #: 700-1437

Zinc plated  
30° flush bolt  
3/8" round rod

### Replacement parts:

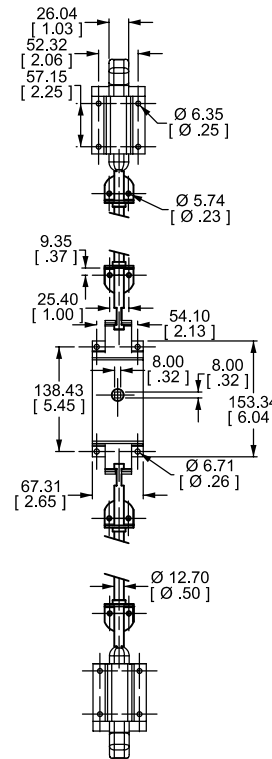
Prod. #	Description
700-1740	Zinc plated centre case
700-2021	Zinc plated round 3/8" x 36" rod
700-1902	Zinc plated 30° flush bolt



## 2-point slam lock

Prod. #: 700-0031

Zinc plated  
Tapered bolt  
1/2" round rods



REV. 06/2012



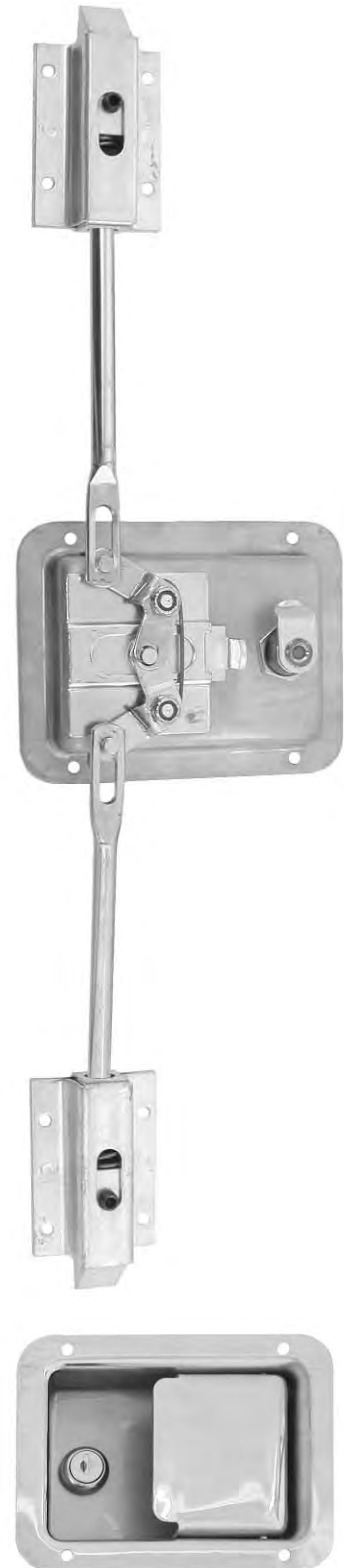
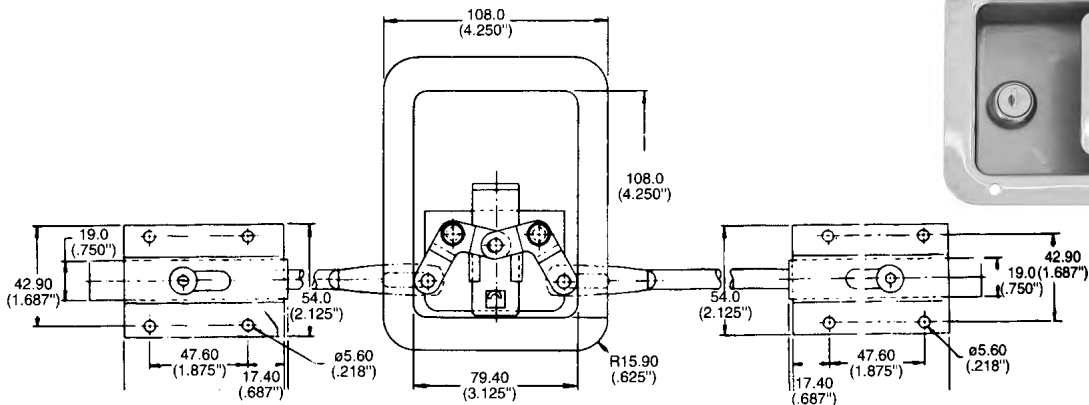
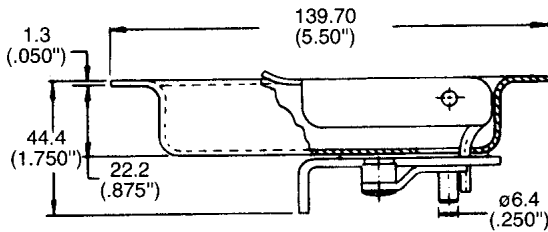
## 2-point paddle handle slam locks

5.50" x 4.25" paddle handle  
45° flush bolt  
Two point paddle handle lock with **return spring**.

Prod. #	Description
<b>Non-locking:</b>	
696-1057	Stainless steel
<b>Locking:</b>	
695-1073	Zinc plated (ill.)
695-1080	Stainless steel

### Replacement parts:

Prod. #	Description
696-1184	Zinc plated centre case, locking (ill.)
696-1219	Stainless steel centre case, non-locking
696-1201	Stainless steel centre case, locking
673-1222	Replacement cylinder key #501
691-1095	Zinc plated 45° flush bolt
700-2021	Zinc plated 3/8" x 36" rod

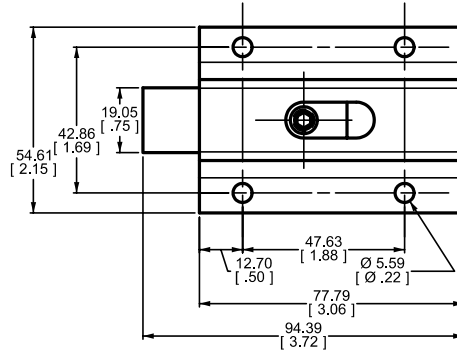
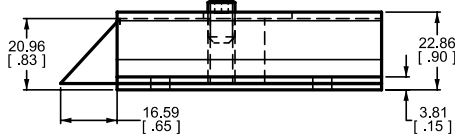


REV. 01/2014

## Slam bolts

Prod. #: **699-1012** 1/4" hole for rod  
 Prod. #: **691-1095** 3/8" hole for rod

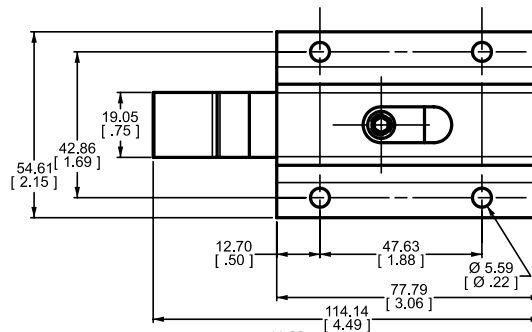
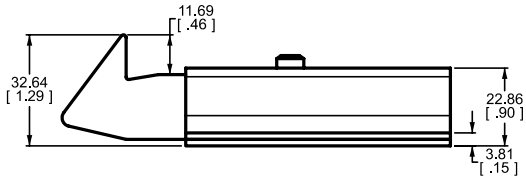
45° bolt.  
 Zinc plated, flush.



## Slam bolt

Prod. #: **699-1118**

30° bolt and 1/4" hole for rod.  
 Zinc plated, flush.



## Slam bolt hook

Prod. #: **699-2009**

1/4" hook for above bolts.  
 Zinc plated 1/4" x 4 5/8"

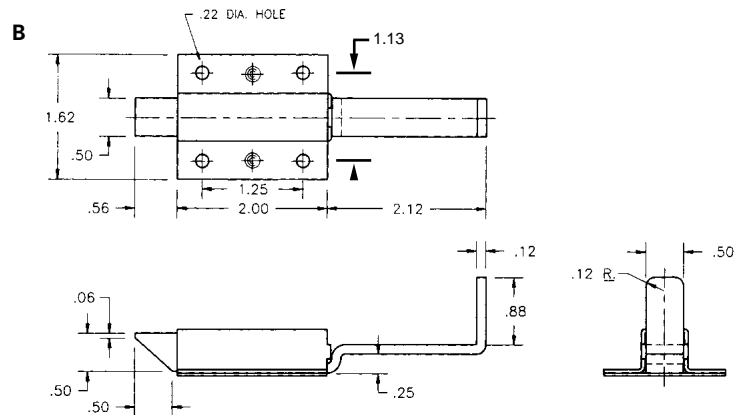
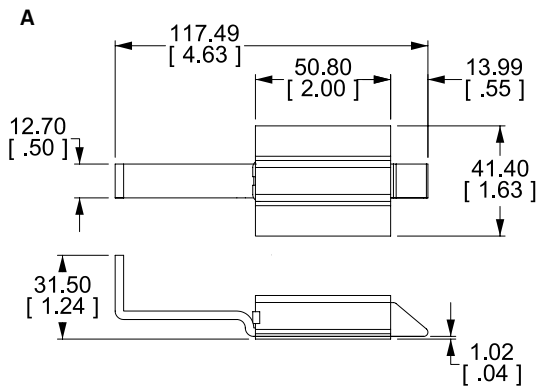


REV. 01/2011

Finger pull latches

45° flush bolt  
6 lbs. spring tension.

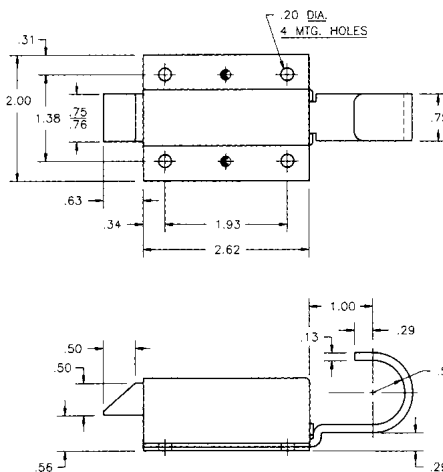
Prod. #	Mounting holes	Description
A) 699-8018	no	Zinc plated
B) 699-8025	four 7/32"	Zinc plated, reversed bolt



Finger pull latch

45° bolt  
25 lbs. spring tension  
4 mounting holes

Prod. #	Description
699-8219	Zinc plated, offset 0.56"



REV. 08/2014

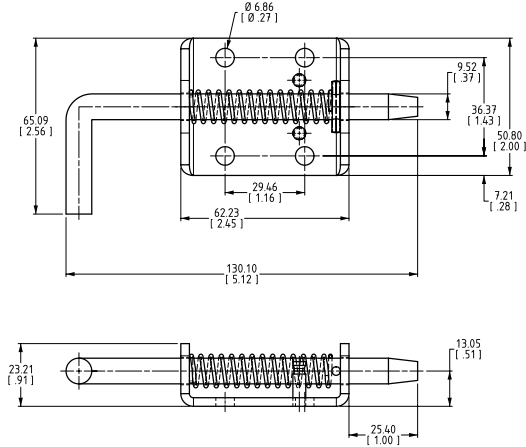
**B**

**LOCKS & LATCHES**

## Mini spring bolt

Prod. #: **699-9170** 0.50" stroke

Zinc plated

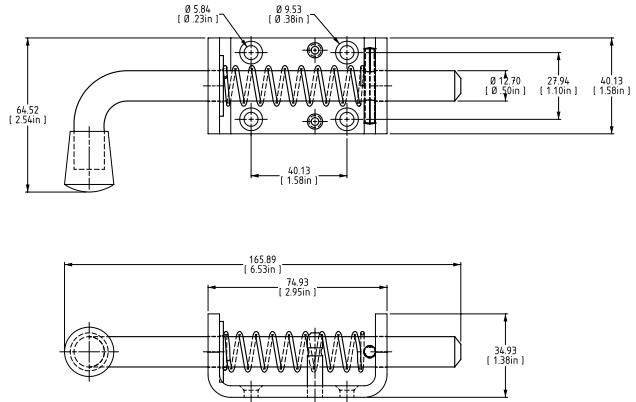


Minimum of 10

## Spring bolts

Prod. #: **699-9117** 0.88" stroke, zinc

Prod. #: **699-9156** 0.89" stroke, stainless steel

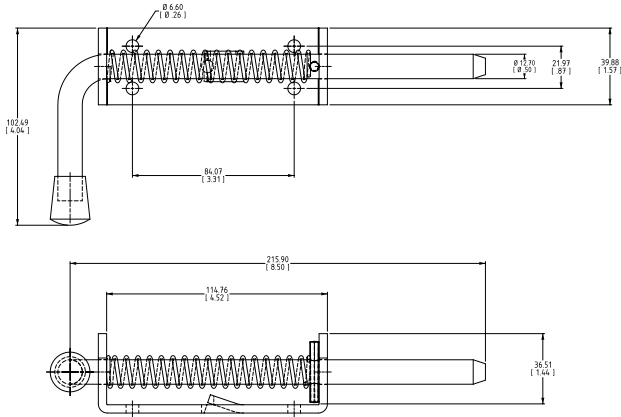


Minimum of 10

## Spring bolt

Prod. #: **699-9124** 1.99" stroke

Zinc plated

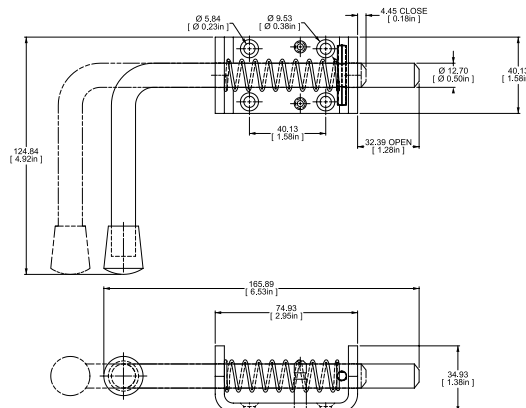


Minimum of 10

## Long handle spring bolt

Prod. #: **699-3845** 0.90" stroke

Zinc plated



Minimum of 10

REV. 04/2013

**Spring latch**

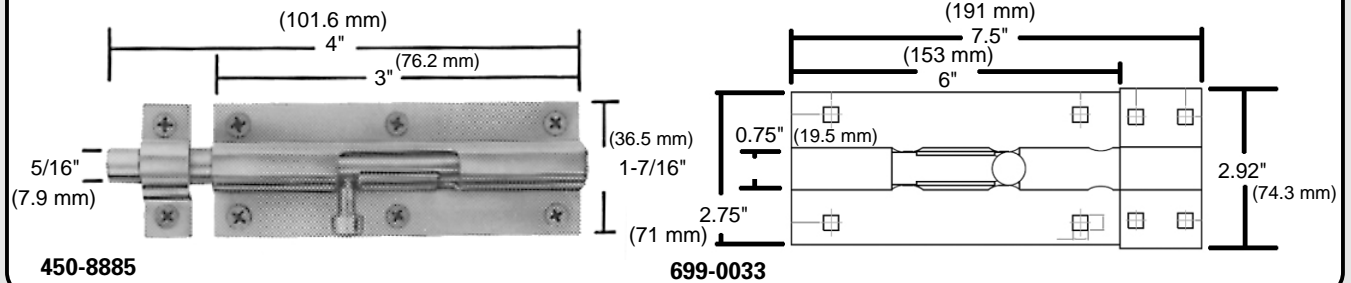
Prod. #: **774-0124** Zinc plated

Spring catch, easy to install and operate



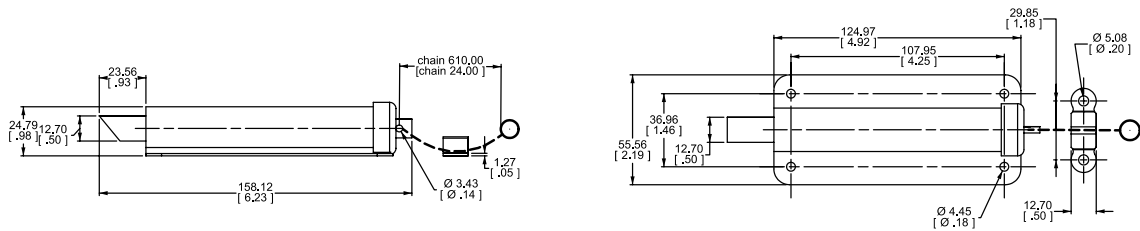
**Barrel bolts**

Zinc plated



**Chain bolt**

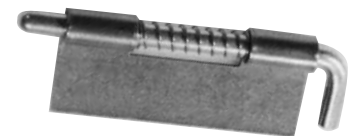
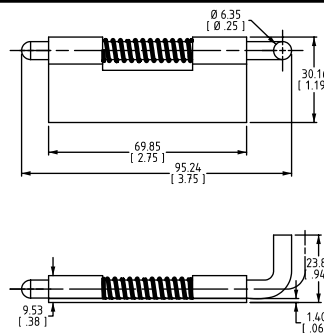
Prod. #: **699-0001** Zinc plated



**Spring-loaded bolts**

Prod. #: **699-7511** LH (ill.)  
Prod. #: **699-7529** RH

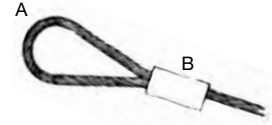
Zinc plated, no holes



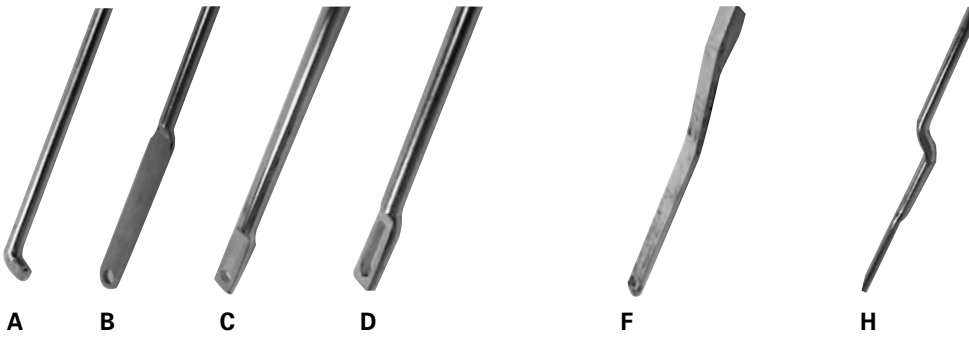
REV. 04/2018

## Prestretched steel cable

Prod. #	Description
A) 708-0407	Galvanized, prestretched $\frac{3}{32}$ " steel cable (aviation type). 100' rolls
B) 708-0397	Oval crimping sleeve for $\frac{3}{32}$ " cable



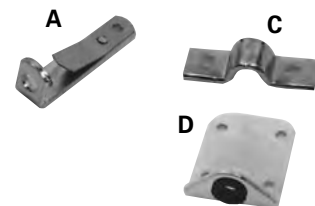
## Replacement rods



Prod. #	Rods (zinc plated)	Fits 2 & 3 pt locks on pages
A) 700-1162	$\frac{1}{4}$ " x 36" bent end	B 03, B 04, B 31
B) 700-2007	$\frac{5}{16}$ " x 34"	B 27, B 29
700-5181	$\frac{5}{16}$ " x 48" special/extra long	B 27
C) 700-2060	$\frac{3}{8}$ " x 36"	B 27, B 28
700-2818	$\frac{3}{8}$ " x 48" special/extra long	B 27
D) 700-2021	$\frac{3}{8}$ " x 36" oblong hole	B 32, B 33
F) 700-1807	$\frac{1}{2}$ " x 36" flat rod	B 30
700-1821	$\frac{1}{2}$ " x 48" flat rod	B 30
H) 700-7862	$\frac{3}{8}$ " x 48" round rod	B 29

### Rod guides

Prod. #	Description	Fits on 3 pt locks on pages
A) 700-1719	Zinc plated	B 27, B 28
C) 700-5093	Zinc plated	B 27, B 29
D) 700-7855	Zinc plated	B 29



REV. 01/2011

**Cylinders straight cam**

Used for most brands of paddle handles.

Prod. #	Key #
695-3017	501
695-3024	502
695-3031	503
695-3049	504
695-3056	505
695-3063	506
695-3070	507
695-3088	508
695-3095	509
695-3105	510



**Cylinders**

Replacement cylinder for 695-1073 and 695-1080 (page B33)\*.

Prod. #	Key #
<b>Bent and riveted cam</b>	
673-1222*	501
<b>Bent cam attached with screw</b>	
673-1180	501



**Cylinders for "T" handles**

For handles and locks with folding "T" handles.

Prod. #	Key #
697-5282	501
697-5317	502
697-5324	503
697-5331	504
697-5349	505
697-5356	506
697-5363	507
697-5370	508
697-5388	509
697-5395	510



**Cylinder with 2 1/8" sliding bar**

Replacement cylinders for 698-3903, 698-1399 and 698-3910 (page B27).

Cylinder with case for 2 1/8" long bar.

Prod. #	Key #
673-3759	501
673-3780	504



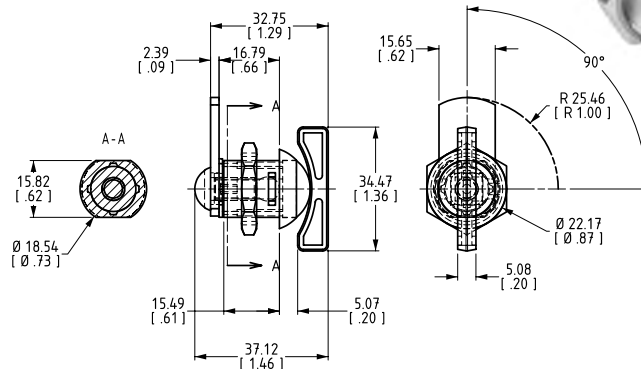
REV. 04/2012



## Wing type quarter-turn

Prod. #: **699-5923**

Straight cam.



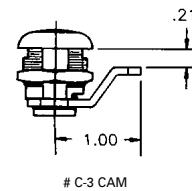
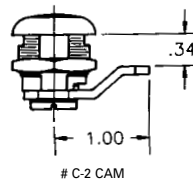
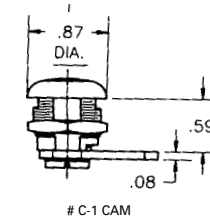
## Low profile quarter-turns

Comes with a spring-mounted ball bearing to click open or closed. 90° rotation.

Prod. #	Description
<b>699-5296</b>	# C-1 straight cam
<b>699-8995</b>	Includes C-1, C-2 and C-3 cams
<b>For 1/4" hexagonal key</b>	
<b>699-5049</b>	# C-1 straight cam
<b>With knob</b>	
<b>699-5306 **</b>	# C-1 straight cam
<b>699-5345 **</b>	Includes C-1, C-2 and C-3 cams

\* Some parts may be lead time items. Consult our sales department for availability.

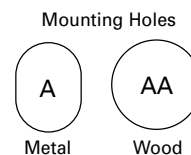
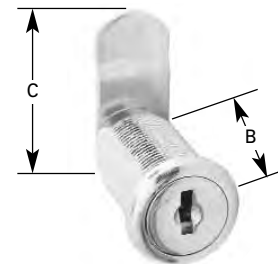
\*\* Minimum of 10



## Low profile quarter-turns

Bended cam.

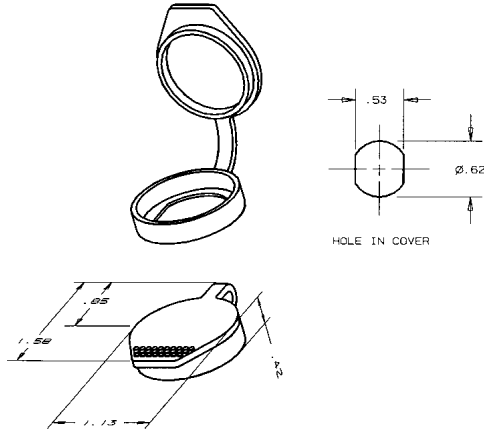
Prod. #	Key #	A	AA	B	C	Offset
<b>694-0184</b>	200	5/8"	3/4"	3/4"	1 1/2"	1/8"
<b>694-0130</b>	SJ	5/8"	3/4"	1 1/4"	1 3/8"	1/16"



REV. 02/2024

Plastic cover for quarter-turns

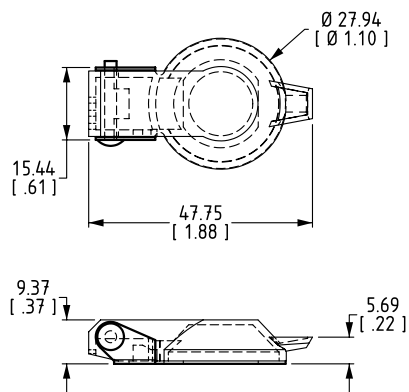
Prod. #: 694-0025



Metal cover for quarter-turns

Prod. #: 695-5857

Zinc die cast. With spring.

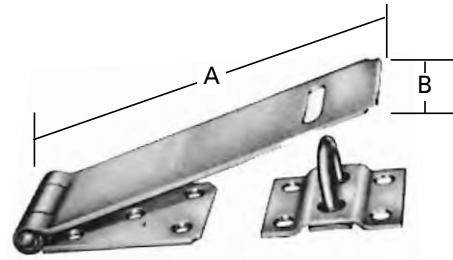


REV. 01/2011

## Zinc plated steel hasps

Prod. #	A	B	Min. qty
451-4367	3 1/2"	1 1/2"	50
451-4374	4 1/2"	1 1/2"	50
451-4381	6"	1 3/4"	50

Some parts may be lead time items.  
Consult our sales department for availability.

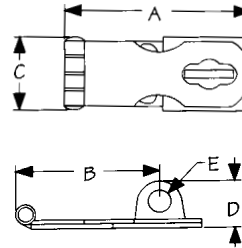


## Stainless steel hasp

Prod. #: **699-0185**

Stainless steel

A	B	C	D	E	Screw
3 3/4"	3 1/8"	1 1/16"	11/16"	5/16"	#5

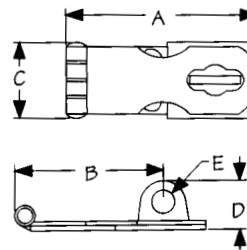


## Stainless rotating hasp

Prod. #: **699-0192**

Stainless steel

A	B	C	D	E	Screw
2 11/16"	2 1/8"	1 1/16"	7/8"	5/16"	#7

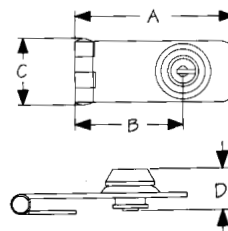


## Stainless steel hasp with cylinder

Prod. #: **699-0227**

Stainless steel

A	B	C	D	Screw
3 1/8"	2 1/8"	1 1/4"	3/4"	#7

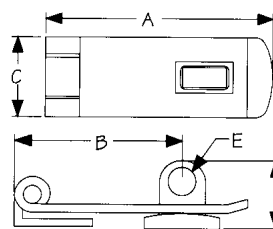


## Stainless steel hasp

Prod. #: **699-0202**

316 stainless steel casting

A	B	C	D	E	Screw
3"	2 1/4"	1 1/8"	1"	5/16"	#8



REV. 04/2012

**Stainless steel cam lock 16 mm (5/8")**

Prod. #: **701-4838**

Complete stainless steel lock with 16 mm (5/8") tubing.

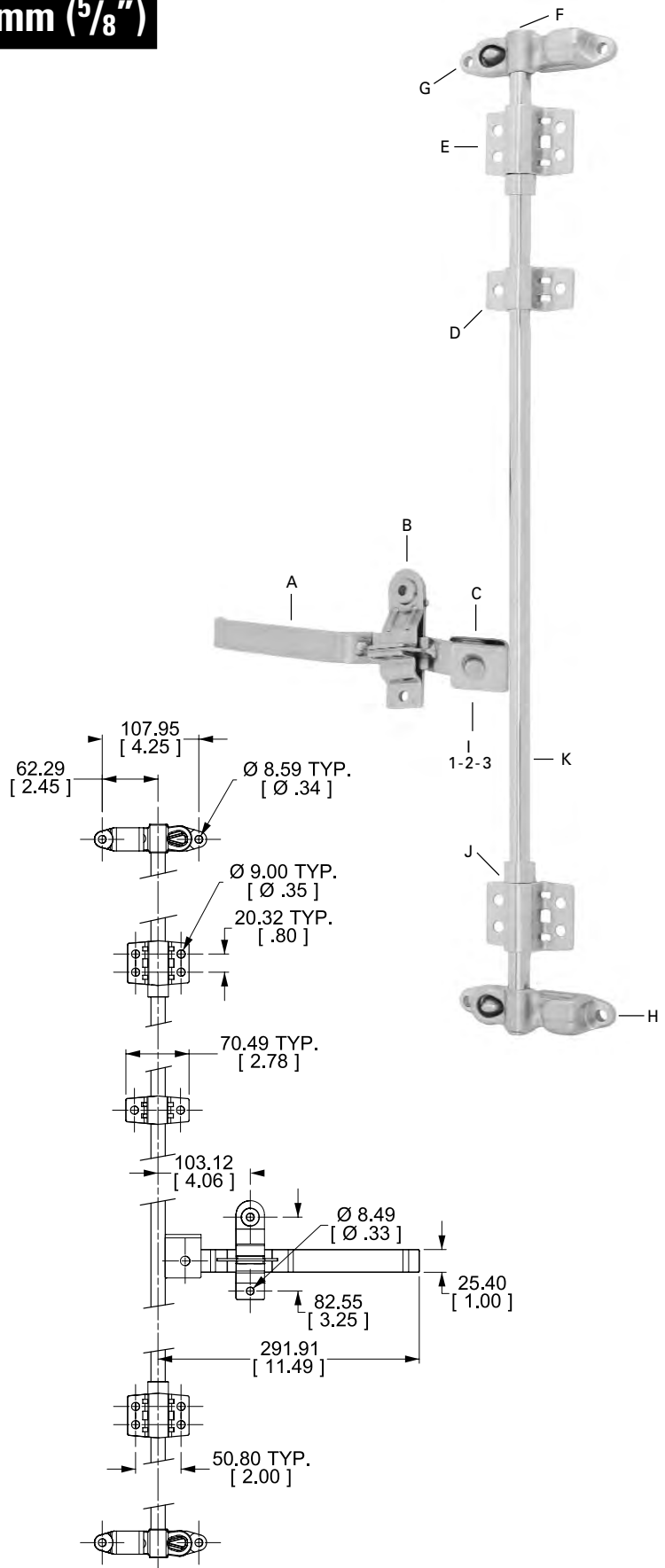
Compression lock made entirely of stainless steel. All visible parts are polished.

Keepers and cams are made of forged stainless steel for greater wear resistance.

Anti-rack cam and keepers.

**Replacement parts:**

Prod. #	Description
A: 701-4098	Handle
B: 701-4080	Handle keeper
C: 701-4387	Weld-on lever mount
D: 701-4588	Small tube guide
701-4267	Nylon support plate
E: 701-4242	Large tube guide
F: 701-4210	Cam (LH/RH)
G: 701-4235	Cam keeper (LH/RH)
H: 701-4570	Spacer for keeper
I-1: 701-4115	Handle pivot
I-2: 701-4299	Washers
I-3: 701-4595	Nut for lock
J: 701-4274	Collar
K: 703-4263	Polished stainless steel tube 5/8" (16 mm) x 98"



**B**

**LOCKS & LATCHES**

REV. 04/2018

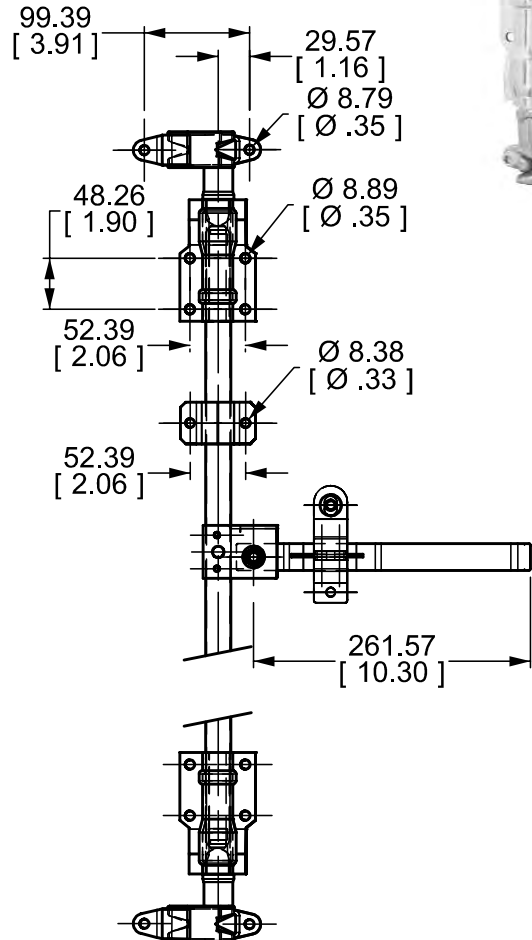
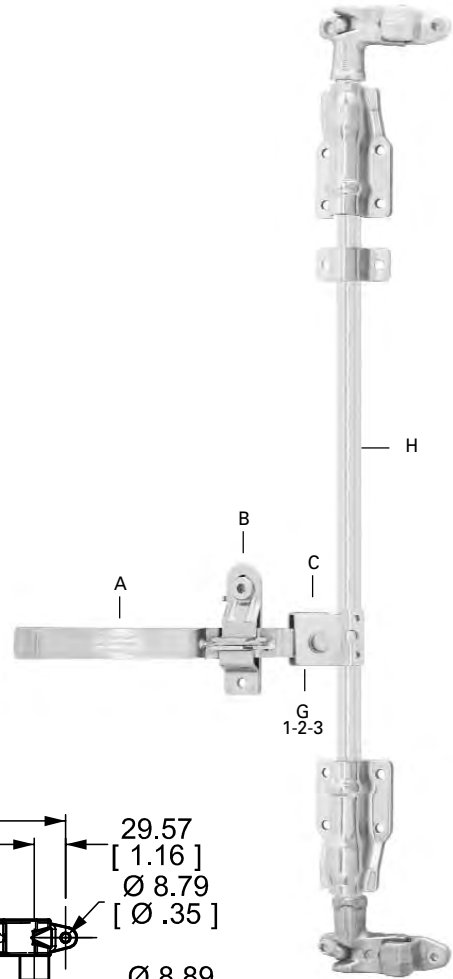
## Stainless steel cam lock 22 mm (7/8")

Prod. #: **701-4034** Straight handle

Complete stainless steel lock with 22 mm (7/8") tubing.  
 Compression lock made entirely of stainless steel.  
 All visible parts are polished.  
 Keepers and cams are made of forged stainless steel  
 for greater wear resistance.  
 Anti-rack cams and keepers.

**Replacement part:**

	Prod. #	Description
A:	<b>701-4098</b>	Straight handle
	<b>701-0174</b>	Kit external lock (includes: 2 large guides, 1 small guide, 2 cams and 2 cam keepers)
B:	<b>701-4080</b>	Handle keeper
C:	<b>701-0181</b>	Lever mount
G-1:	<b>701-4115</b>	Handle pivot
G-2:	<b>701-4299</b>	Washer
G-3:	<b>701-4595</b>	Nut
H:	<b>703-4016</b>	Polished stainless steel tube 7/8" (22 mm) X 98"



REV. 01/2011

Stainless steel cam lock 22 mm (7/8")

Prod. #: 701-0801

Complete stainless steel lock with 22 mm (7/8") tubing.  
Compression lock made entirely of stainless steel.  
All visible parts are polished.



REV. 01/2011

## Stainless steel cam lock 27 mm (1 1/16")

Prod. #: 701-0791 Straight handle

### Heavy duty model for trailers.

Complete stainless steel lock with 27 mm (1 1/16") tubing.

Compression lock made entirely of stainless steel. All visible parts are polished.

With plastic sleeve inside tube guides.



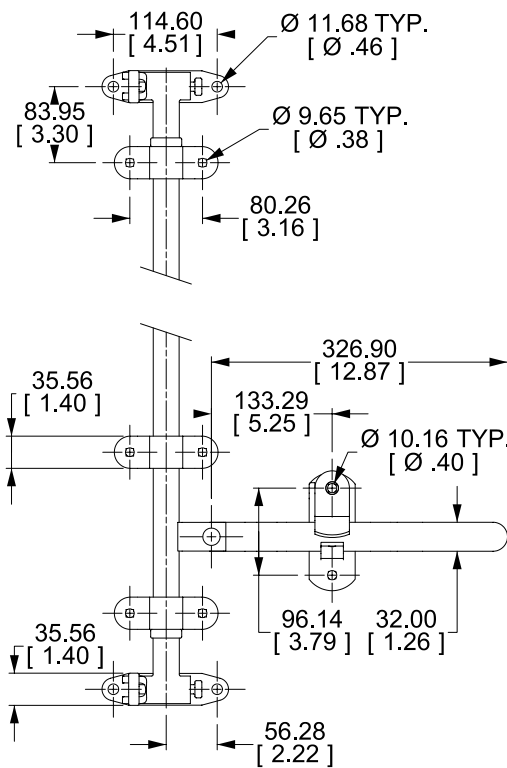
REV. 01/2011



## Aluminum compression cam lock

Prod. #: 699-4977

Low profile aluminum bar 2-point lock.  
For 3/4 nps and 1.050" O.D. tubing (tubing not included).  
Anti-rack design. Less end frame movement and less hole elongation.  
Stainless steel handle keeper.

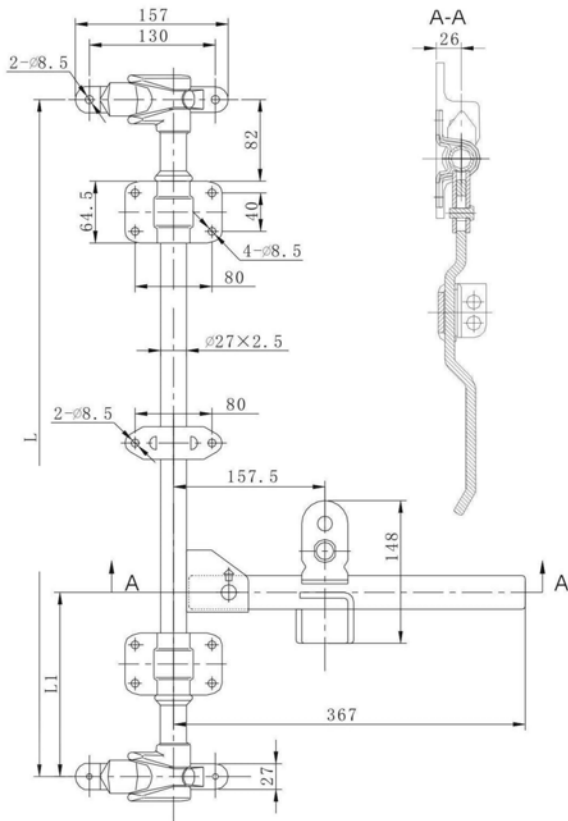


REV. 01/2011

## Compression cam lock

Prod. #: 703-0332

Zinc plated  
2-point lock, anti-rack.  
For 1 1/16" O.D. dia. tubing (tubing not included).  
Designed for use on trailers, containers and truck bodies.  
Also used on doors of large industrial enclosures where  
gasket compression is required for tight sealing.

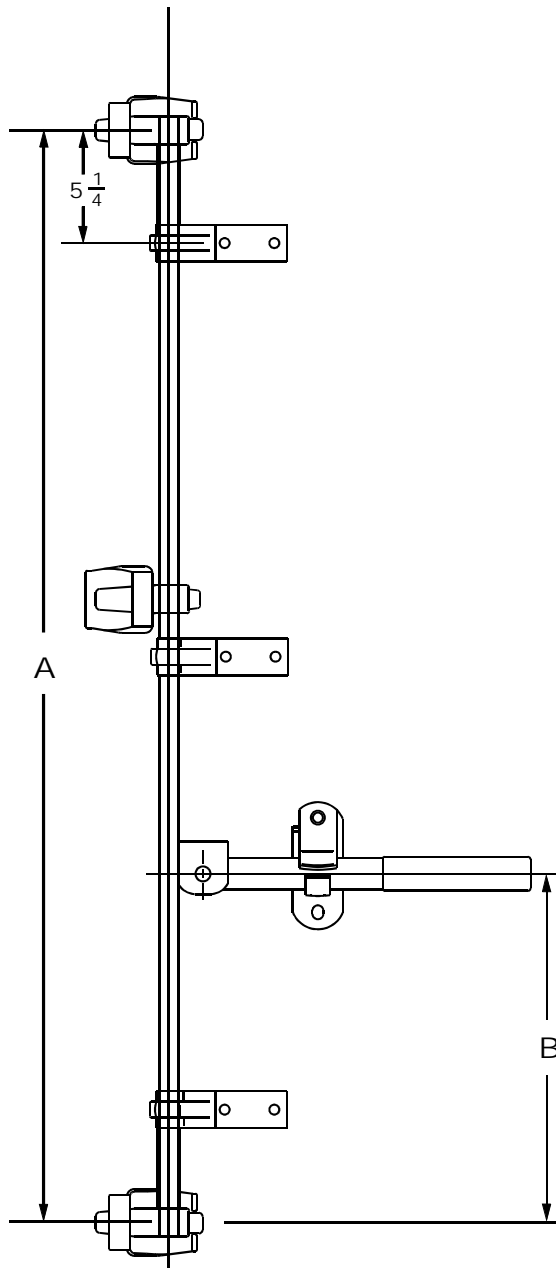


REV. 01/2011

## Compression cam lock

- # prod.: **701-1435** 3 point compression cam lock
- # prod.: **701-0276** Galvanised steel tubing, 10 feet (sold separately)

Ideal for tractor-trailer, refrigerated equipment and all insulated doors.  
Zinc plated  
2 or 3 points anti-rack.  
For 3/4 nps and 1.050" O.D. tubing (tubing not included).  
Anti-rack cam and keepers



REV. 01/2011

## Compression cam lock

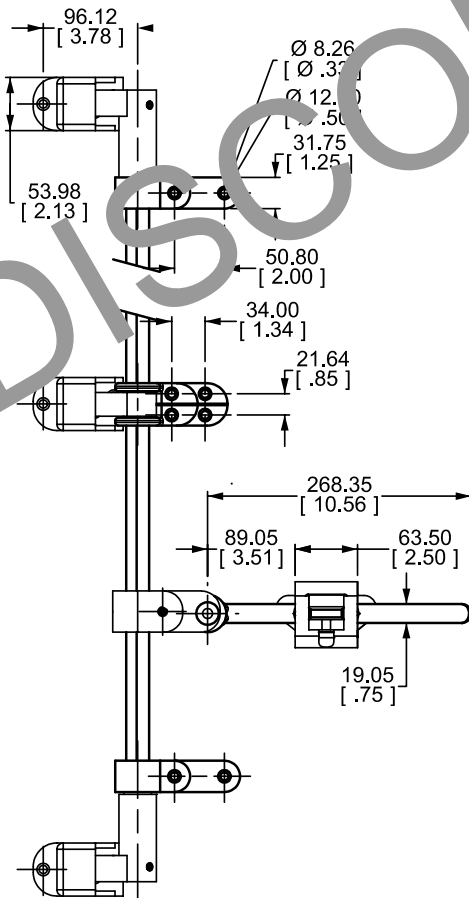
Prod. #: **701-1001** 3-points

Zinc plated

5/8" x 96" square rod (included).

Ideal for refrigerated units. Provides maximum sealing around doors.

Requires no welding for assembly. The lock cams and handle are attached with set screws.

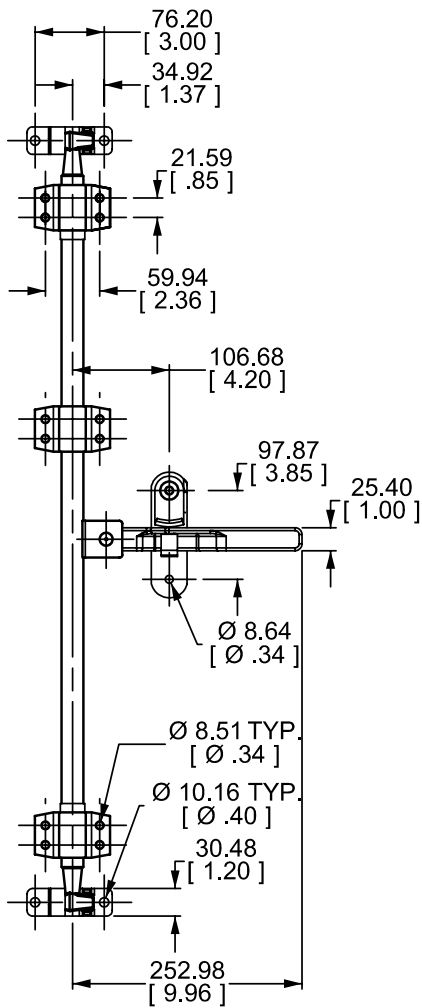


REV. 11/2011

**Light duty compression cam locks**

Prod. #: **703-0533** RH  
Prod. #: **703-0526** LH (ill.)

Zinc plated  
2-point lock  
Anti-Rack mini-lock for 5/8" (15 mm) I.D. tubing (tubing not included).  
Ideal for small rental trailers, heavy tool boxes, etc.



703-0533 RH



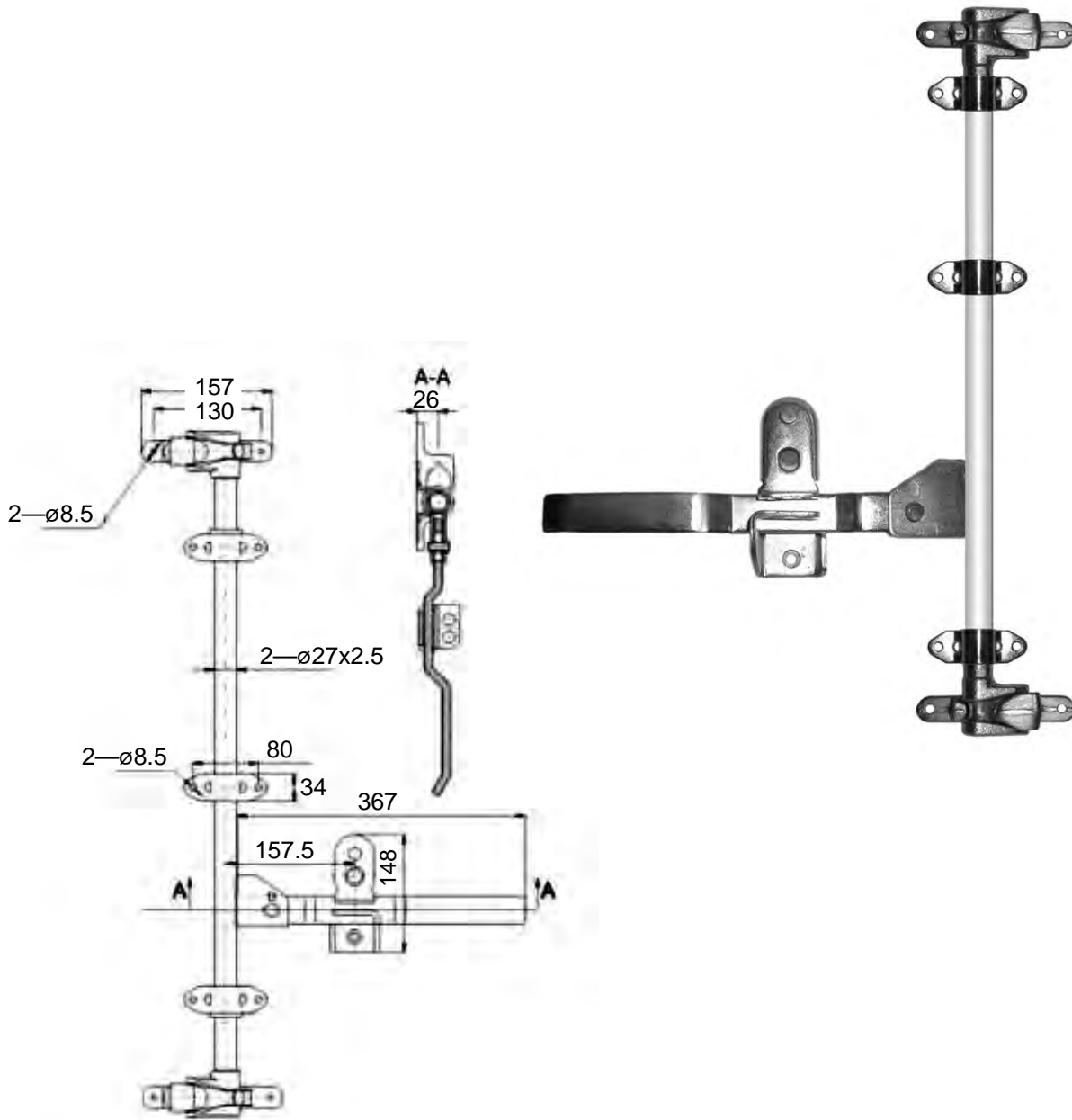
703-0526 LH

REV. 04/2018

## Light duty compression cam lock

Prod. #: **703-0357** Compression cam lock

Zinc plated  
2 point lock  
For  $\frac{3}{4}$  nps and 1.050" O.D. tubing (tubing not included).  
Cams and keepers are of malleable steel.



REV. 09/2011

**Hinged cam lock**

Prod. #: **701-0015**

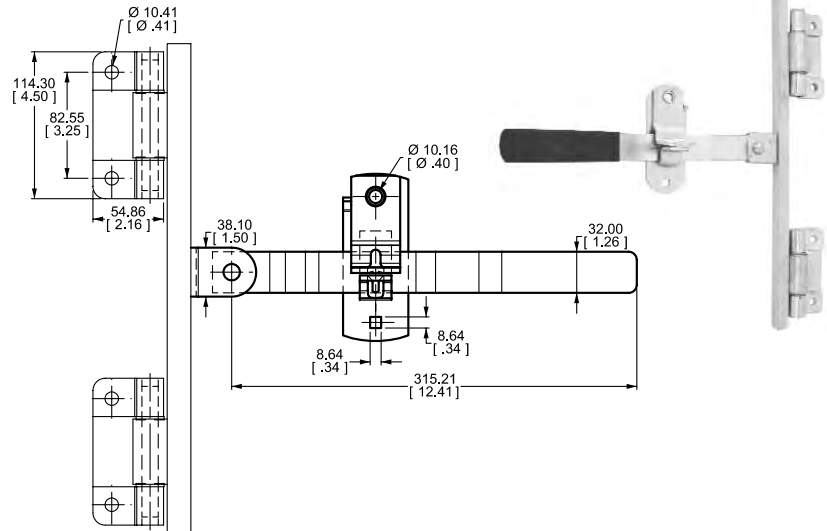
Lock

Prod. #: **701-0276**

Galvanised steel tubing, 10 feet (sold separately)

Zinc plated

Hinged locks for FRP or Metalply side doors where a conventional type of lock cannot be used. The tubing welded to the hinge brackets, compresses the edge of the door into the door opening. (tubing not included)



**B**

**LOCKS & LATCHES**

**Hinged cam lock**

Prod. #: **701-6514**

Complete (except tubing)

Prod. #: **754-2274**

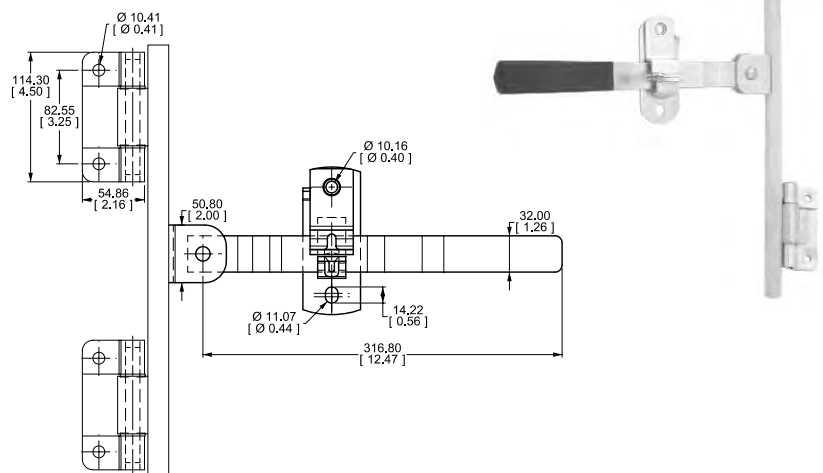
Lock hinge and bushing only

Prod. #: **701-0276**

Galvanised steel tubing, 10 feet (sold separately)

Zinc plated

Hinged locks for FRP or Metalply side doors where a conventional type of lock cannot be used. The tubing welded to the hinge brackets, compresses the edge of the door into the door opening. (tubing not included)



REV. 01/2011



## Stainless mini recessed cam lock

Prod. #: **701-5648** Mini push lock, 25.5 mm (1") depth

**Overall dimensions:** 246 mm x 122 mm (9 11/16" x 4 3/4")

Polished stainless steel.

Specially designed for multi-drop delivery vans, ice-cream bodies, catering tool boxes, telecom containers.

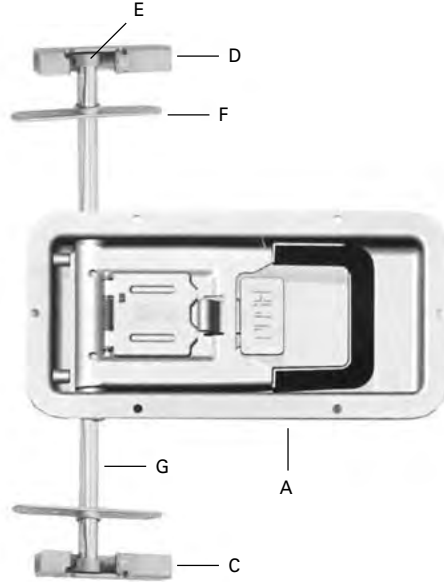
All components are made of stainless steel and all visible parts are polished.

**THE COMPLETE PACKAGE INCLUDES THE FOLLOWING PARTS:**

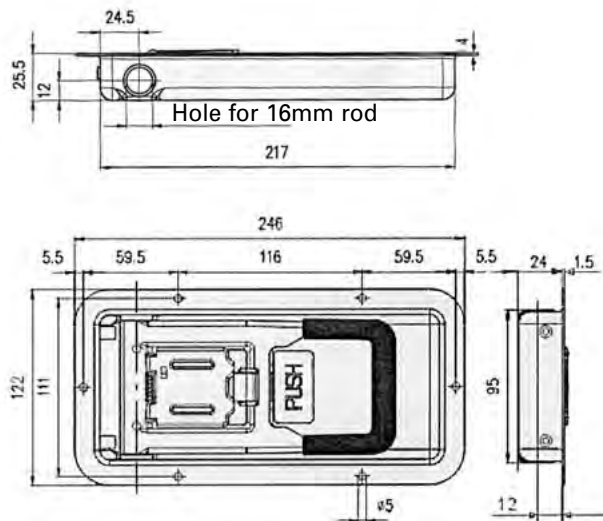
1 center, 1 nylon gasket, 1 inside handle, 1 pan, 2 keepers, 2 cams, 2 guides, 6 rivets and 3 stainless steel rods  
5/8" x 6"

**Replacement parts:**

Prod. #	Description
A: 701-5655	Center case only (25.5 mm)
C: 703-0117	RH keeper
D: 703-0124	LH keeper
E: 701-4524	LH/RH cam
F: 701-4059	Rod guide
G: 703-4129	5/8" x 6" round rod
701-6948	Nylon gasket



\* Some parts may be lead time items.  
Consult our sales department for availability.



REV. 04/2013



□ = 1/4"