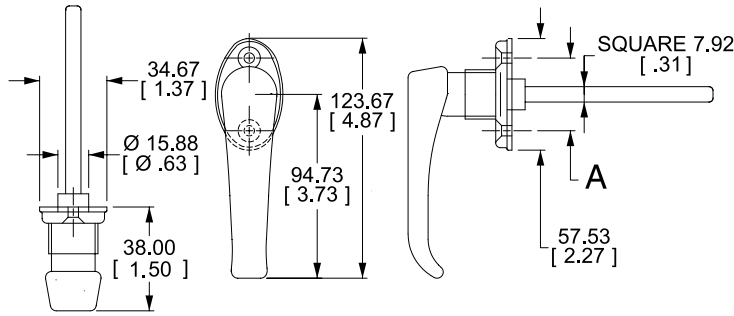


**A**

**HANDLES**

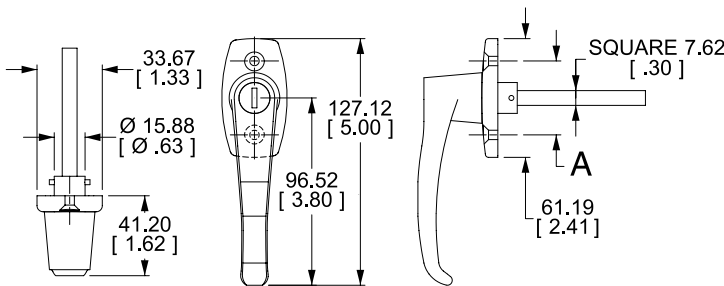


## Locking "L" handle



Prod. #	Mount	Locking	Dust Trap	Rotation 360°	Center to Center Mounting A	Shaft Length ( <sup>5</sup> / <sub>16</sub> " dia.)	Finish	Keys
670-1041	Front	Yes	No	Free rotation	1 1/2"	4"	Chrome	Assorted

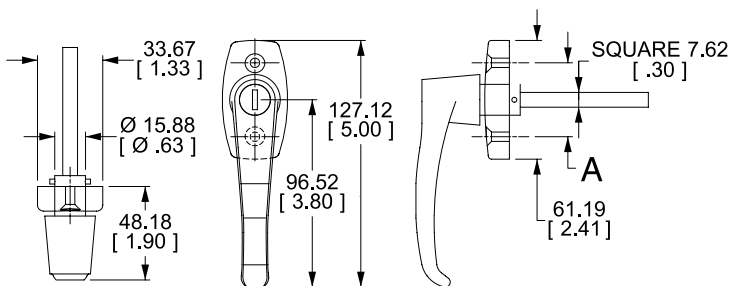
## Locking and non-locking "L" handles



Prod. #	Mount	Locking	Dust Trap	Rotation 360°	Center to Center Mounting A	Shaft Length ( <sup>5</sup> / <sub>16</sub> " dia.)	Finish	Keys
670-1002 *	Front	Yes	No	Free rotation	1 3/4"	4"	Chrome	CH501
680-1007	Front	No	No	Free rotation	1 3/4"	4"	Chrome	None

\* Minimum of 12

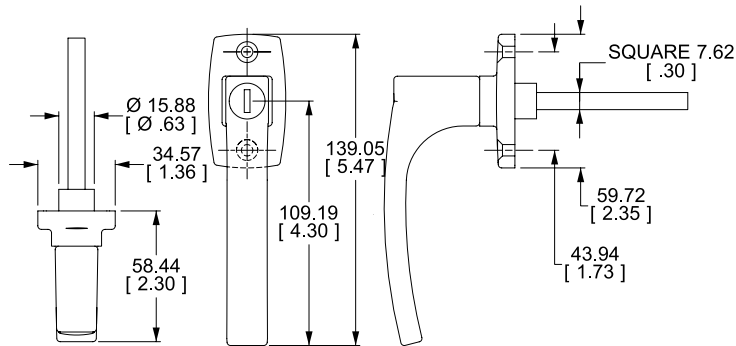
## Locking "L" handles



Prod. #	Mount	Locking	Dust Trap	Rotation 360°	Center to Center Mounting A	Shaft Length ( <sup>5</sup> / <sub>16</sub> " dia.)	Finish	Keys
680-1021	Front	Yes	No	Free rotation	1 1/2"	3"	Chrome	Assorted
670-1789	Front	Yes	No	Free rotation	1 3/4"	3"	Chrome	Assorted

REV. 02/2024

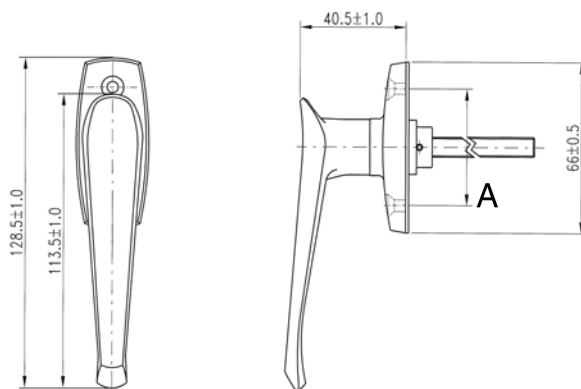
**Locking "L" handle**



Supplied with mounting gasket

Prod. #	Mount	Locking	Dust Trap	Rotation 360°	Center to Center Mounting	Shaft Length ( $5/16$ " dia.)	Finish	Keys
670-7420	Front	Yes	Yes	Free rotation	1 $3/4$ "	3"	Handle top polished chrome	Assorted

**Locking and non-locking "L" handles**

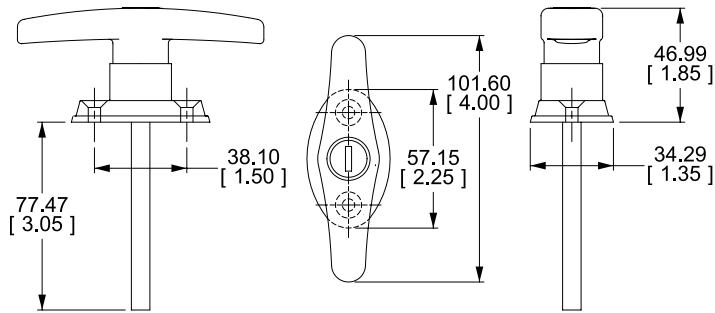


Supplied with mounting gasket

Prod. #	Mount	Locking	Dust Trap	Rotation 360°	Center to Center Mounting A	Shaft Length ( $5/16$ " dia.)	Finish	Keys
670-0087	Front	Yes	Yes	Free rotation	1 $1/2$ "	3"	Chrome	Assorted
670-0094	Front	Yes	Yes	Free rotation	1 $3/4$ "	3"	Chrome	Assorted
670-0224	Front	Yes	Yes	Free rotation	1 $3/4$ "	5"	Chrome	Assorted
680-0042	Front	No	No	Free rotation	1 $1/2$ "	3"	Chrome	None
680-0067	Front	No	No	Free rotation	1 $3/4$ "	3"	Chrome	None

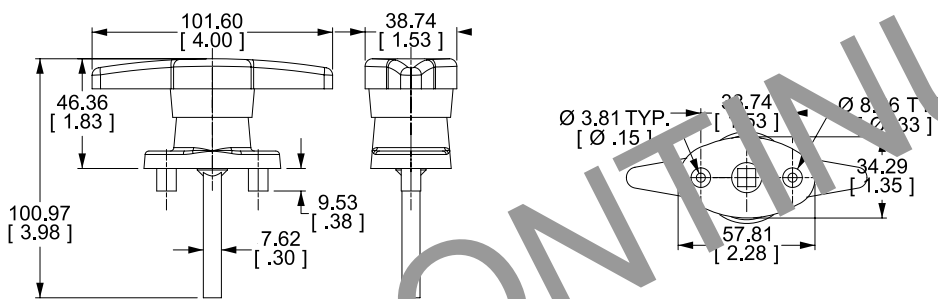
REV. 11/2011

## Locking "T" handle



Prod. #	Mount	Locking	Dust Trap	Rotation 90°	Center to Center Mounting	Shaft Length (5/16" dia.)	Finish (Powder coated)	Keys
670-0873	Front	Yes	Yes	CW (LH)	1 1/2"	3"	Black	CH501

## Locking "T" handle

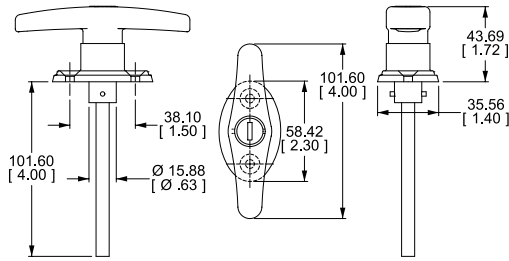


Polymer construction

Prod. #	Mount	Locking	Dust Trap	Rotation 90°	Center to Center Mounting	Shaft Length (5/16" dia.)	Finish	Keys
670-1194	Blind	Yes	Yes	CW (LH)	1 1/2"	2" (5/16" dia.)	Black	Assorted

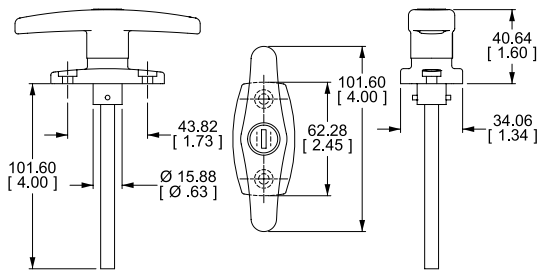
REV. 01/2014

**Locking "T" handle**



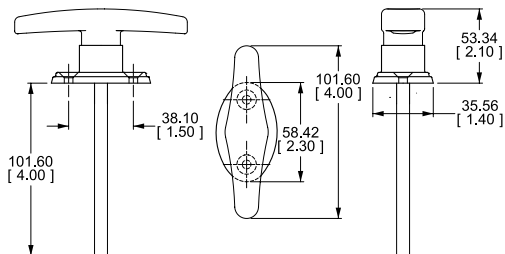
Prod. #	Mount	Locking	Dust Trap	Rotation 90°	Center to Center Mounting	Shaft Length	Finish	Keys
670-1563	Front	Yes	Yes	CW (LH)	1 1/2"	4" (5/16" dia.)	Chrome	Assorted

**Locking "T" handle**



Prod. #	Mount	Locking	Dust Trap	Rotation 90°	Center to Center Mounting	Shaft Length	Finish	Keys
670-6177	Front	Yes	No	CW (LH)	1 3/4"	4" (5/16" dia.)	Chrome	CH501

**Non-locking "T" handles**



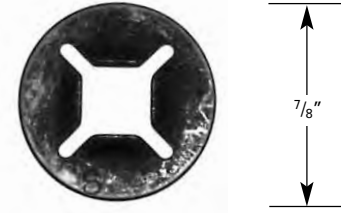
Prod. #	Mount	Locking	Dust Trap	Rotation	Center to Center Mounting	Shaft Length	Finish	Keys
680-0451	Front	No	No	90° CW (LH)	1 1/2"	4" (5/16" dia.)	Chrome	None
680-1014	Front	No	No	360° Free rotation	1 1/2"	4" (5/16" dia.)	Chrome	None

REV. 01/2011

## Tinnerman nut

Prod. #: **672-1168**

Tinnerman nut to lock the mounting plate on  $\frac{5}{16}$ " square shank.

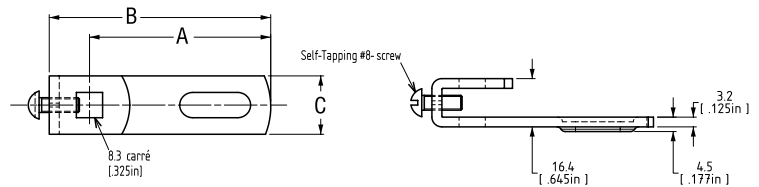


## Cams

Cams with set screw to fit  $\frac{5}{16}$ " square shank.

Zinc plated

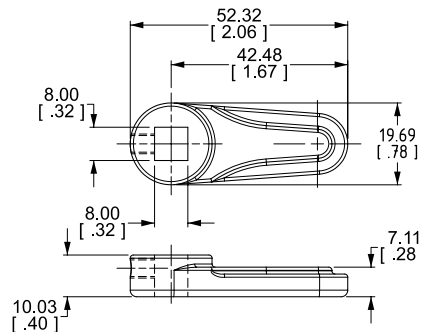
Prod. #	A	B	C
694-5023 (ill.)	2 $\frac{3}{16}$ "	2 $\frac{21}{32}$ "	$\frac{3}{4}$ "
694-0219	1 $\frac{1}{2}$ "	2"	$\frac{5}{8}$ "



## Cam

Prod. #: **694-7711**

Cams with set screw to fit  $\frac{5}{16}$ " square shank.  
Zinc die cast with tapered edges.



REV. 01/2011

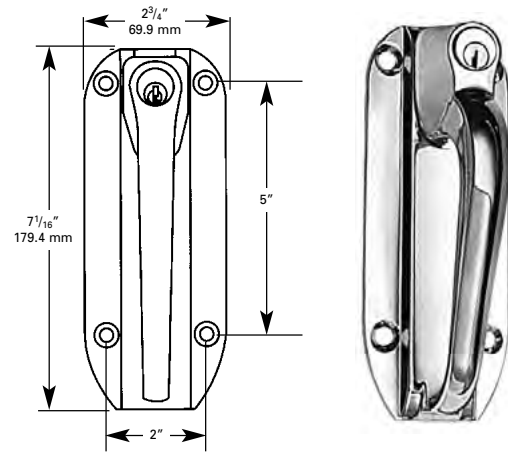
**Locking handles**

Chrome  
2 sizes of shank of 3 3/4" as well as 2 types of cylinder.

Prod. #	Shank	Type	Removable cylinder
670-7935	5/16"	P	Yes
670-2077	5/16"	S	No
670-7928	3/8"	P	No
670-0009	3/8"	S	No

P type: Locks when push-button is depressed.  
S type: Key required to lock.

Replacement cylinder: 709-0395

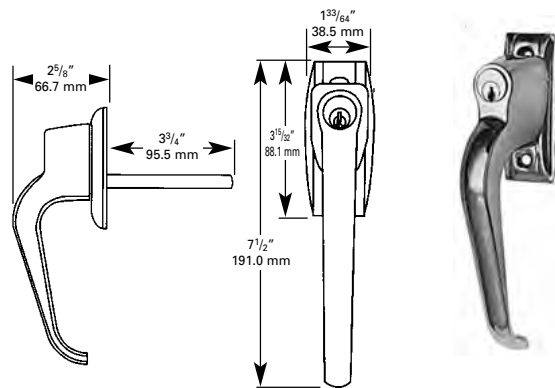


**Locking push-button handle**

Chrome

Prod. #	Shank	Type	Removable cylinder
670-7942	5/16"	Push button	Yes

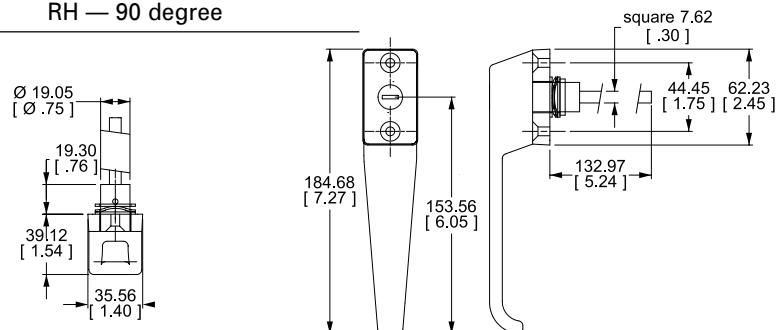
Replacement cylinder: 709-0395



**Heavy duty locking handles**

Not push-button

Prod. #	Shank	Description
672-0277	19/64"	LH — 90 degree
672-0252	19/64"	RH — 90 degree



REV. 01/2012

A

HANDLES

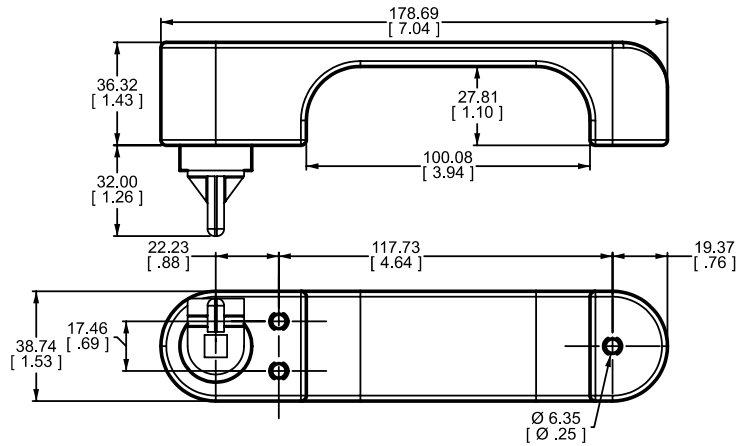
## Push-button handle

Prod. #: **672-4874**

Black reinforced polyester push-button handle to operate rotary latches on heavy equipment.

Push-button handle to operate rotary latches: **692-0082 (RH) / 0075 (LH)** (see page B17)

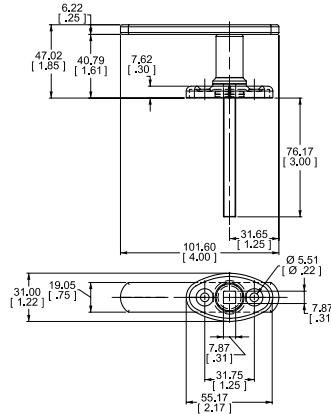
Blind mount



## Offset handle

Prod. #: **672-1016**

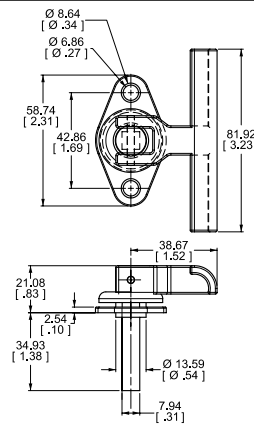
Zinc plated



## Folding "T" handle

Prod. #: **673-5001**

Zinc plated

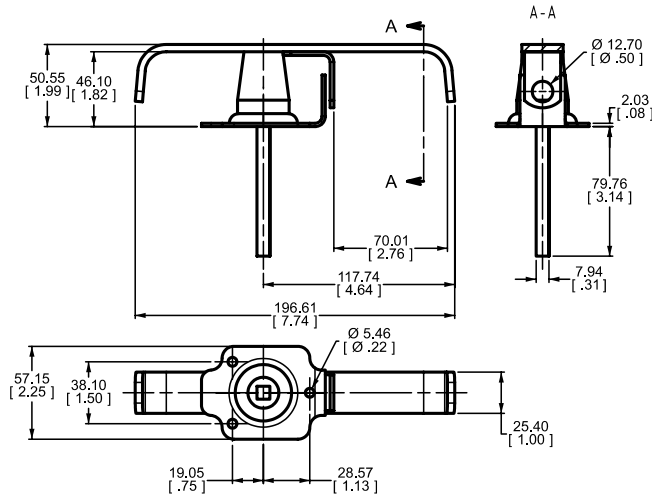


REV. 01/2011



Padlockable "L" handle

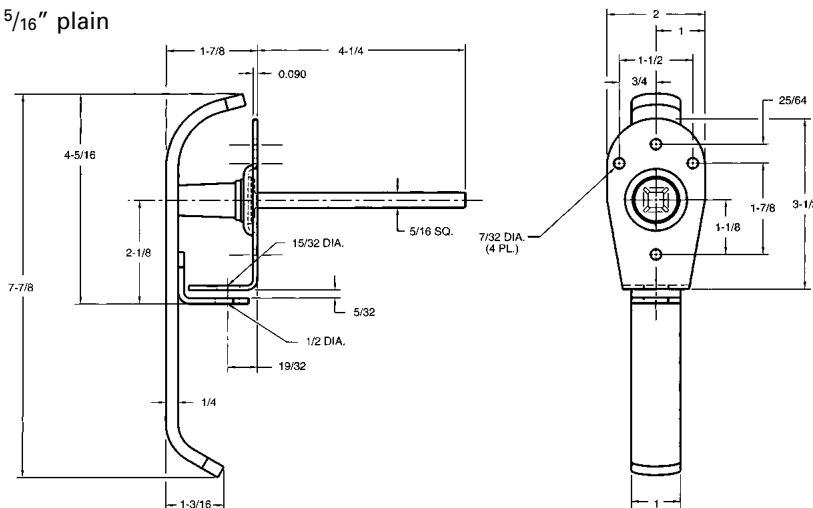
Prod. #	Finish	Shank
671-0159	Stainless steel	5/16" threaded 3/8" - 16
695-2750	Mounting gasket	



Padlockable "L" handle

Prod. #: 671-1071

Zinc plated 1/4" material  
Shank: 5/16" plain

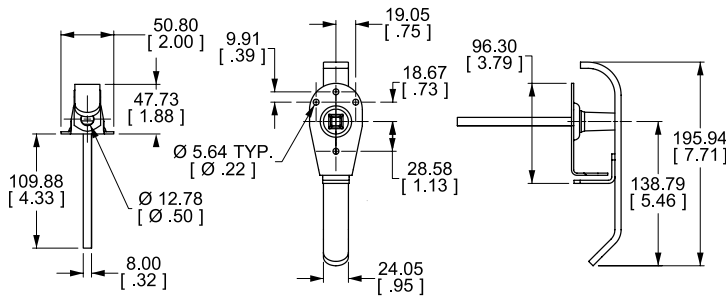


REV. 01/2011

## Stainless steel padlockable "L" handle

Prod. #: **671-1138**

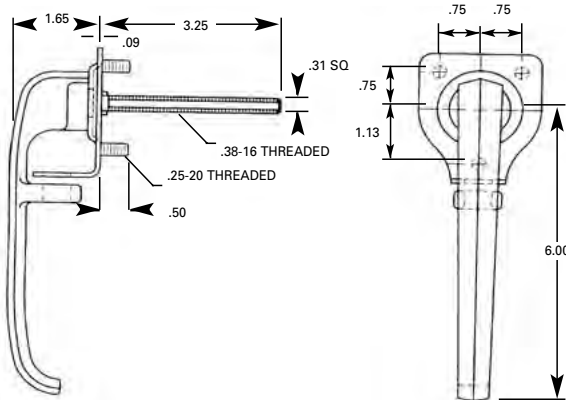
Stainless steel  
Shank: 5/16" plain



## Stainless steel padlockable "L" handle

Prod. #: **699-7705**

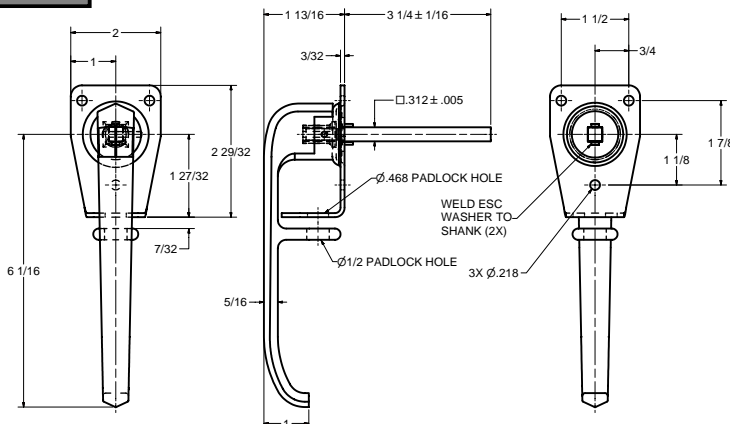
**Blind mount**  
Polished stainless steel die cast.  
Shank: 5/16" threaded 3/8-16  
"O" ring and mounting gasket included.



## Padlockable "L" handle

Prod. #: **670-1644**

Zinc plated  
Shank: 5/16" plain

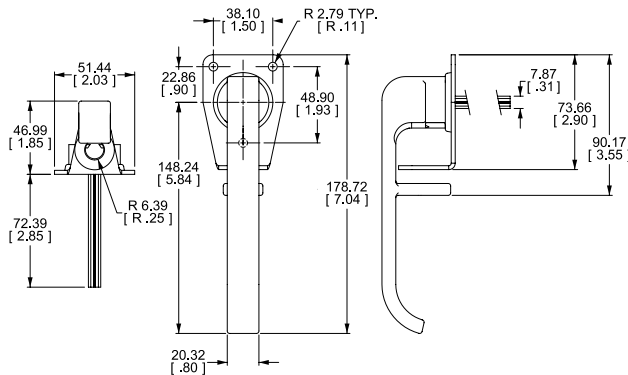


REV. 01/2011

**Padlockable "L" handle**

Prod. #: **670-0016**

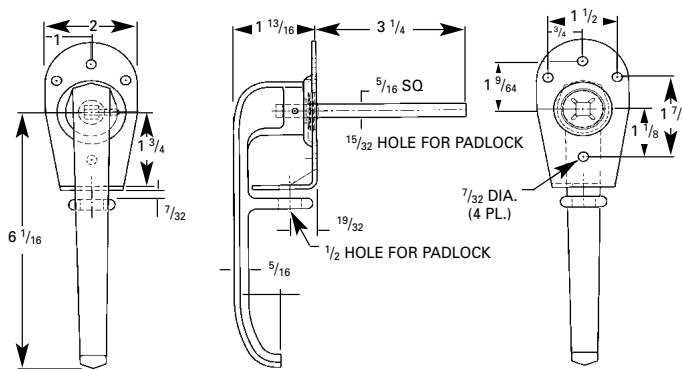
Zinc plated  
Shank: 5/16" threaded 3/8-16



**Padlockable "L" handle**

Prod. #: **671-1000**

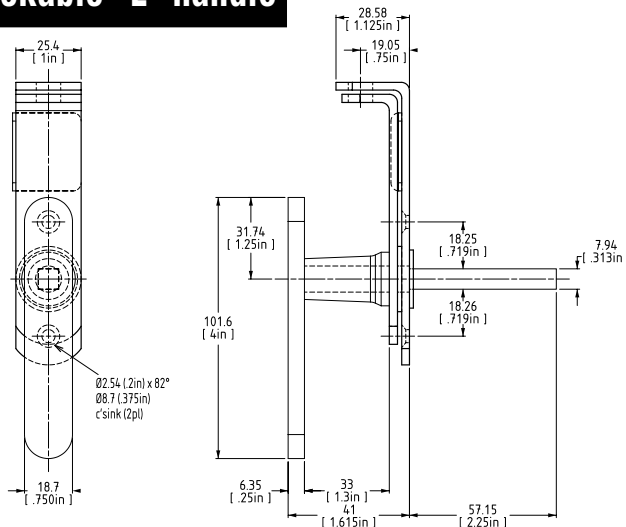
Zinc plated  
Shank: 5/16" plain



**Stainless steel padlockable "L" handle**

Prod. #: **671-1145**

Stainless steel  
Shank: 5/16" plain

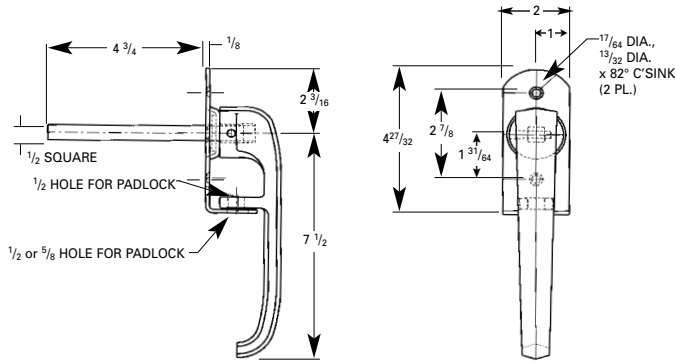


REV. 01/2011

## Heavy duty padlockable "L" handle

Prod. #: **671-1089**

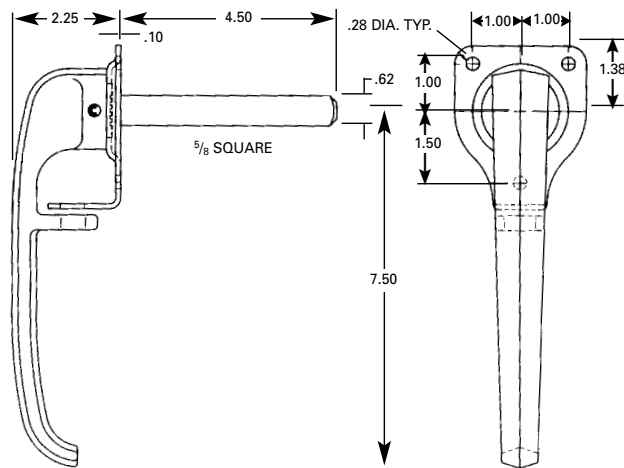
Zinc plated  
Shank: 1/2" plain  
Can be used with 3-point  
slam lock **700-1645**  
page B30.



## Heavy duty padlockable "L" handle

Prod. #: **671-5012**

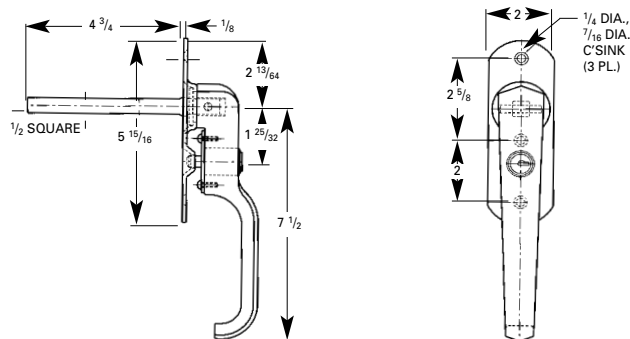
Zinc plated  
Shank: 5/8" plain  
Can be used with 3-point  
slam lock **700-5826**  
page B30.



## Heavy duty locking "L" handle

Prod. #: **672-1048**

Zinc plated  
Shank: 1/2" plain  
Brass locking cylinder.  
Can be used with 3-point  
slam lock **700-1645**  
page B30.



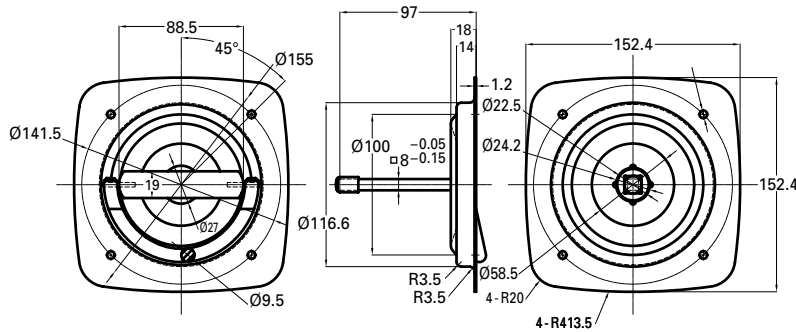
Replacement cylinder: **672-1136** (key #1369)

REV. 01/2011

**Stainless non-locking recessed D-ring handle**

Prod. #: **698-0028**

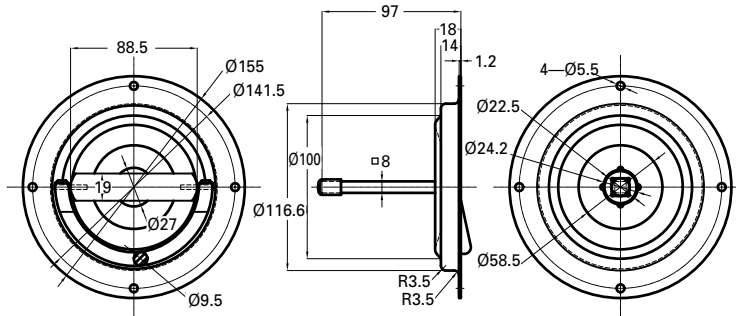
Stainless steel  
Shank:  $\frac{5}{16}$ "  
Mounting gasket included.



**Stainless non-locking D-ring recessed handle**

Prod. #: **683-2816**

Polished stainless steel  
Shank:  $\frac{5}{16}$ "  
Mounting gasket:  
**683-0015**



REV. 01/2011

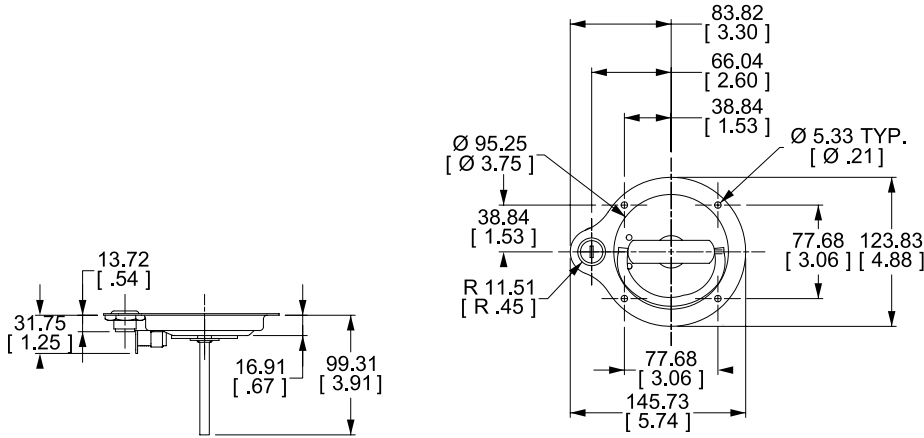
## Stainless locking recessed D-ring handle

Prod. #: **673-0317**

Polished stainless steel with four <sup>7</sup>/<sub>32</sub>" mounting holes.

Shank: <sup>5</sup>/<sub>16</sub>"

Mounting gasket included: **683-0061**



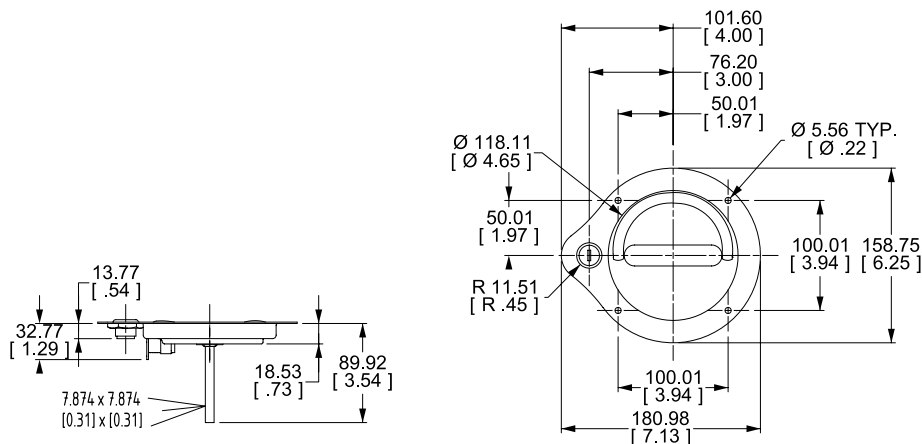
## Stainless locking recessed D-ring handle

Prod. #: **673-0282**

Polished stainless steel with four <sup>7</sup>/<sub>32</sub>" mounting holes.

Shank: <sup>5</sup>/<sub>16</sub>"

Mounting gasket included.

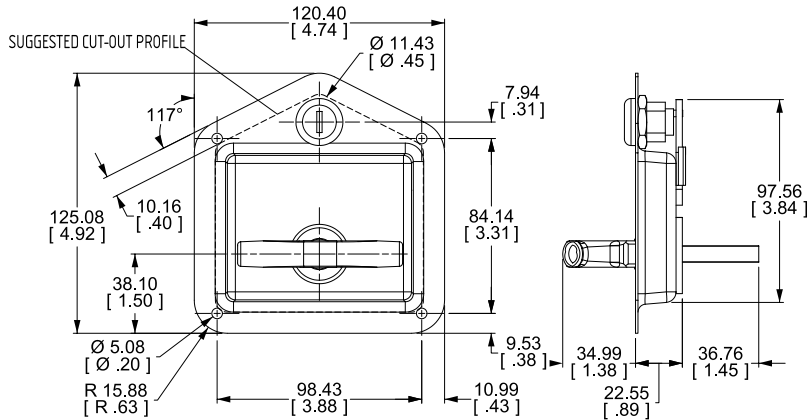


REV. 01/2011

Stainless locking folding recessed "T" handle

Prod. #: 673-0395

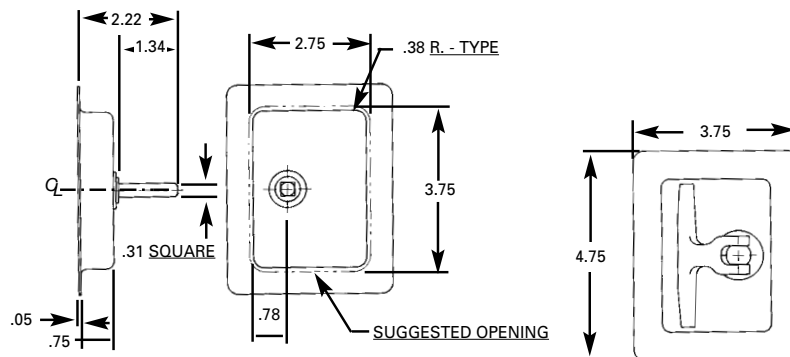
Stainless steel  
Shank: 5/16"  
Mounting gasket:  
623-1420



Non-locking folding recessed "T" handle

Prod. #: 683-0632

Zinc plated  
Overall dimensions: 3 3/4" x 4 3/4"  
Required opening: 2 3/4" x 3 3/4"

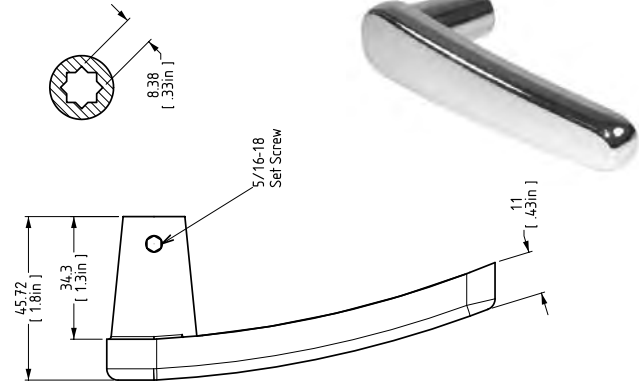
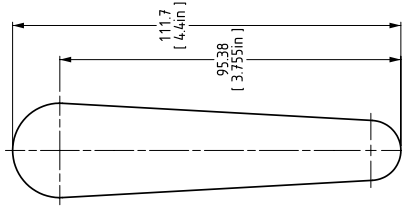


REV. 11/2011

## Interior "L" handle

Prod. #: **681-0001**

Chrome plated  
Zinc die cast.

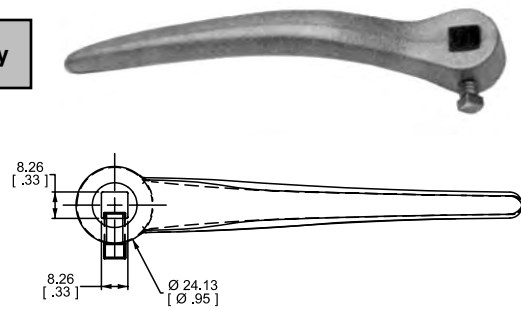
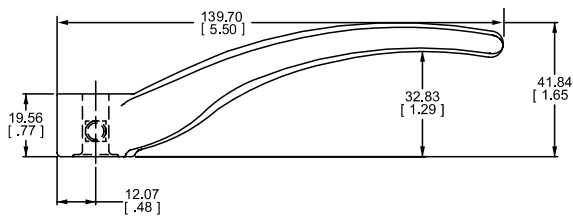


## Interior curved handle

Prod. #: **681-0019**

For indoor use only

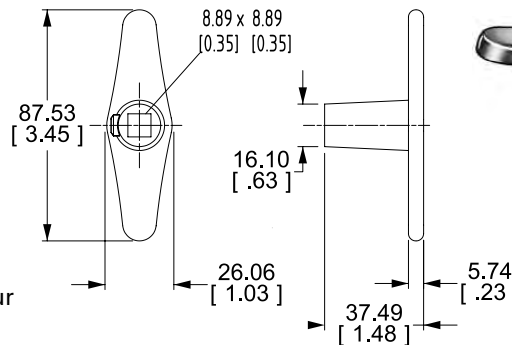
Zinc plated



## Interior "T" handle

Prod. #: **681-0058**

Chrome plated zinc die cast.



• Some parts may be lead time items. Consult our sales department for availability.

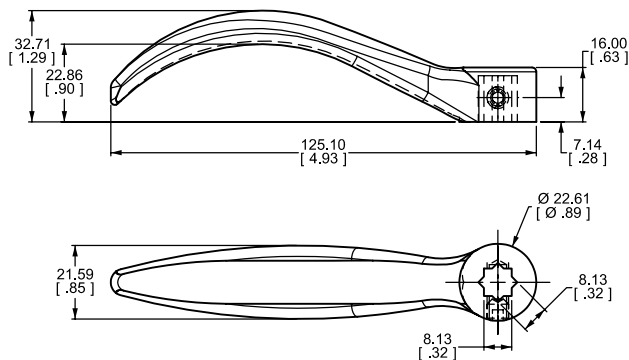
## Interior curved handles

Prod. #: **681-1037**

Zinc die cast

Prod. #: **681-1044**

Chrome finish



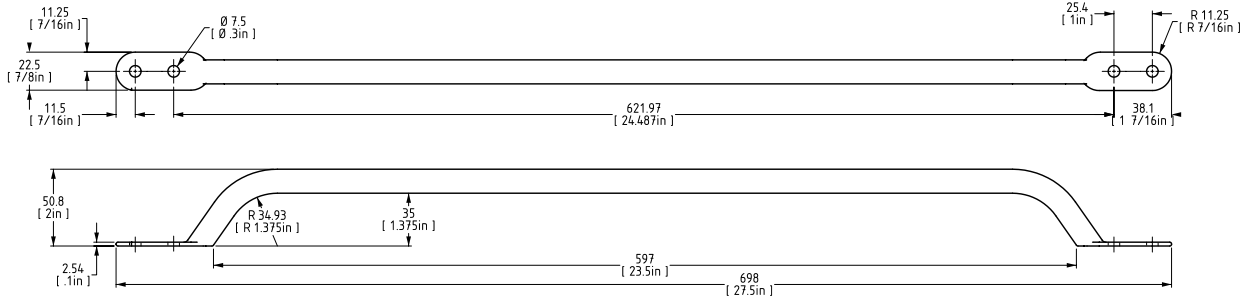
REV. 04/2013



27 1/2" stainless steel grab handle

Prod. #: 682-0063

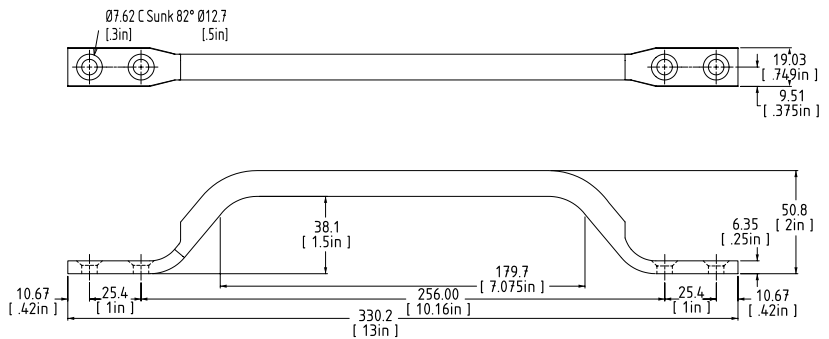
Stainless steel  
4 mounting holes



13" grab handles

4 mounting holes

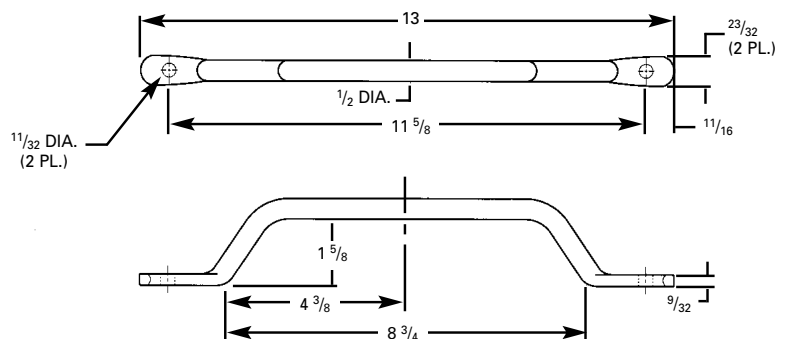
Prod. #	Description
682-4974	Black powder finish
682-5167	Zinc plated
682-5054	Chrome plated
682-3113	Aluminum
682-4981	Stainless steel



13" grab handles

2 mounting holes

Prod. #	Description
682-1010	Zinc plated
682-1028	Chrome plated

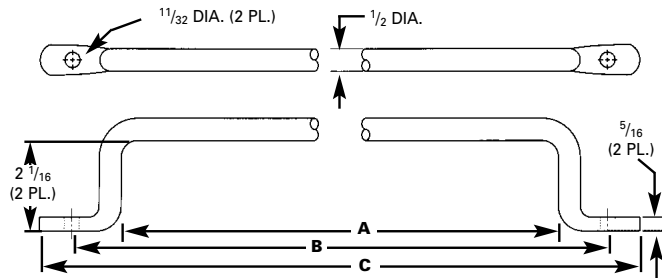


REV. 01/2011

## 15 3/4" grab handle

2 mounting holes

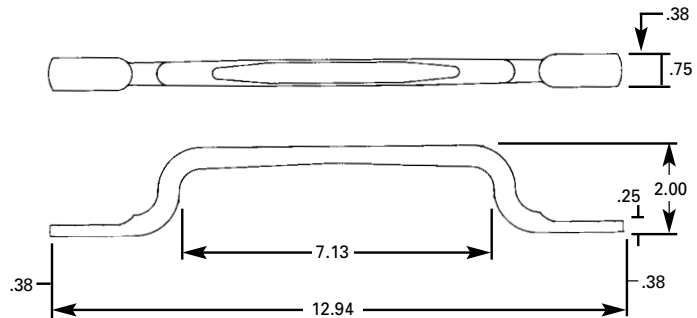
Prod. #	A	B	C	Description
682-1035	12"	14 1/4"	15 3/4"	Chrome plated



## 13" grab handle

Grab handles made of 1/2" dia. formed solid steel.  
Flat grip  
Without mounting holes for welding.

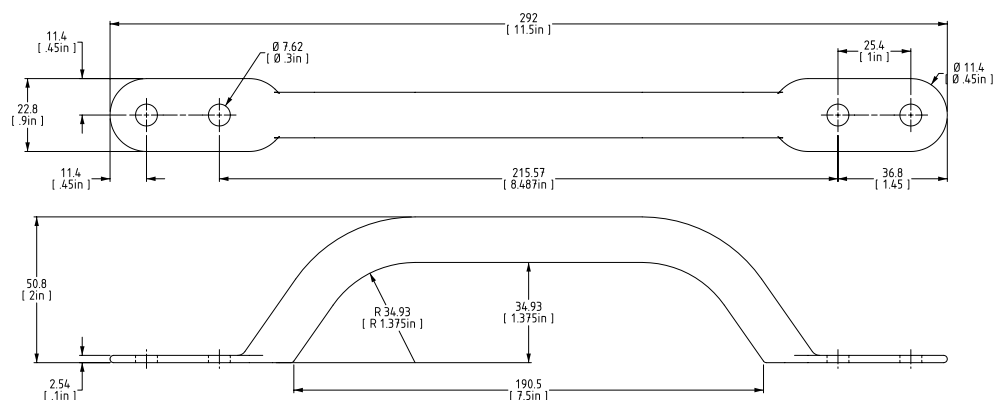
Prod. #	Description
682-0828	Plain steel



## 11 1/2" grab handle

Prod. #: 682-1980 Stainless steel

4 mounting holes  
5/8" O.D. tubing

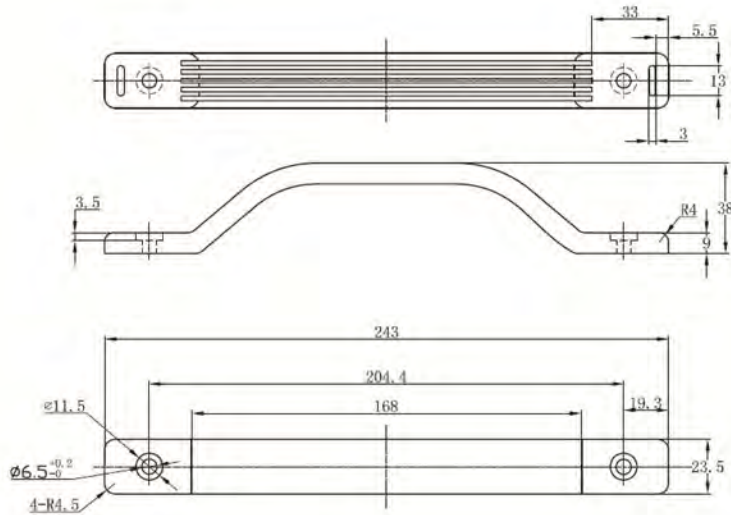


REV. 01/2011

### 9.6" plastic grab handle

Prod. #: **682-0835**

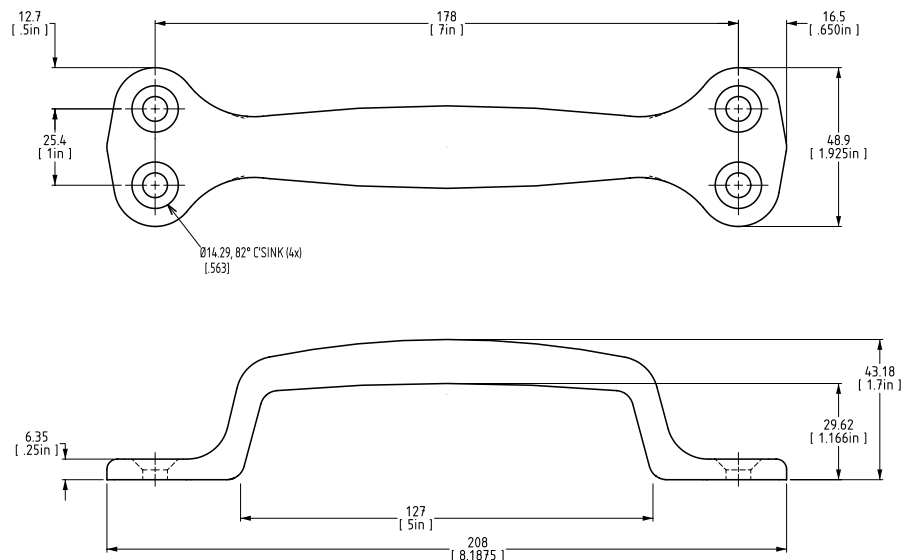
Black rigid plastic handles  
2 mounting holes



### 8" grab handle

Prod. #: **682-9041** Polished chrome  
Prod. #: **680-0109** Mounting gasket

Zinc die cast  
4 mounting holes

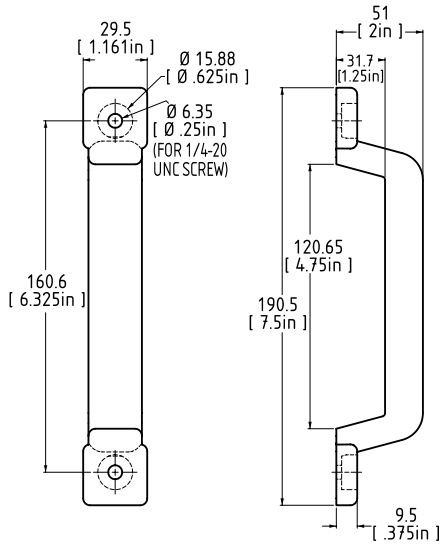


REV. 11/2015

## 7.5" polyurethane grab handle

Prod. #: **682-3000**

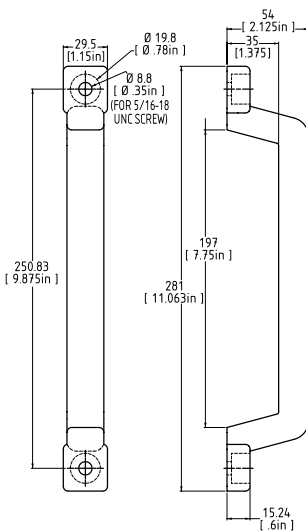
Stainless body, covered with a heavy black polyurethane coating.  
2 mounting holes



## 11" polyurethane grab handle

Prod. #: **682-3018**

Stainless body, covered with a heavy black polyurethane coating.  
2 mounting holes



REV. 01/2011

**Anti-slip grab handle**

Prod. #: **776-0177** 2 ft.

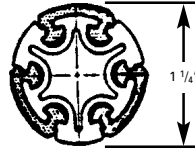
Tube and stanchions  
Centre of tube is 3" from mounting surface.



**Anti-slip tube**

1 1/4" Anti-slip tube,  
with rubber insert.  
Note: For added security, it  
is recommended to support  
tube every 4 ft.

Prod. #	Length
<b>776-0113</b>	4 ft.
<b>776-0120</b>	6 ft.
<b>776-0138</b>	10 ft.

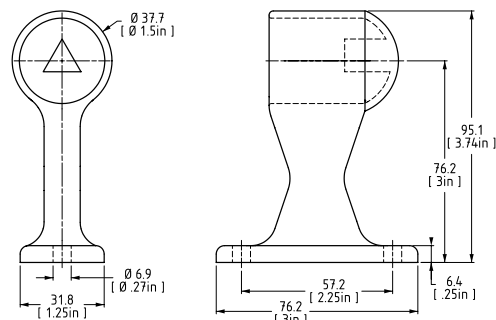


Aluminum: 6463-T6  
Insert: EPDM DURO 85



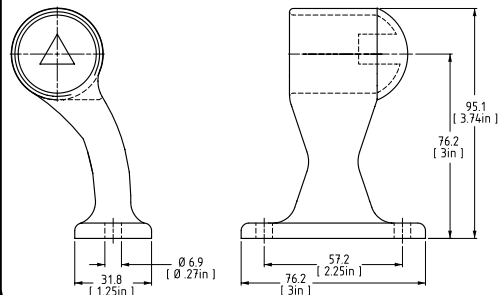
**End stanchion**

Prod. #: **776-0106** Polished chrome



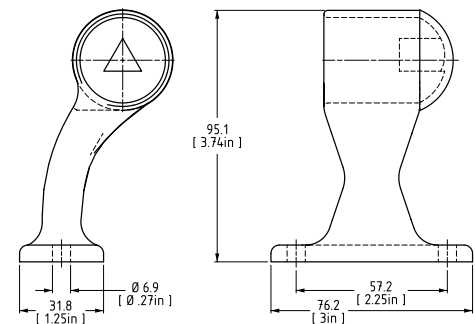
**30° Left end stanchion**

Prod. #: **776-5584** Polished chrome



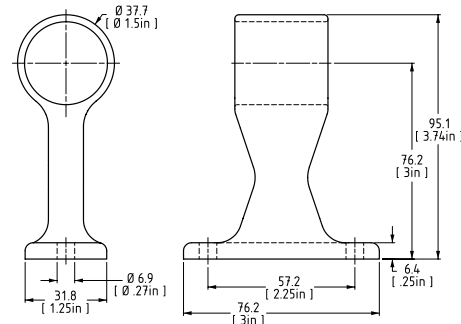
**30° Right end stanchion**

Prod. #: **776-5577** Polished chrome



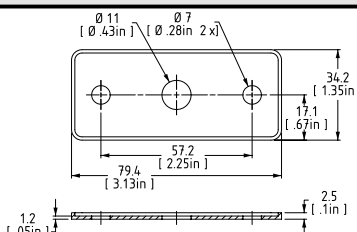
**Center support**

Prod. #: **776-0071** Polished chrome



**Mounting gasket**

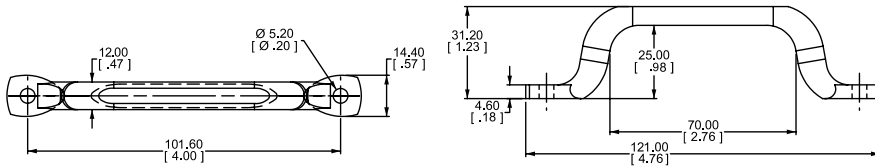
Prod. #: **776-0201**



REV. 01/2011

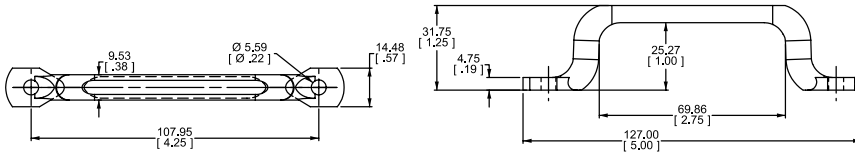
## Drawer pull

Prod. #: **682-1130** Zinc plated — Formed steel



## Drawer pull

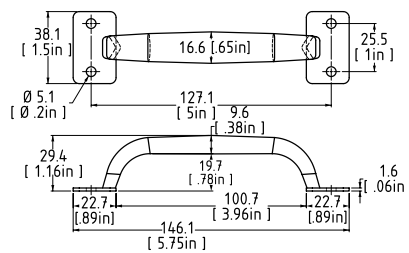
Prod. #: **690-0495** Zinc plated — Formed steel



## Drawer pull

Prod. #: **682-0225**

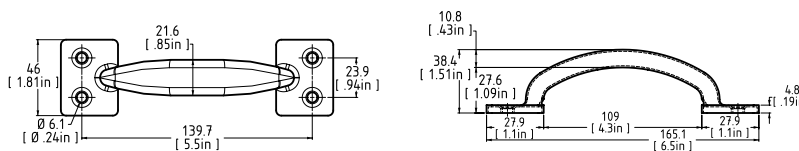
Without edge  
Zinc plated, with holes  
Pressed steel



## Drawer pull

Prod. #: **451-5561**

With edge  
Zinc plated, with holes  
(screws included)  
Pressed steel



REV. 04/2012

**Spring loaded chest handle**

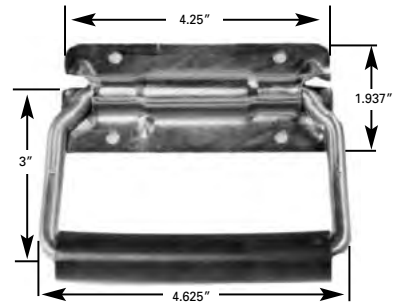
Prod. #: **776-8017**

Yellow zinc chrome

SERIES 8010



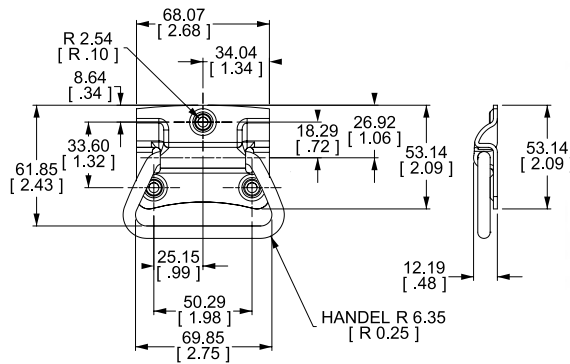
BENT



**Steel chest handle**

Prod. #: **682-3071**

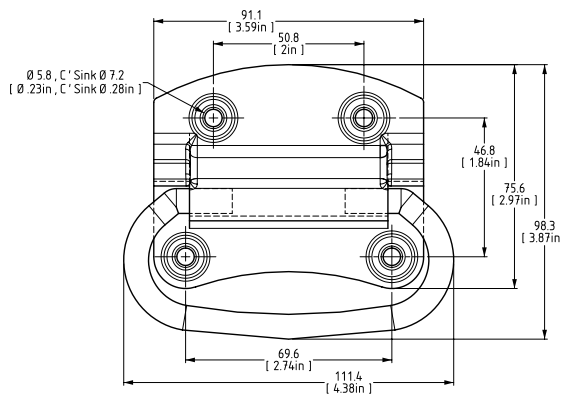
Zinc plated (screws included)



**Steel chest handle**

Prod. #: **682-0144**

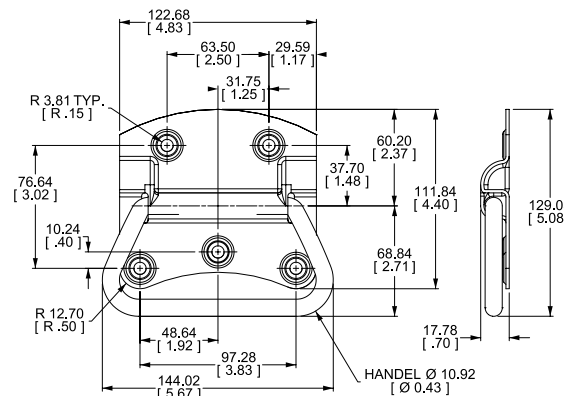
Zinc plated (screws included)



**Steel chest handle**

Prod. #: **682-0151**

Zinc plated (screws included)



REV. 01/2011

A large grid of graph paper for taking notes, consisting of 20 columns and 40 rows of small squares.

□ = 1/4"