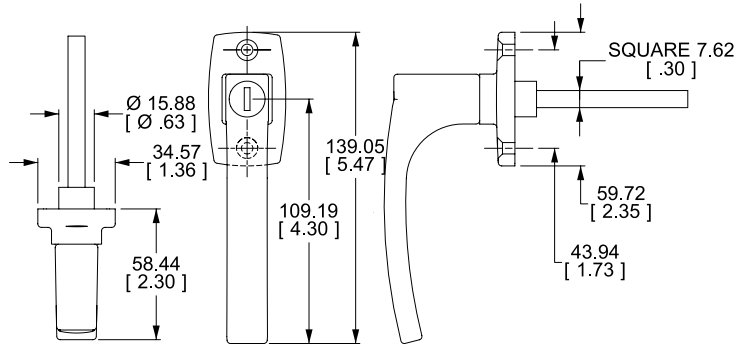


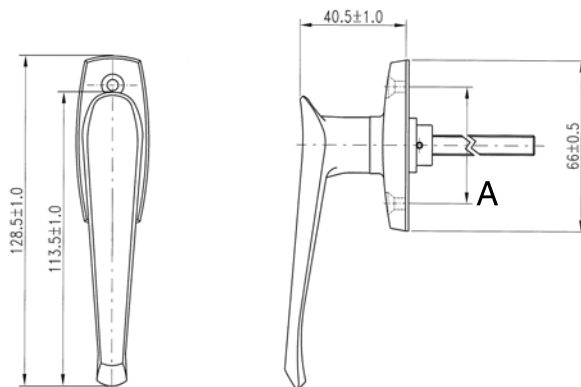
Locking "L" handle



Supplied with mounting gasket

Prod. #	Mount	Locking	Dust Trap	Rotation 360°	Center to Center Mounting	Shaft Length ( $5/16$ " dia.)	Finish	Keys
670-7420	Front	Yes	Yes	Free rotation	1 $3/4$ "	3"	Handle top polished chrome	Assorted

Locking and non-locking "L" handles



Supplied with mounting gasket

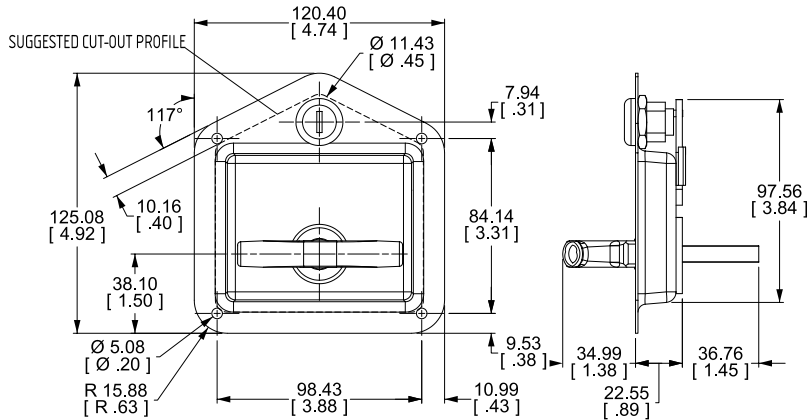
Prod. #	Mount	Locking	Dust Trap	Rotation 360°	Center to Center Mounting A	Shaft Length ( $5/16$ " dia.)	Finish	Keys
670-0087	Front	Yes	Yes	Free rotation	1 $1/2$ "	3"	Chrome	Assorted
670-0094	Front	Yes	Yes	Free rotation	1 $3/4$ "	3"	Chrome	Assorted
670-0224	Front	Yes	Yes	Free rotation	1 $3/4$ "	5"	Chrome	Assorted
680-0042	Front	No	No	Free rotation	1 $1/2$ "	3"	Chrome	None
680-0067	Front	No	No	Free rotation	1 $3/4$ "	3"	Chrome	None

REV. 11/2011

Stainless locking folding recessed "T" handle

Prod. #: 673-0395

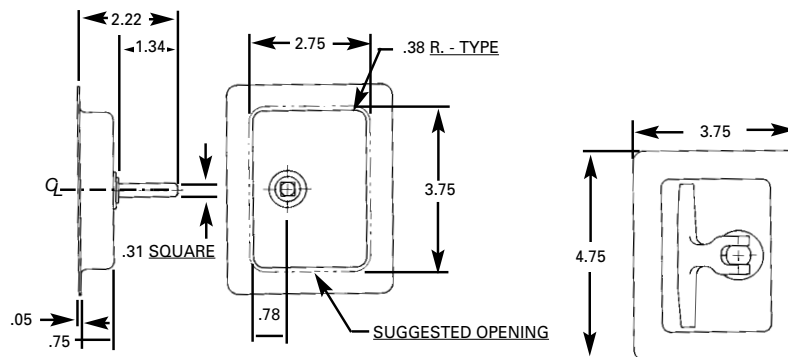
Stainless steel  
Shank: 5/16"  
Mounting gasket:  
623-1420



Non-locking folding recessed "T" handle

Prod. #: 683-0632

Zinc plated  
Overall dimensions: 3 3/4" x 4 3/4"  
Required opening: 2 3/4" x 3 3/4"



REV. 11/2011

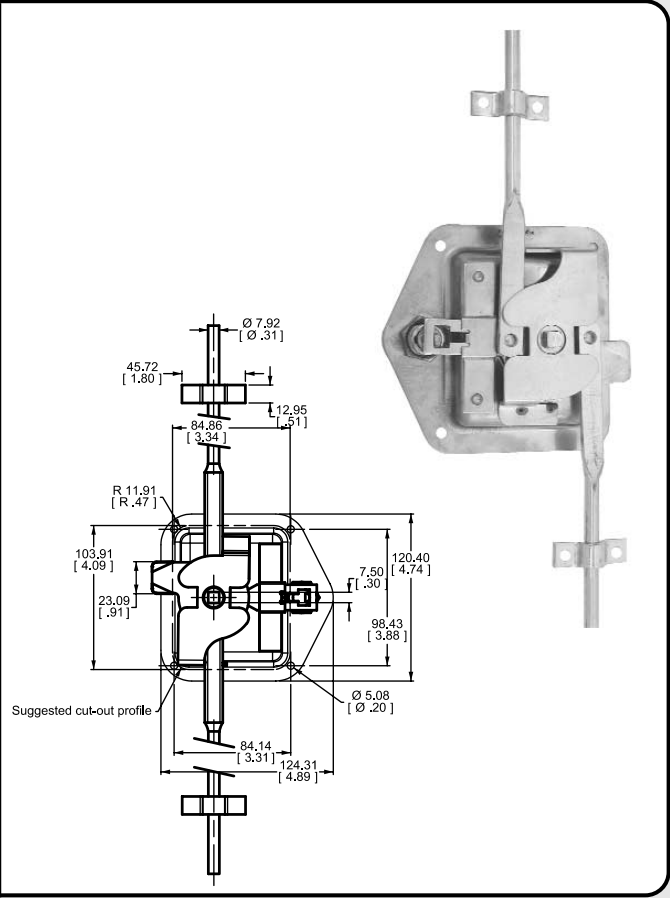
## Stainless 3-point "T" handle deadbolt locks

4.74" x 4.89" locking handle.

Prod. #	Description
698-6848	Stainless steel, six 1 <sup>1</sup> / <sub>64</sub> " mounting holes.
697-4242	Four 1 <sup>1</sup> / <sub>64</sub> " mounting holes (ill.) Assorted keys
697-0453	Four 1 <sup>1</sup> / <sub>64</sub> " mounting holes Key # 501

### Replacement parts:

Prod. #	Description
700-2007	Zinc plated 5 <sup>5</sup> / <sub>16</sub> " x 34" rod
700-5093	Zinc plated rod guide
697-5282	Cylinder key #501



**B**  
**LOCKS & LATCHES**

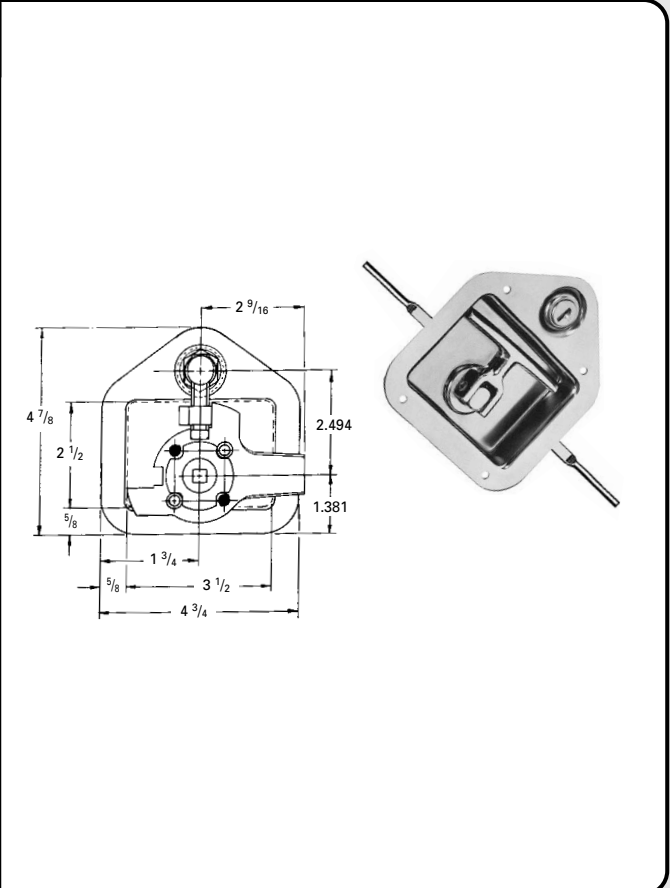
## 3-point "T" handle deadbolt locks

4.75" x 4.88" locking handle, 34" rods.  
Three point locks.

Prod. #	Rods	Description
698-3910	5 <sup>5</sup> / <sub>16</sub> "	Zinc plated (ill.)
698-3903	5 <sup>5</sup> / <sub>16</sub> "	Stainless steel, six 1 <sup>1</sup> / <sub>64</sub> " mounting holes.
698-1399	3 <sup>3</sup> / <sub>8</sub> "	Stainless steel, six 1 <sup>1</sup> / <sub>64</sub> " mounting holes.

### Replacement parts:

Prod. #	Description
698-1293	Zinc plated
698-3999	Stainless steel centre case, 5 <sup>5</sup> / <sub>16</sub> "
700-2007	Zinc plated 5 <sup>5</sup> / <sub>16</sub> " x 34" rod
700-5181	Zinc plated 5 <sup>5</sup> / <sub>16</sub> " x 48" rod
700-2060	Zinc plated 3 <sup>3</sup> / <sub>8</sub> " x 36" rod
700-2818	Zinc plated 3 <sup>3</sup> / <sub>8</sub> " x 48" rod
700-1719	Zinc plated rod guide
673-3780	Cylinder key # 504 (Slide bar sold separately)
673-3879	2 1 <sup>1</sup> / <sub>8</sub> " slide bar



REV. 11/2011

## Compression cam lock

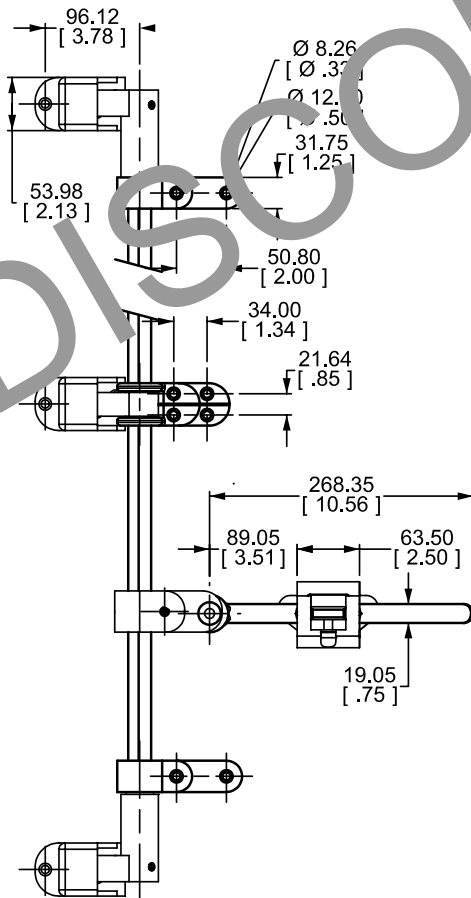
Prod. #: **701-1001** 3-points

Zinc plated

5/8" x 96" square rod (included).

Ideal for refrigerated units. Provides maximum sealing around doors.

Requires no welding for assembly. The lock cams and handle are attached with set screws.



REV. 11/2011

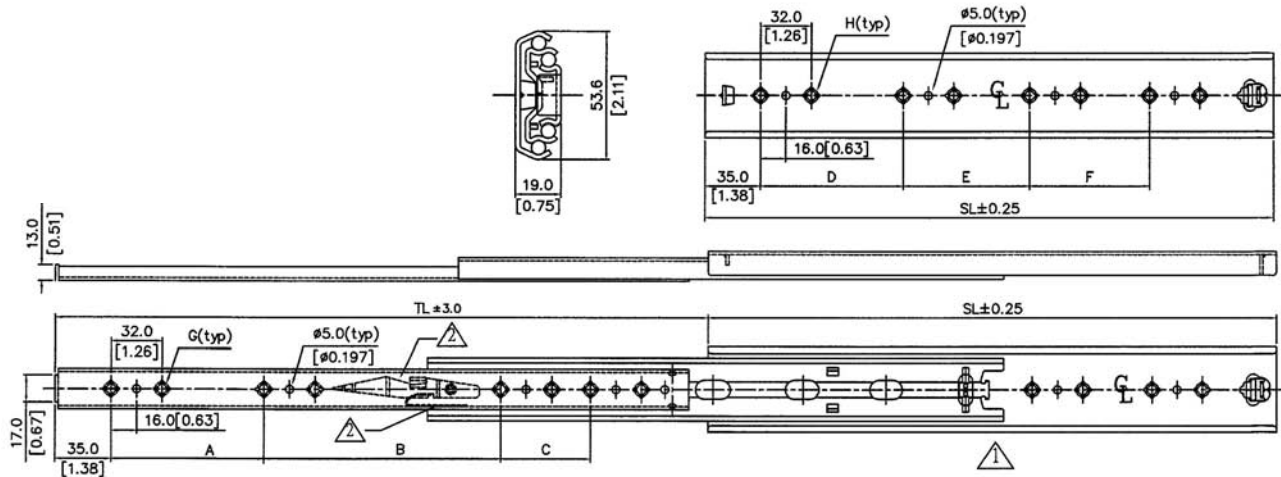
**Heavy-duty drawer slides (250 lbs Series)**

**LEVER DISCONNECT**



**(Sold per pair)**

- With Metal Lever Disconnect
- Side clearance:  $\frac{3}{4}$ " (19.05 mm) plus  $\frac{1}{64}$ ", minus 0" each side
- Height:  $2 \frac{7}{64}$ "
- Zinc plated
- Some parts may be lead time items. Consult our sales department for availability.



Prod. #	Size	Slide Travel mm	A mm	B mm	C mm	D mm	E mm	F mm
776-2262	12"	328.0	192.0			192.0		
776-3019	14"	377.0	224.0			224.0		
776-2181	16"	426.0	96.00	192.0		160.0	128.0	
776-2047	18"	475.0	128.0	192.0		192.0	128.0	
776-2199	20"	525.0	160.0	224.0		224.0	160.0	
776-2086	22"	574.0	160.0	256.0		224.0	192.0	
776-2255	24"	623.0	192.0	256.0		256.0	192.0	
776-2128	26"	672.0	224.0	256.0		288.0	192.0	
776-2135	28"	721.0	256.0	256.0		320.0	192.0	
776-2167	30"	771.0	224.0	224.0	160.0	224.0	224.0	160.0
776-2015	32"	820.0	224.0	224.0	224.0	224.0	224.0	224.0
776-1981	34"	869.0	256.0	256.0	192.0	256.0	256.0	192.0
776-1893	36"	918.0	256.0	256.0	256.0	256.0	256.0	256.0

REV. 11/2011

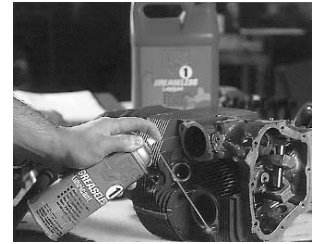
**LPS1**

Prod. #: 940-1092

**Greaseless lubricant**

Can be used even for delicate mechanisms. Resists the accumulation of dust and dirt. Dries out electronic and electrical systems in a few seconds. Penetrates and rapidly loosens frozen parts. Non-staining and will not damage rubber, paint or plastic.

- Approved by Agriculture Canada for use in food processing plants.
- Inverta Spray Valve allows one to spray in an upright or inverted position.
- 312 g aerosol spray.
- Also available in 3.78 l, 18.93 l, 208 l and 591 ml trigger spray containers from LPS.



Sold per case of 12 only.

**LPS2**

Prod. #: 940-1102

**Industrial strength lubricant**

Multi-purpose lubricant leaves a medium deposit of oil. Prevents rust. Rapidly penetrates rust and frozen components. Will not damage rubber, paint or plastic. Provides up to one year of protection.

- Inverta Spray Valve allows one to spray in an upright or inverted position.
- Approved by Agriculture Canada for use in food processing plants.
- 312 g aerosol spray.
- Also available in 3.78 l, 18.93 l, 208 l and 591 ml trigger spray containers from LPS.



Sold per case of 12 only.

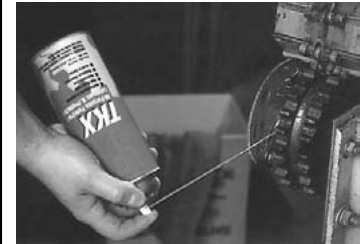
**TKX**

Prod. #: 940-1046

**Lubricant, penetrant, all-purpose protectant**

- Leaves a light coating of oil.
- Can be used inside and outside.
- Displaces moisture.
- Loosens rusted or frozen parts.
- Protects against corrosion.
- Flash point 175°F.

- Does not contain chlorinated solvents or silicone.
- Does not damage fabrics, rubber, paints or plastics.
- Inverta Spray Valve.
- 312 g aerosol spray.
- Also available in 3.78 l, 18.93 l and 208 l containers from LPS.



Sold per case of 12 only.

**LPS-3 Heavy-duty rust inhibitor**

Prod. #: 940-1060



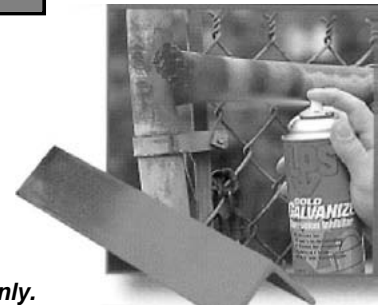
Sold per case of 12 only.

Forms a waxy antirust coating which provides excellent protection against rust and corrosion. Resistant to humidity. Does not damage rubber, paint or plastics.

- Protects up to two-year.
- Approved by Agriculture Canada for use in food processing plants.
- Meets the following specifications:
  - Boeing BMS-3-23F Type II
  - MIL-C-0083933A, para. 3.2-3.16
  - MIL-C-16173D Grade 2 Class I
  - DMS 2150
  - Airbus TN A. 007.10138 Type 1 Grade 2
- 312 g aerosol spray.
- Also available in 3.78 l, 18.93 l, 208 l and 591 ml trigger spray containers from LPS.

**Cold galvanize**

Prod. #: 940-1085 (Aerosol, 397 g)



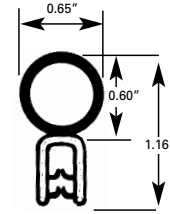
Sold per case of 12 only.

- Galvanized, 95% pure zinc coating.
- Can be used on rusted metal.
- Does not yellow.
- Does not chalk.
- Does not peel.
- Approved by Agriculture Canada for use in food processing plants.

REV. 11/2011

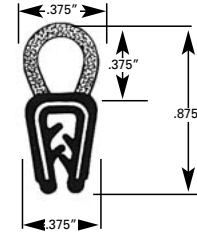
Edge trims with weatherstrip

Prod. #	Color	For material up to	Roll
623-1357	Black	1/16"	25' (7.6 m)
623-4566	Black	1/8"	25' (7.6 m)



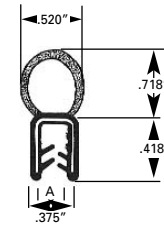
Edge trim with weatherstrip

Prod. #	Color	For material up to	Roll	Scissors icon
623-4460	Black	1/8"	164' (50 m)	min: 25' (7.6 m)



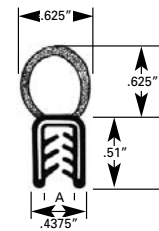
Edge trim with weatherstrip

Prod. #	Color	For material up to	Roll	Scissors icon
622-4455	Black	1/8"	100' (30.5 m)	min: 25' (7.6 m)



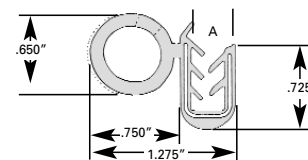
Edge trim with weatherstrip

Prod. #	Color	For material up to	Roll	Scissors icon
623-4414	Black	1/8"	164' (50 m)	min: 25' (7.6 m)



Edge trim with weatherstrip

Prod. #	Color	For material up to	Roll	Scissors icon
623-0138	Black	1/4"	300' (90 m)	min: 25' (7.6 m)



REV. 11/2011

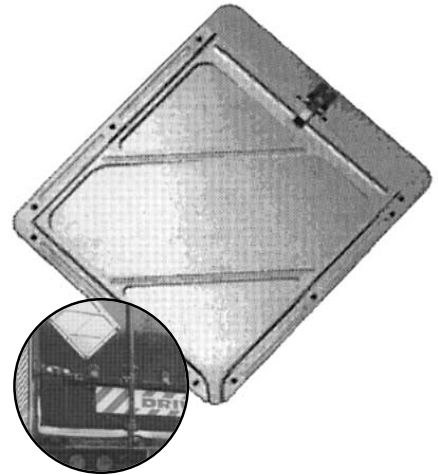
F

RUBBER PRODUCTS

**Placard holders**

Slide-N-Glide holders are made of 0.032" anodized aluminum. The installation holes are pre-drilled for quick mounting. The rounded corners ensure the safe use and handling of the holder. The unique designed back panel fitted with ridges allows the placard to be easily removed from the holder over the clip from above. The stainless steel clips function flawlessly over thousands of placard changes. The sturdy construction provides maximum performance and durability for years of use on the road. An affordable way to comply with the requisite warnings for hazardous materials on vehicles.

Prod. #	Dimensions	
776-2008	12 1/2" X 14 1/8"	Anodised aluminum
776-0258	12 1/2" X 14 1/8"	White painted aluminum
776-0995		Clip only



**Small stainless steel placard holder**

Prod. #	Dimensions	
776-0032	11 7/8" X 14 1/2"	Stainless steel



**Rotary placard holder**

Prod. #: **776-3146** White painted aluminum

Two flip charts: 1202 and 1203



**Cables**

Prod. #		Length
708-0157	Galvanized steel	110"
708-1739	Stainless steel	110"
708-0171	Galvanized steel	115"
708-0164	Galvanized steel	130"

3/8" eyelet  
Sold in multiples of 25.



REV. 11/2011

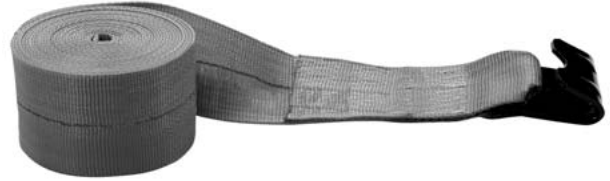
\* Personalize your straps with your logo .

### Winch straps with flat hook

Prod. #: **784-1563**

30' long  
3" webbing  
Working load limit: 2,450 kg/5,400 lbs.

Superior built, specially made to keep their structure throughout their use.



### Winch strap with chain and hook

Prod. #: **784-1595**

30' long  
3" webbing  
Working load limit: 2,450 kg/5,400 lbs.

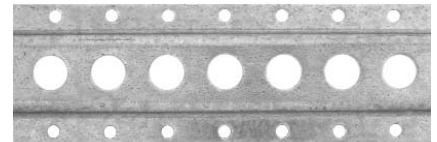
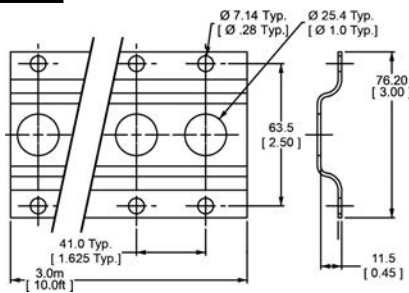
Superior built, specially made to keep their structure throughout their use.



### Track with round holes

Prod. #: **784-6000**

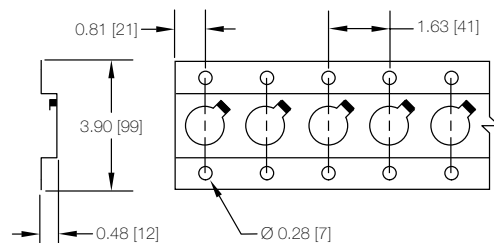
1" hole  
10' long X 3"  
0.74" thick.  
Galvanized steel track  
Minimum yield: 43,000 psi



### Track with notched holes

Prod. #: **784-0633**

1" notched hole  
10' long  
High strength galvanized steel.  
12 gauge  
Minimum yield: 43,000 psi



REV. 11/2011

CARGO CONTROL SUPPLIES

**K**

## SPITFIRE wide angle reflectors

50% wide angle of reflectivity compared to conventional reflectors.  
Ultra-thin design, only 0.012" thick with high strength adhesive backing mounts on flat or curved surfaces.  
Easy to install and stays in place. 47,000 microprisms per square inch for superior candle power.  
Exceeds DOT specifications.

### 2 7/8" diameter

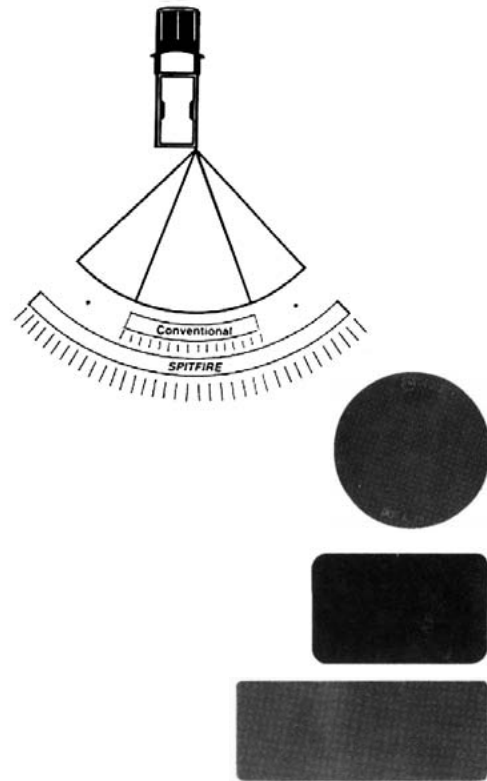
Prod. #	Color
840-2382	Amber
840-2375	Red

### 1 3/4" x 2 3/4" rectangular

Prod. #	Color
840-2417	Amber
840-2424	Red

### 1 11/16" x 4 5/16" rectangular

Prod. #	Color
840-2368	Amber
840-2350	Red



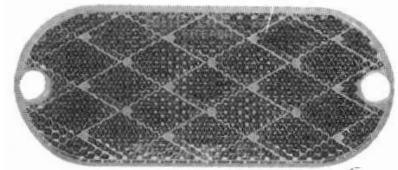
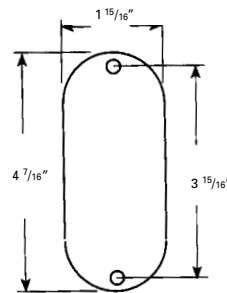
## Sealed oblong reflectors

With holes for screws.

Prod. #	Color
840-4118	Amber
840-4125	Red

With adhesive backing for quick and permanent mount.

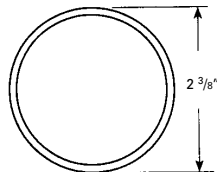
Prod. #	Color
835-6344	Amber
835-6062	Red



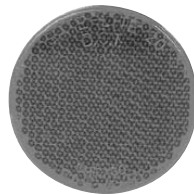
• Some parts may be lead time items. Consult our sales department for availability.

## Round quick-mount reflector

Prod. #: 840-4132	Amber
Prod. #: 840-4157	Red



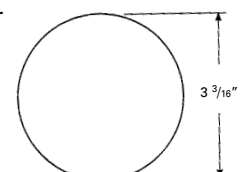
2 3/8" diameter with adhesive back for quick and permanent mount.



• Some parts may be lead time items. Consult our sales department for availability.

## Round quick-mount reflector

Prod. #: 840-4076	Amber
Prod. #: 840-4083	Red



3 3/16" diameter with adhesive back for quick and permanent mount.



• Some parts may be lead time items. Consult our sales department for availability.