

**Locking handles**

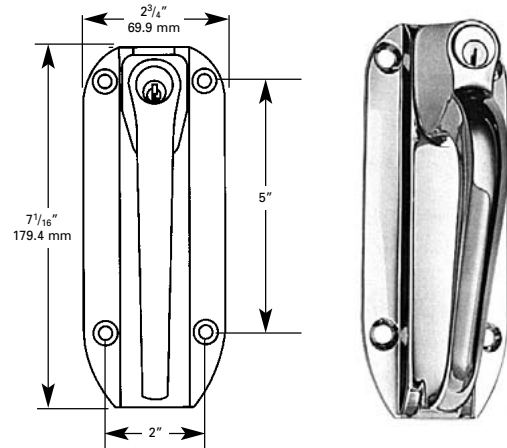
Chrome

2 sizes of shank of 3 3/4" as well as 2 types of cylinder.

Prod. #	Shank	Type	Removable cylinder
670-7935	5/16"	P	Yes
670-2077	5/16"	S	No
670-7928	3/8"	P	No
670-0009	3/8"	S	No

P type: Locks when push-button is depressed.  
S type: Key required to lock.

Replacement cylinder: 709-0395

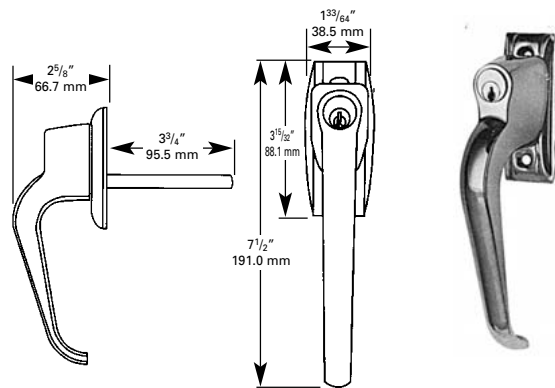


**Locking push-button handle**

Chrome

Prod. #	Shank	Type	Removable cylinder
670-7942	5/16"	Push button	Yes

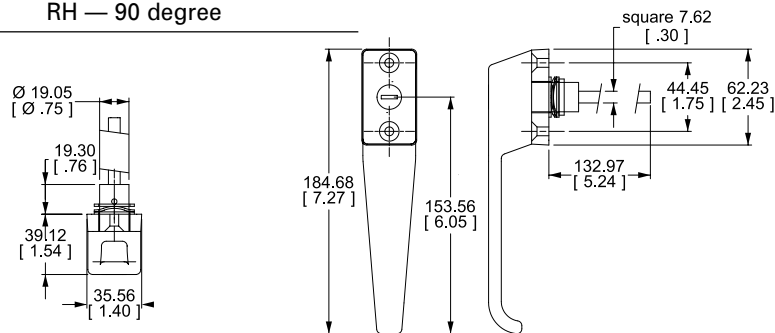
Replacement cylinder: 709-0395



**Heavy duty locking handles**

Not push-button

Prod. #	Shank	Description
672-0277	19/64"	LH — 90 degree
672-0252	19/64"	RH — 90 degree

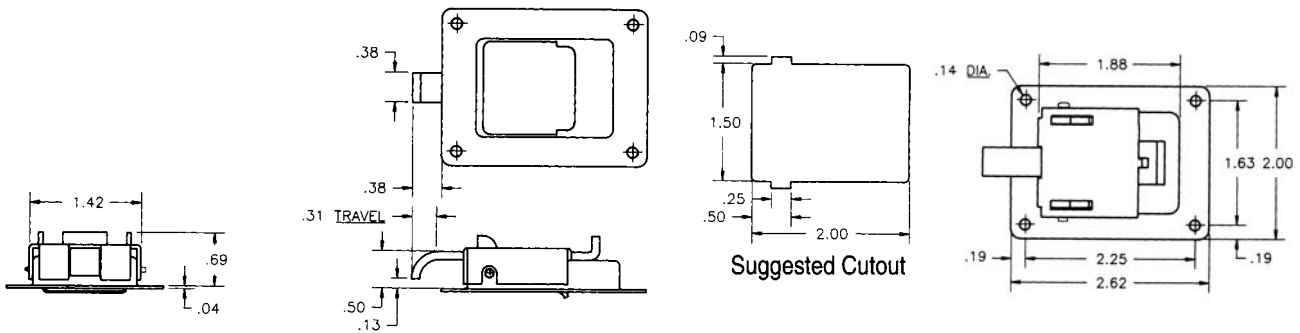


REV. 01/2012

## Mini tool box lock

Prod. #: 696-5037

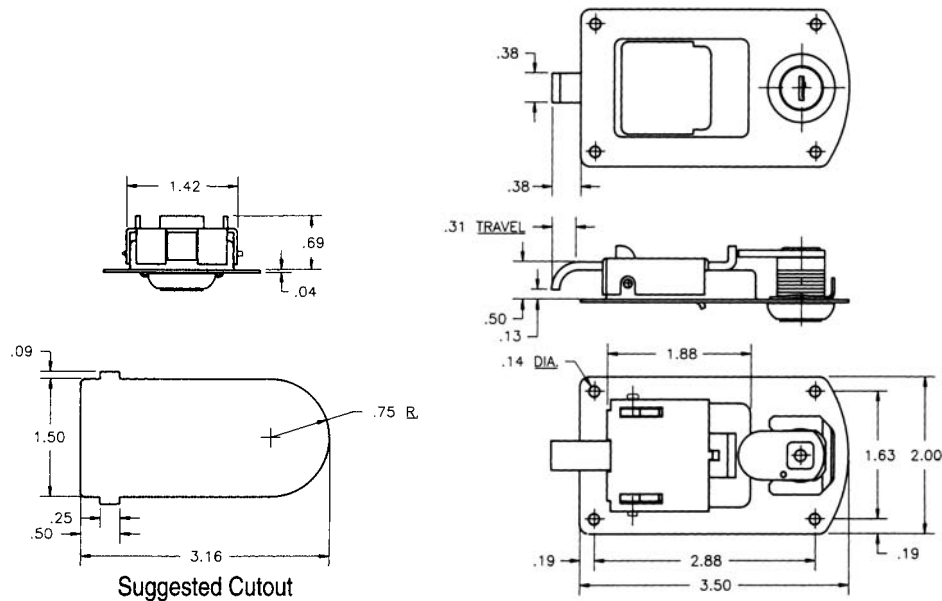
Ideal for small doors, electric panels and small cabinets.  
Non-locking  
2.62" x 2"  
Nickel  
4 mounting holes



## Mini tool box lock

Prod. #: 695-5014

Ideal for small doors, electric panels and small cabinets.  
Locking, key # CH 545  
3.50" x 2"  
Nickel  
4 mounting holes



REV. 01/2012

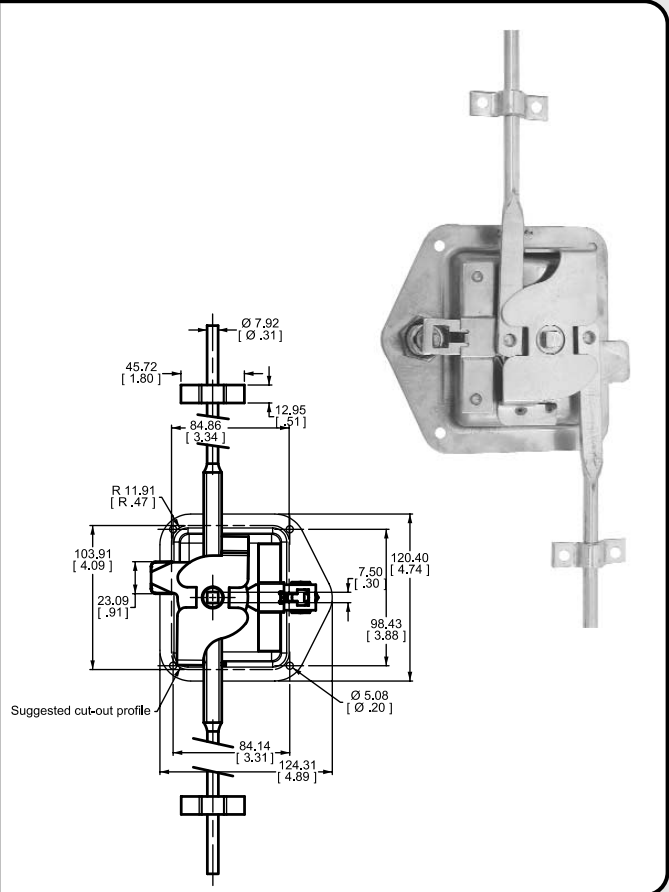
## Stainless 3-point "T" handle deadbolt locks

4.74" x 4.89" handle.

Prod. #	Description
698-6848	Non locking, stainless steel, six 1 <sup>1</sup> / <sub>64</sub> " mounting holes.
697-4242	Four 1 <sup>1</sup> / <sub>64</sub> " mounting holes (ill.) Assorted keys
697-0453	Four 1 <sup>1</sup> / <sub>64</sub> " mounting holes Key # 501

### Replacement parts:

Prod. #	Description
700-2007	Zinc plated 5/16" x 34" rod
700-5093	Zinc plated rod guide
697-5282	Cylinder key #501



**B**

**LOCKS & LATCHES**

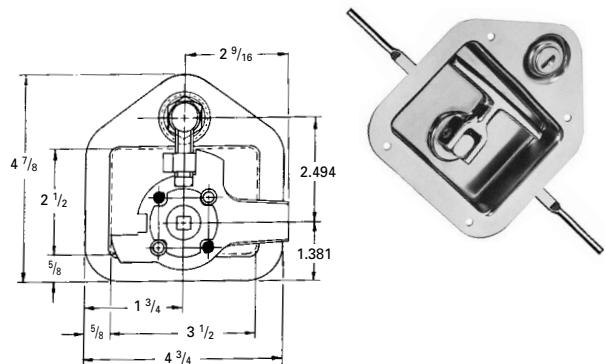
## 3-point "T" handle deadbolt locks

4.75" x 4.88" locking handle, 34" rods.  
Three point locks.

Prod. #	Rods	Description
698-3910	5/16"	Zinc plated (ill.)
698-3903	5/16"	Stainless steel, six 1 <sup>1</sup> / <sub>64</sub> " mounting holes.
698-1399	3/8"	Stainless steel, six 1 <sup>1</sup> / <sub>64</sub> " mounting holes.

### Replacement parts:

Prod. #	Description
698-1293	Zinc plated
698-3999	Stainless steel centre case, 5/16"
700-2007	Zinc plated 5/16" x 34" rod
700-5181	Zinc plated 5/16" x 48" rod
700-2060	Zinc plated 3/8" x 36" rod
700-2818	Zinc plated 3/8" x 48" rod
700-1719	Zinc plated rod guide
673-3780	Cylinder key # 504 (Slide bar sold separately)
673-3879	2 1/8" slide bar



REV. 01/2012

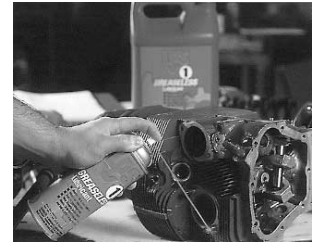
**LPS1**

Prod. #: 940-1092

**Greaseless lubricant**

Can be used even for delicate mechanisms. Resists the accumulation of dust and dirt. Dries out electronic and electrical systems in a few seconds. Penetrates and rapidly loosens frozen parts. Non-staining and will not damage rubber, paint or plastic.

- Approved by Agriculture Canada for use in food processing plants.
- Inverta Spray Valve allows one to spray in an upright or inverted position.
- 312 g aerosol spray.
- Also available in 3.78 l, 18.93 l, 208 l and 591 ml trigger spray containers from LPS.



Sold per case of 12 only.

**LPS2**

Prod. #: 940-1102

**Industrial strength lubricant**

Multi-purpose lubricant leaves a medium deposit of oil. Prevents rust. Rapidly penetrates rust and frozen components. Will not damage rubber, paint or plastic. Provides up to one year of protection.

- Inverta Spray Valve allows one to spray in an upright or inverted position.
- Approved by Agriculture Canada for use in food processing plants.
- 312 g aerosol spray.
- Also available in 3.78 l, 18.93 l, 208 l and 591 ml trigger spray containers from LPS.



Sold per case of 12 only.

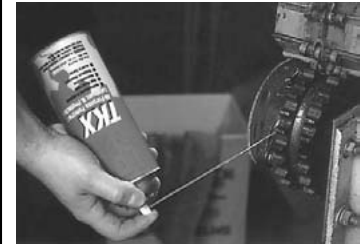
**TKX**

Prod. #: 940-1046

**Lubricant, penetrant, all-purpose protectant**

- Leaves a light coating of oil.
- Can be used inside and outside.
- Displaces moisture.
- Loosens rusted or frozen parts.
- Protects against corrosion.
- Flash point 175°F.

- Does not contain chlorinated solvents or silicone.
- Does not damage fabrics, rubber, paints or plastics.
- Inverta Spray Valve.
- 312 g aerosol spray.
- Also available in 3.78 l, 18.93 l and 208 l containers from LPS.



Sold per case of 12 only.

**LPS-3 Heavy-duty rust inhibitor**

Prod. #: 940-1060

Some parts may be lead time items. Consult our sales department for availability.



Sold per case of 12 only.

Forms a waxy antirust coating which provides excellent protection against rust and corrosion. Resistant to humidity. Does not damage rubber, paint or plastics.

- Protects up to two-year.
- Approved by Agriculture Canada for use in food processing plants.
- Meets the following specifications:
  - Boeing BMS-3-23F Type II
  - MIL-C-0083933A, para. 3.2-3.16
  - MIL-C-16173D Grade 2 Class I
  - DMS 2150
  - Airbus TN A. 007.10138 Type 1 Grade 2
- 312 g aerosol spray.
- Also available in 3.78 l, 18.93 l, 208 l and 591 ml trigger spray containers from LPS.

**Cold galvanize**

Prod. #: 940-1085 (Aerosol, 397 g)




Sold per case of 12 only.

- Galvanized, 95% pure zinc coating.
- Can be used on rusted metal.
- Does not yellow.
- Does not chalk.
- Does not peel.
- Approved by Agriculture Canada for use in food processing plants.

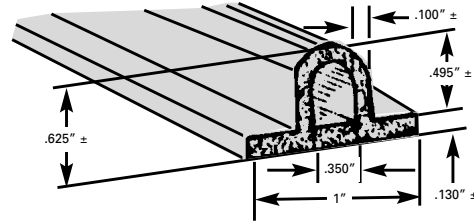
REV. 01/2012

**Rubber weatherstrips**

Low density closed-cell neoprene rubber weatherstrip. Hollow section compresses to 1/4", allowing for tolerances in door adjustment.

Prod. #	Roll	
623-0258	600' (183 m)	min: 25' (7.6 m)
623-1156*	600' (183 m)	min: 25' (7.6 m)

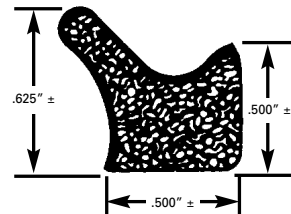
\* Self adhesive.



**Rubber weatherstrips**

Universal weatherstrip made of closed-cell neoprene rubber.

Prod. #	Roll	Box:
623-0025	50' (15.2 m)	600' (183 m)

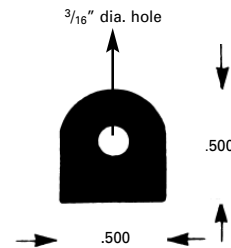


**Rubber weatherstrip**

Prod. #: **623-5009**


EPDM self adhesive weatherstrip.

Roll: 100' (30.1 m)

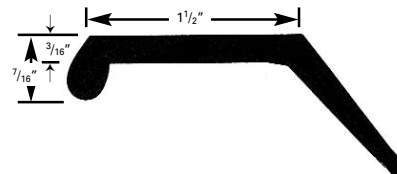


**Garage door rubber weatherstrip**

Garage door rubber weatherstrip made of high quality rubber. Remains flexible in cold weather. Better than similar vinyl products.

Prod. #	Roll	
623-0240	100' (30.1 m)	min: 25' (7.6 m)

• Some parts may be lead time items. Consult our sales department for availability.



REV. 01/2012

**F**  
**RUBBER PRODUCTS**

**Closed cell, neoprene weatherstrips**

**Self-adhesive**

Widely used to seal and cushion doors on industrial cabinets, tractors and truck cabs and glass setting.

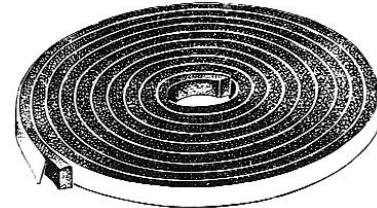
Oil and water resistant. Black.

UL94HF1 approved.

Meets FMVSS-302 and MIL-R-6130C standards.

(Also available with high tack glue. Used for powder coated metal. Minimum quantity required.)

Prod. #	Thickness	Width	Feet per	
			Roll	Case
623-7609	1/16"	1/2"	100'	2400'
623-7623	1/16"	1"	100'	1200'
623-7655	1/8"	3/8"	50'	1600'
623-7662	1/8"	1/2"	50'	1200'
623-7694	1/8"	3/4"	50'	800'
623-7704	1/8"	1"	50'	1200'
623-7711	1/8"	1 1/4"	50'	450'
623-7729	1/8"	1 1/2"	50'	400'
623-7736	1/8"	2"	50'	300'
623-7768	3/16"	3/8"	50'	1600'
623-7775	3/16"	1/2"	50'	1200'
623-7782	3/16"	3/4"	50'	800'
623-7817	3/16"	1"	50'	600'
623-7824	3/16"	1 1/2"	50'	400'
623-7831	1/4"	3/8"	37.5'	1200'
623-7849	1/4"	1/2"	37.5'	900'
623-7856	1/4"	3/4"	37.5'	600'
623-7863	1/4"	1"	37.5'	450'
623-7888	1/4"	1 1/2"	37.5'	300'
623-7895	1/4"	2"	37.5'	225'
623-7905	1/4"	3"	37.5'	150'
623-7937	5/16"	3/4"	30'	480'
623-7944	5/16"	1"	30'	360'
623-7951	5/16"	1 1/2"	30'	240'
623-7969	3/8"	1/2"	25'	600'
623-7976	3/8"	3/4"	25'	400'
623-7983	3/8"	1"	25'	300'
623-8017	3/8"	2"	25'	150'
623-8024	1/2"	1/2"	15'	360'
623-8049	1/2"	3/4"	15'	240'
623-8056	1/2"	1"	15'	180'
623-8070	1/2"	1 1/2"	15'	120'
623-8144	3/4"	3/4"	12.5'	200'
623-8151	3/4"	1"	12.5'	150'
623-8176	3/4"	1 1/2"	12.5'	100'



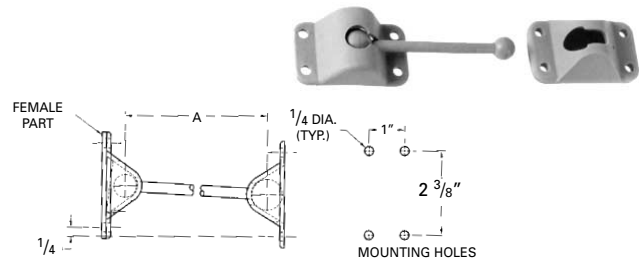
*Sold per case only.*

REV. 01/2011

## Door holders

- Prod. #: **771-0137** A: 4"
- Prod. #: **771-0144** A: 6"
- Prod. #: **771-0352** A: 10"

Gray thermoplastic

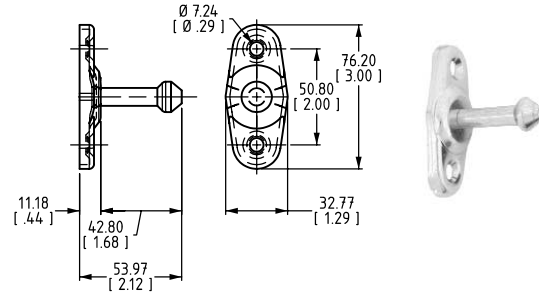


## Plunger type door holder

Prod. #: **771-5022**

Zinc plated  
2 1/8" long plunger (overall)

Minimum of 10



VARIOUS HARDWARE

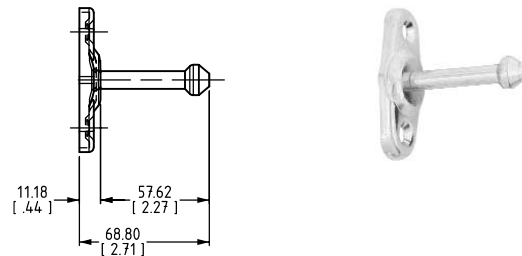
H

## Plunger type door holder

Prod. #: **771-5047**

Zinc plated  
2 11/16" long plunger (overall)

Minimum of 10

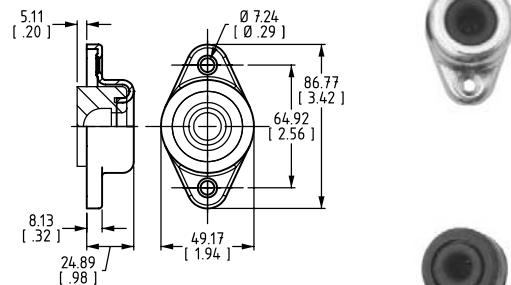


## Keeper for plunger type door holder

Prod. #: **771-5008**

Use with 771-5022 or 771-5047.

Minimum of 10



REV. 01/2012

**Translucent fiberglass skylight**


<sup>3</sup>/<sub>32</sub>" thick translucent fiberglass skylight brings daylight inside the van.  
Easy to install. The rubber mounting ring is completely sealed.

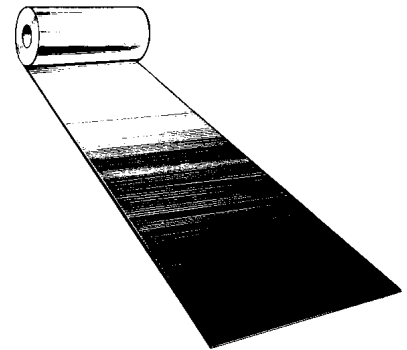
<b>Prod. #</b>	
775-0027	For 16 <sup>3</sup> / <sub>16</sub> " diameter opening



**Aluminum roof sheet**

Half-hard aluminum, with good corrosion resistance and easily formed.  
Alloy: 3003H16

Prod. #			Approx. weight/lbs. per linear foot	Weight/lbs. per inch
878-0070	102" X 0.032"	Sold per inch	3.80	0.32

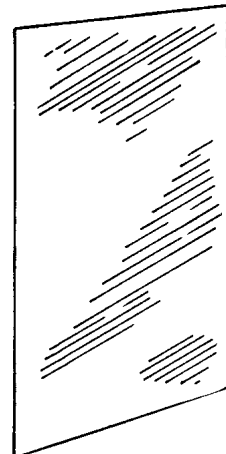


**Aluminum side panels**

Smooth polar white one side only.  
PVC covered

Prod. #	Width X length	Thickness	Approx. weight/lbs.
875-1351	49" X 79"	0.040"	15.59
875-1369	49" X 85"	0.040"	16.78
875-1383	49" X 97"	0.040"	19.14
875-1400	49" X 103"	0.040"	20.33
875-1496	49" X 110"	0.040"	21.71

Some parts may be lead time items.  
Consult our sales department for availability.



**TRUCK BODY COMPONENTS**



REV. 01/2012

## Sliding webbing winch

Prod. #: **784-0597**

For 2", 3" and 4" straps.  
Working load limit:  
2,500 kg/5,500 lbs.

Meets 905 and WSTDA-T3 requirements



## Sliding webbing winch

Prod. #: **784-5448**

For 2", 3" and 4" straps.  
Working load limit:  
2,450 kg/5,400 lbs.

Meets 905 and WSTDA-T3 requirements



## Low profile weld-on webbing winch

Prod. #: **784-7438**

For 2", 3" and 4" straps.  
Working load limit:  
2,500 kg/5,500 lbs.

Meets 905 and WSTDA-T3 requirements



CARGO CONTROL SUPPLIES

K

**Lashing winch**

Prod. #: **784-2782**

For 2" webbing  
Working load limit:  
1,513 kg / 3,335 lbs.



**Winch bars**

Prod. #: **784-3458** Black Length: 35"  
Prod. #: **784-5416** Chrome Length: 32 1/2"  
(Larger handle)



**Combination winch bar**

Prod. #: **784-1605**

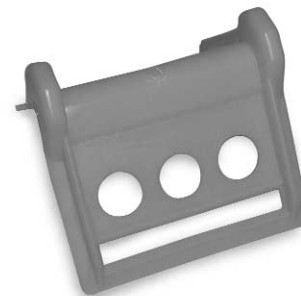
Painted  
Modified handle for use in tightening load binders.  
Length: 39"



**Plastic corner protector**

Prod. #: **784-8495**

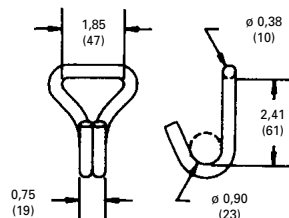
Designed to protect both cargo and strap.  
For 2" - 4" webbing



**2" Narrow hook**

Prod. #: **784-1387**

Working load limit:  
757 kg / 1,670 lbs.



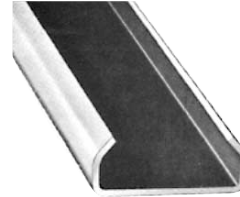
REV. 01/2012

\* Personalize your straps with your logo .

## Winch tracks

Prod. #: **784-0866** Steel  
Prod. #: **784-1531** Aluminum

1/4" thick track X 6' long  
To slide winch in desired position



## Winch straps with hook

Prod. #: **784-1806** 20' L  
Prod. #: **784-0785** 30' L

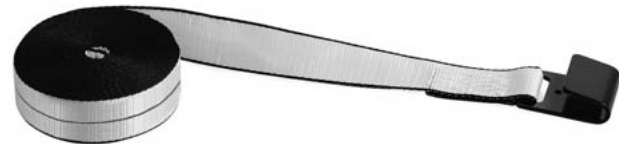
2" wide straps  
Working load limit: 757 kg/ 1,670 lbs.



## Winch straps with flat hook

Prod. #: **784-6804** 2" W  
Prod. #: **784-6730** 3" W  
Prod. #: **784-6924** 4" W

30' long straps  
2": Working load limit: 1,513 kg/ 3,335 lbs.  
3": Working load limit: 2,450 kg/ 5,400 lbs.  
4": Working load limit: 2,450 kg/ 5,400 lbs.



## Winch strap with chain and hook

Prod. #: **784-0009**

3" wide straps  
30' long  
Working load limit: 2,450 kg/5,400 lbs.

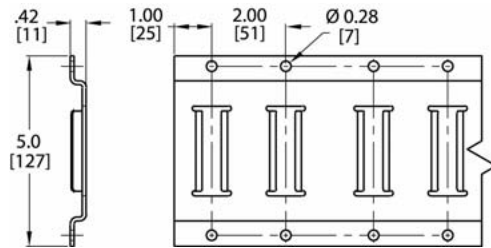
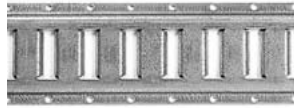


\* Personalize your straps with your logo .

## Series E horizontal track

Prod. #: **784-3909**

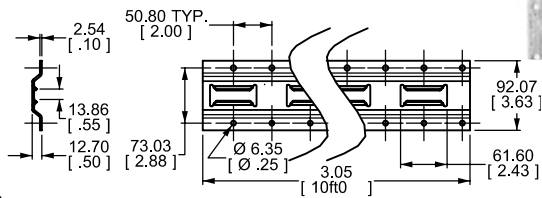
10' long  
High strength galvanized steel.  
12 gauge  
Minimum yield: 50,000 psi



## Series E vertical track

Prod. #: **784-6025**

10' long  
<sup>31</sup>/<sub>64</sub>" thick  
Galvanized steel  
Minimum yield: 43,000 psi

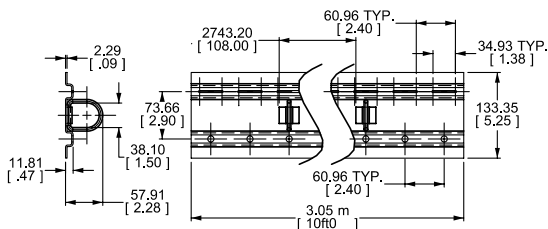
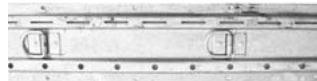


## Multi-purpose versatile rail system

Prod. #: **784-6258**

- Provides 10 convenient tie anchors
- Receives shoring bars

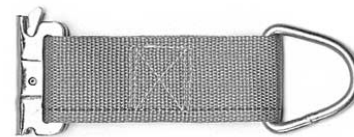
Track: 10' length x 5.25" wide  
Hot rolled galvanized steel 16 gauge.



## Rope tie-offs

Rope rings on a 6" strap. — Strap width: 2"

Prod. #	For track	Working load limit
<b>784-3916</b>	1" dia. holes	305 kg/ 670 lbs.
<b>784-6917</b>	Serie F	266 kg/ 586 lbs.
<b>784-3049</b>	Series E or A (ill.)	380 kg/ 835 lbs.



## Logistic strap with cam buckle

Prod. #: **784-1122** 12' L

Prod. #: **784-1147** 16' L

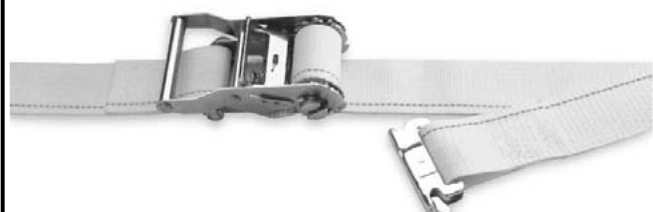
2" strap — 4' fixed end — Series E or A  
Working load limit: 380 kg / 835 lbs.



## Logistic strap with ratchet

Prod. #: **784-9040**

2" strap — 16' long — Series E or A  
Working load limit: 454 kg / 1,000 lbs.



CARGO CONTROL SUPPLIES

**K**

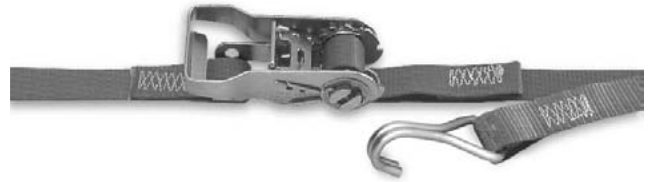
\* Personalize your straps with your logo .

**Ratchet strap and wire hook**

Prod. #: **784-0922**

1" strap  
13' long

Working load limit : 76 kg/ 167 lbs.  
Automotive / recreational strap



**Ratchet strap with wire hook**

Prod. #: **784-1669**

1" strap  
16' long

Working load limit : 380 kg/ 835 lbs.  
Automotive / recreational strap



**Ratchet straps with wire hook**

2" strap

Prod. #	Long	Length of fixed end	Handle	Working load limit
784-0760	12'	48"	Standard	757 kg/ 1,670 lbs.
784-0707	16'	48"	Standard	757 kg/ 1,670 lbs.
784-0739	20'	18"	Standard	757 kg/ 1,670 lbs.
784-0665	20'	48"	Standard	757 kg/ 1,670 lbs.
784-0908	20'	18"	Long and wide	757 kg/ 1,670 lbs.
784-2510	30'	18"	Standard	757 kg/ 1,670 lbs.
784-7011	30'	18"	Long and wide	757 kg/ 1,670 lbs.
784-1651	30'	18"	Long and wide	1,513 kg/3,335 lbs.



**Ratchet strap with flat hook**

Prod. #: **784-0640**

2" strap  
20' long  
18" fixed end

Long and wide handle  
Working load limit: 1,513 kg/3,335 lbs.



REV. 01/2012

### Round shoring bars

Prod. #: **784-5430** Adjustable: 79" to 93"

Prod. #: **784-0697** Adjustable: 92" to 106"

For 1" diameter holes

Round shoring bars with adjustable spring. — 1 5/8" diameter bar, for track with round holes. Shoring/horizontal or vertical rating: 227 kg/500 lbs. uniformly distributed working load limit.



### Heavy-duty series F square shoring bar

Prod. #: **784-1059** Adjusts from: 81" to 117"

Heavy-duty 2" square shoring bar  
Zinc plated steel  
For 1" diameter holes

Shoring/horizontal or vertical rating: 454 kg/1,000 lbs. uniformly distributed working load limit.



### Series E or A aluminum beam

Prod. #: **784-0055** For inside trailer width of: 92" to 102,9"

Aluminum decking/shoring beam

Shoring/horizontal or vertical rating: 999 kg/ 2,200 lbs. uniformly distributed working load limit.



### Heavy-duty series E or A aluminum beam

Prod. #: **784-2895** For inside trailer width of: 91,9" to 102,9"

Heavy-duty decking/shoring beam

Decking/vertical rating: 1,363 kg/ 3,000 lbs. uniformly distributed working load limit.  
Shoring/horizontal rating: 1,136 kg/ 2,500 lbs. uniformly distributed working load limit.



### Shoring bar with rubber pads

Prod. #: **784-0023** Adjusts from: 89,75" to 104,5"

Aluminum shoring bar with ratchet and anti-slip rubber pads.



REV. 01/2012

## Ratchet load binder

Prod. #: **780-1176**

For  $\frac{5}{16}$ " or  $\frac{3}{8}$ ", grade 70 chain  
Working load limit 2,450 kg/ 5,400 lbs.



## Ratchet load binder

Prod. #: **780-1190**

For  $\frac{3}{8}$ " or  $\frac{1}{2}$ ", grade 70 chain  
Working load limit 4,170 kg/ 9,200 lbs.

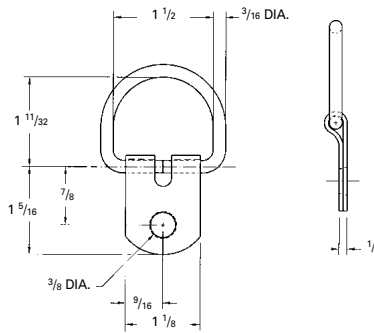


REV. 01/2012

## Stainless steel rope ring

Prod. #: **783-1082**

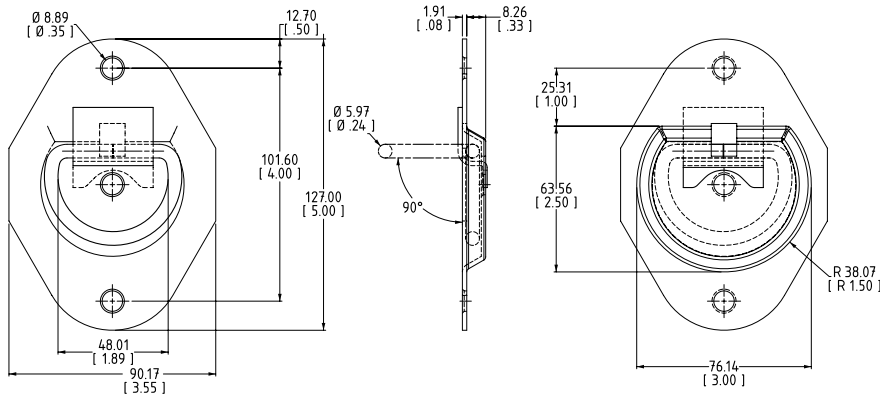
Stainless steel ring and bracket.  
Working load limit: 181 kg/ 400 lbs.



## Rope ring

Prod. #: **783-0057**

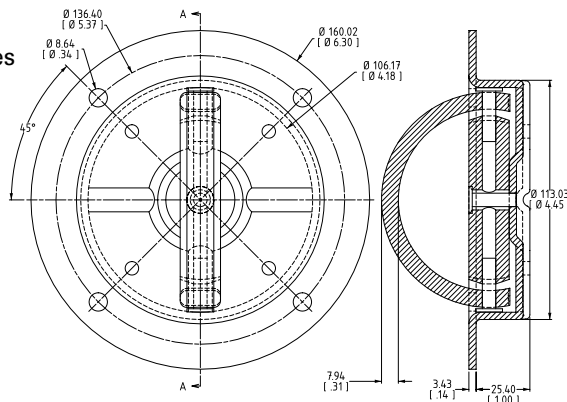
Zinc plated  
Maximum load: 454 kg/ 1,000 lbs.



## Heavy-duty rope ring

Prod. #: **783-2008**

Zinc plated with drain holes  
Working load limit:  
907 kg / 2,000 lbs.



CARGO CONTROL SUPPLIES

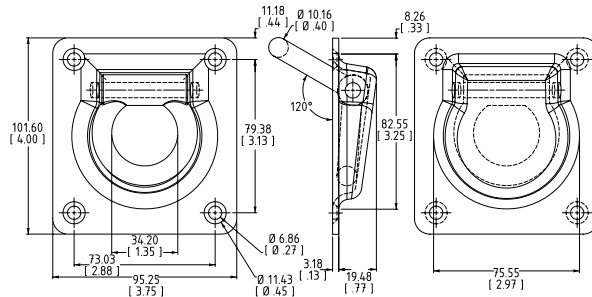
**K**

REV. 01/2012

**Rope ring**

Prod. #: **783-5087**

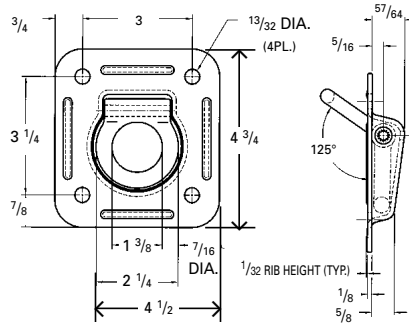
Zinc plated - Anti-rattle  
Maximum load:  
907 kg / 2,000 lbs.



**Rope ring**

Prod. #: **783-0184**

Zinc plated with  
large flange  
Maximum load:  
2,235 kg / 5,000 lbs.



**Forged lashing "D" rings**



Forged lashing "D" rings with bracket.

Prod. #:	Dimensions	Working load limit
a) 783-4189	0,5" x 2,5" x 2,375"	1 830 kg / 4 080 lbs.
b) 783-4171	0,5" x 2,5" x 2,375"	1 830 kg / 4 080 lbs.
c) 783-4125	0,625" x 4,25" x 4,25"	3 175 kg / 7 000 lbs.
d) 783-4100	0,75" x 4,5" x 4,5"	4 990 kg / 11 000 lbs.
e) 783-4118	1" x 6" x 5"	8 770 kg / 19 333 lbs.

REV. 01/2012